

**3/4" VOLUME CONTROL VALVE  
K-2977-K**

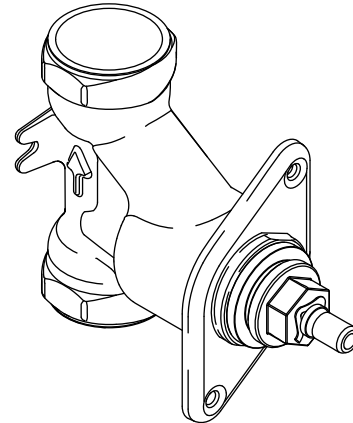
**Features**

- Forged brass valve body
- Single-handle volume control
- 3/4" quarter-turn washerless ceramic disc valves
- 3/4" NPT connections
- Intended for use with Kohler® thermostatic mixer valving

**Codes/Standards Applicable**

Specified model meets or exceeds the following:

- ASME A112.18.1/CSA B125.1



**Colors/Finishes**

- NA: None applicable

**Specified Model**

Model	Description	Colors/Finishes
K-2977-K	3/4" volume control valve	<input type="checkbox"/> NA

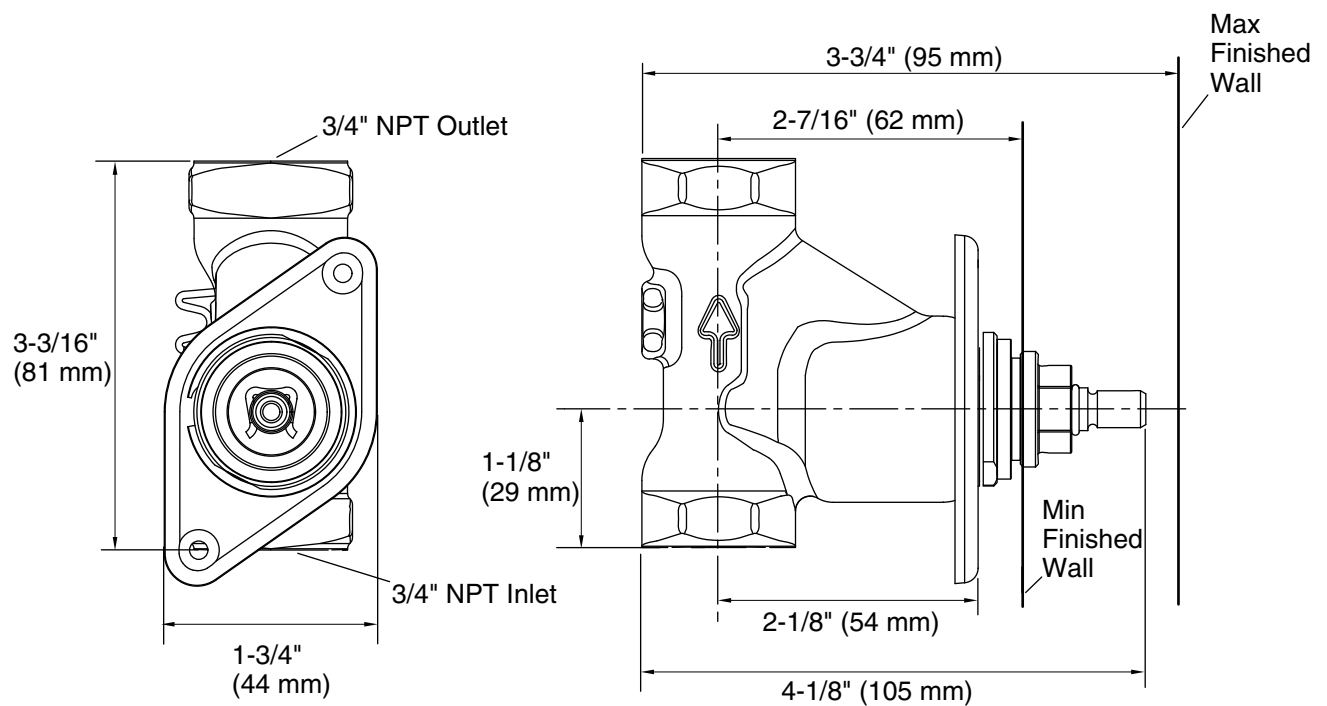
**Product Specification**

The volume control valve shall have a forged brass valve body. Product shall feature a 3/4" quarter-turn washerless ceramic disc valve, assuring positive handle stop positioning. Product shall have 3/4" NPT connections. Product shall feature single-handle volume control. Product is intended for use with Kohler thermostatic mixer valving. Product shall be Kohler Model K-2977-K-NA.

# MASTERSHOWER®

## Installation Notes

Install this product according to the installation guide.



### Product Diagram