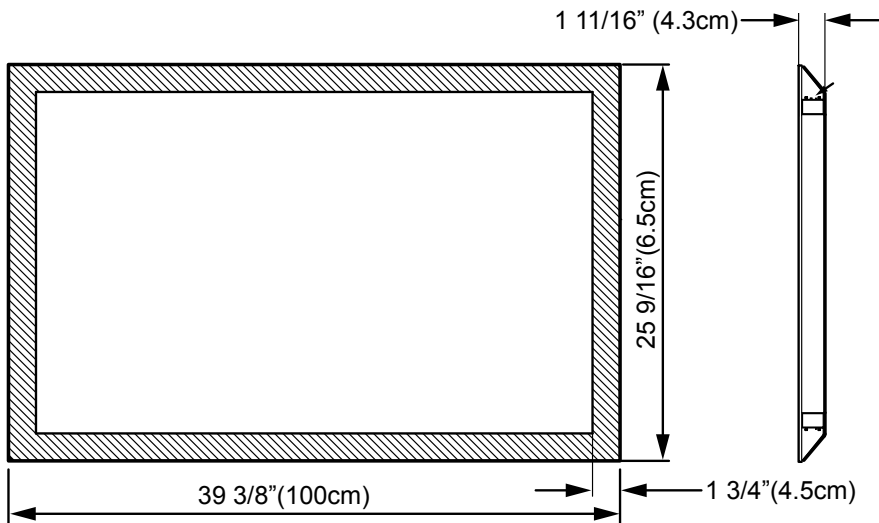


**23264IN-NF**

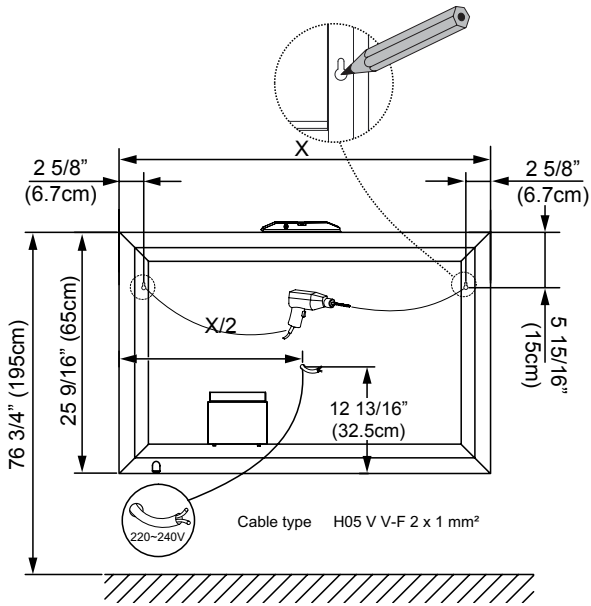
### PRODUCT DIMENSIONS



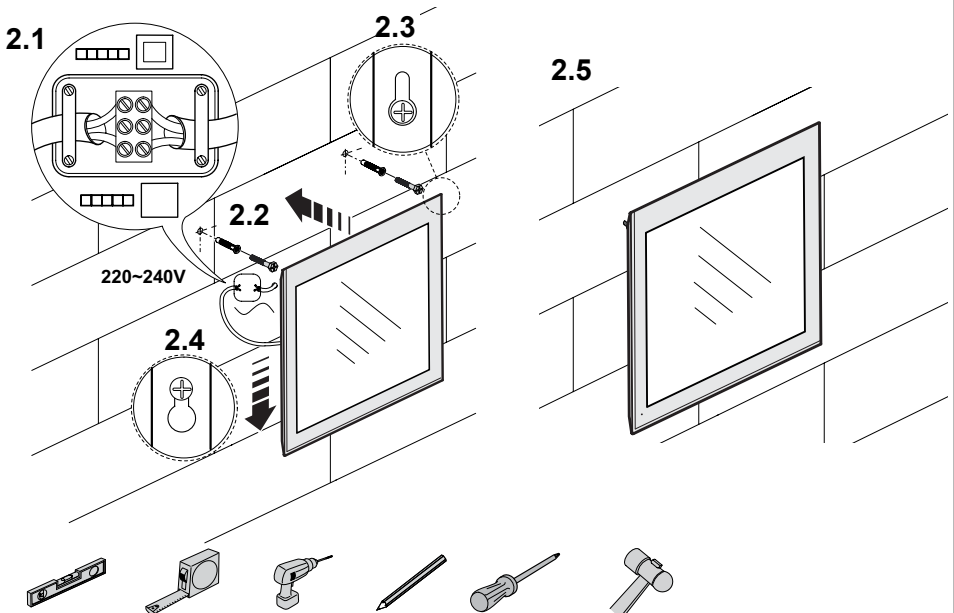
All dimensions are in Inch(cm).

## INSTALLATION INSTRUCTION

- 1 Locate the marking and drill the holes for mounting mirror on wall.



- 2 Make electrical connection as shown in image and mount mirror on the specified screws.



## USER MAINTENANCE

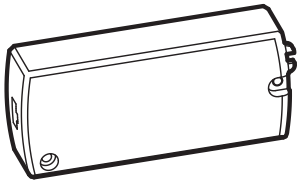


### **Warning! Risk of product damage.**

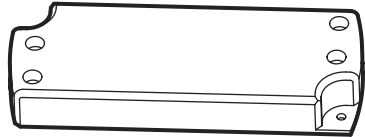
1. Many cleansers contain abrasive and chemical substance which is not suitable for cleaning stainless steel, enamel, plating or plastic products. You may use mild cleansers or soaps to clean the surfaces. Wipe any splashes of cleaner solutions from the surface with clean soft cloth.
2. Maintain ventilation in the bathroom, and separate the dry area from the damp one if conditions permit. Try to open the door and windows of the bathroom and maintain good ventilation.
3. Kohler mirrored cabinet are dealt with strict procedures for damp-proof, whose good damp-proof function ensures good performance even in bathroom of huge humidity. Yet do not splash and pour water directly on the mirrored cabinet. Make sure that the bathroom is not over damp and wipe any splashes from surfaces immediately.
4. Maintenance of door board: Clean and wipe door board regularly, and wipe the condensation vapor with dry and soft cloth.
5. The mirrored cabinet door and interior are constructed of mirror and aluminum. Use only a damp cloth to clean. Spray the cloth, not the mirror when cleaning. Mirrors are damaged by the use of ammonia or vinegar based cleaners. Rubbing alcohol can be used for stubborn stains.
6. Use no abrasive cleansers on any part of the mirrored cabinet.
7. The black frame should be cleaned with a damp cloth only.

## SPARE PARTS

S.NO	PART NUMBER	DESCRIPTION
1.	1323610	Sensor switch 902, Max loading 500W
2.	1327515	Driver SLT15-12VF-2S 15W Max, 12VDC, 0-1.25A



1323610



1327515

THE BOLD LOOK  
OF **KOHLER**®

### **Kohler India Corporation Pvt. Ltd.**

6th Floor, Office Tower, Ambience Island,  
NH-8, Gurugram-122002, Haryana, INDIA.

Customer Care : 1800 103 2244 (Toll Free) &  
+91-124-4319685 / 86

Email : [indiacustomer@kohler.com](mailto:indiacustomer@kohler.com)

Website: [www.kohler.co.in](http://www.kohler.co.in)

All information is based on the latest product information available at the time of publication. Kohler Co. reserves the right to make changes in product characteristics, packaging or availability at any time without notice.