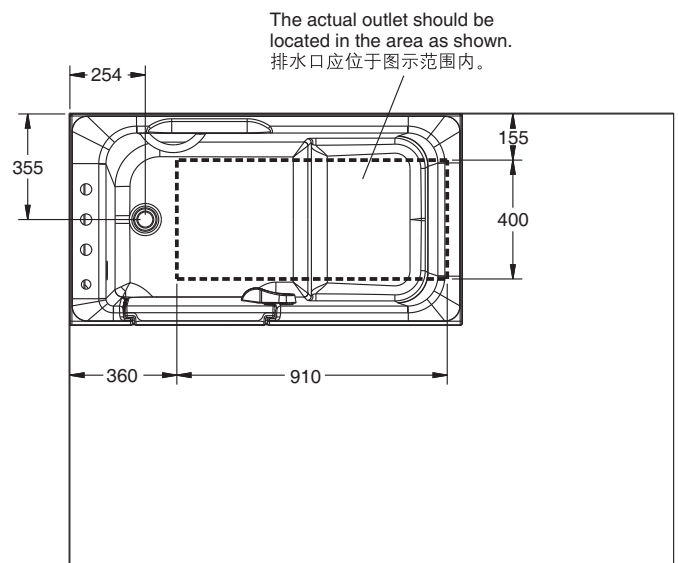
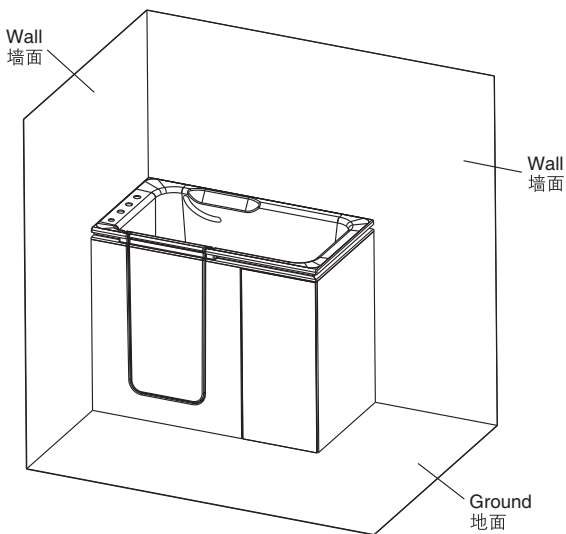
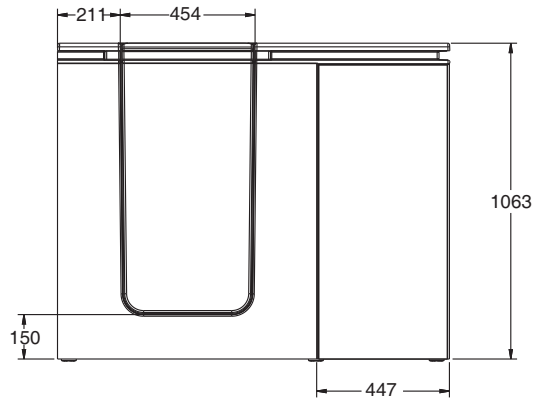
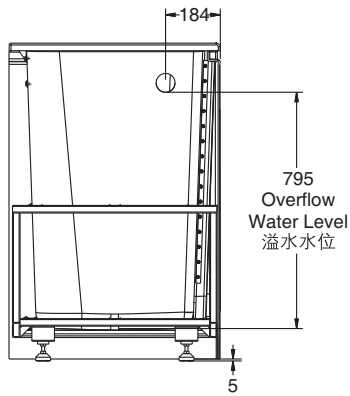
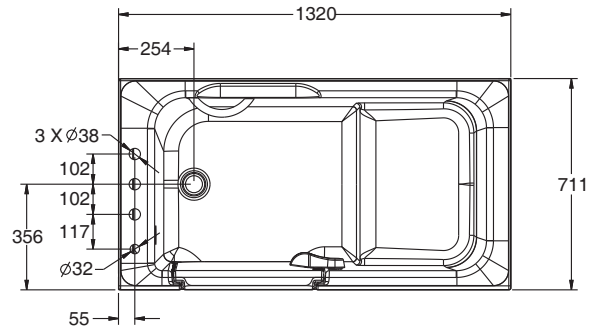


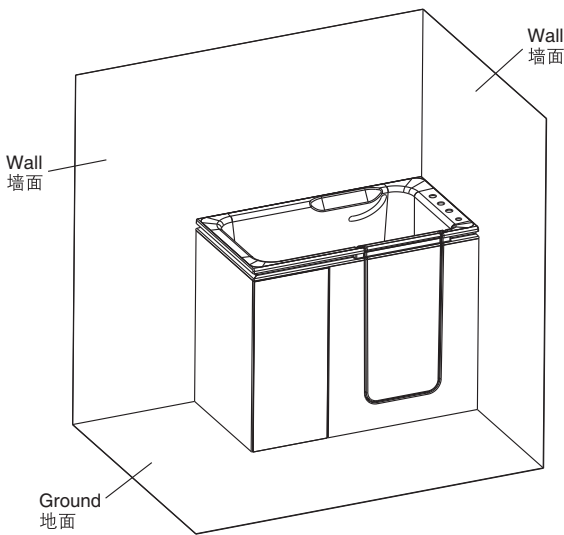
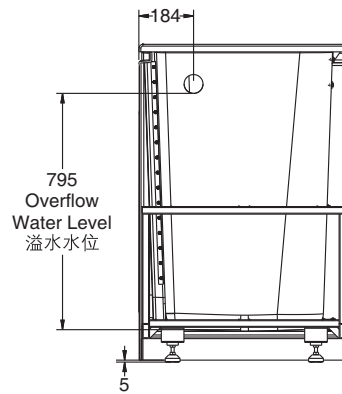
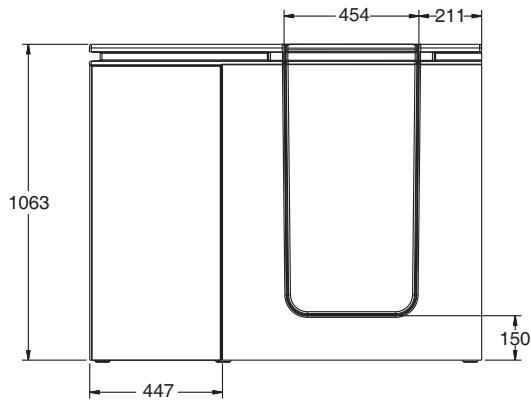
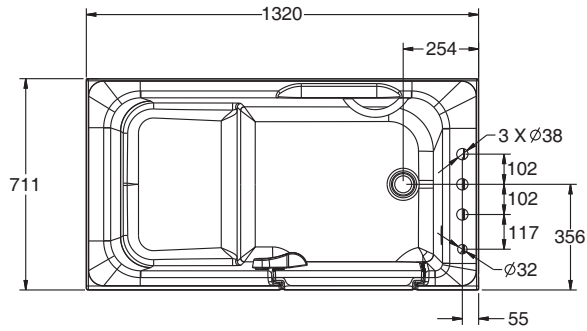
## BELAY WALK IN BATH 1.3m INTEGRATED, CN 贝灵步入式整体化浴缸(台阶150mm版)

LH (左开门) K-29720T-LCP  
RH (右开门) K-29720T-RCP

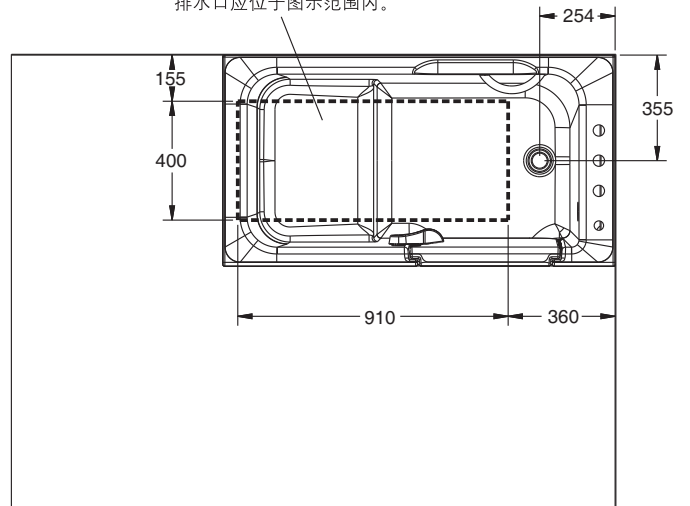
ROUGHING-IN 产品尺寸图 (Unit:mm) (单位:毫米)



K-29720T-LCP  
Installation Roughing-in  
左开门安装尺寸图



The actual outlet should be located in the area as shown.  
排水口应位于图示范围内。



K-29720T-RCP  
Installation Roughing-in  
右开门安装尺寸图

## PRODUCT INFORMATION 产品信息

Water Depth 深度 (To Overflow Hole Bottom 至溢水口底部)	795mm (毫米)
Capacity 水容量 (To Overflow Hole Bottom 至溢水口底部)	360L (升)
Basin Area 底部面积	1044mm (毫米) × 521mm (毫米)
Top Area 顶部面积	1117mm (毫米) × 582mm (毫米)

### Installation Notes 安装要点

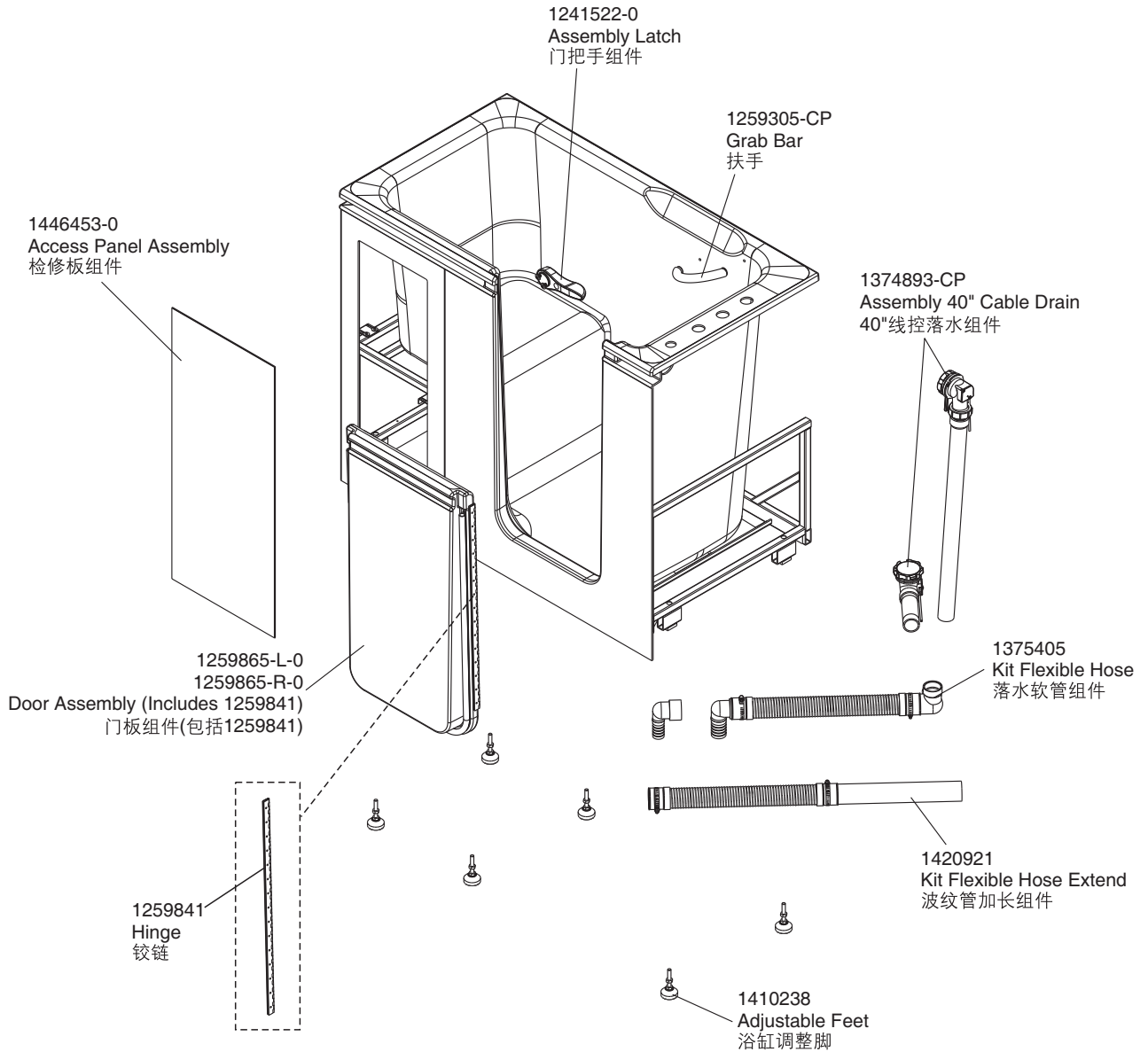
- Refer to installation instruction included with fixture before beginning installation.
- 开始安装前请参考浴缸包装中的安装说明书。
- Unless otherwise specified floor support under bath must provide for a minimum of 800kg loading (including the weight of bathtub, water and one user).
- 除非另有说明，否则浴缸下地面必须至少可以承载800kg的负载(包含浴缸、水及一名使用者的重量)。

### Included Accessory Information 包含配件信息

Assembly 40" Cable Drain 40"线控落水组件 .....	1374893-CP
Kit Flexible Hose 落水软管组件.....	1375405
Kit Flexible Hose Extend 波纹管加长组件.....	1420921

### Optional Accessory Information 可选配件信息

ALEO S 4 Hole Deck Mount Bath Shower FCT 利奥4孔缸边式浴缸花洒龙头(致巧款) .....	K-31236T-4-*
Renew Slidebar, 24" 氧沐60cm滑动花洒支架 .....	K-98342T-*



Color code (-\*) must be specified when ordering.

订购时请说明颜色代码(-\*)