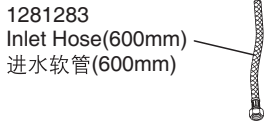
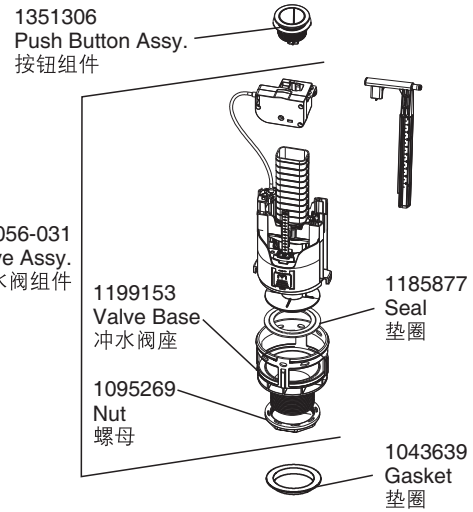
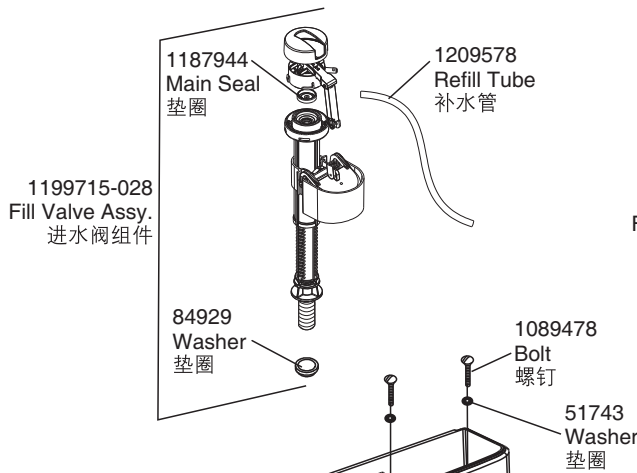
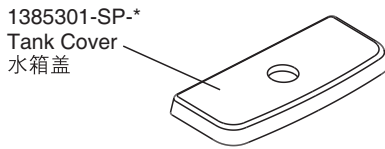


Model 组合型号	K-23191T-NS-*	K-23192T-NS-*
Spec 规格	305mm	400mm
Tank 水箱	K-23195T-NS3-*	K-23195T-NS4-*
Bowl 缸体	K-23193T-*	K-23194T-*

Note: -\* is for color code which may represent 0,7,47,96  
注: -\*为颜色代码, 有0,7,47,96等颜色

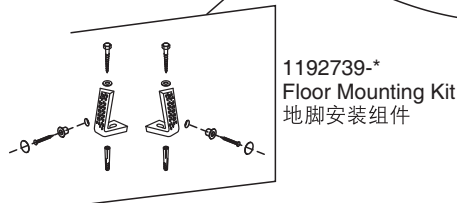
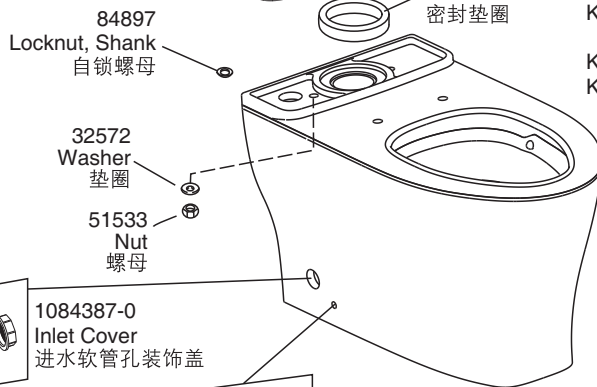


This Model Does Not Contain Toilet Seat, It Is Recommended To Use In Combination.  
此型号不含盖板, 推荐搭配使用。

Recommended Toilet Seat :  
推荐盖板:

K-23204T-\* Family Care QC Seat  
K-23204T-\* 亲悦加长型缓降座便器盖板

K-23205T-\* Family Care Firefresh QC Seat  
K-23205T-\* 亲悦加长型缓降座便器盖板(清新款)



Color code (-\*) or finish (-\*\*) must be specified when ordering.

订购时请说明颜色代码(-\*)或表面处理(-\*\*)

Please refer to service parts page packed with seat for detailed seat service parts.

盖板的维修零件请详见盖板的维修零件图。