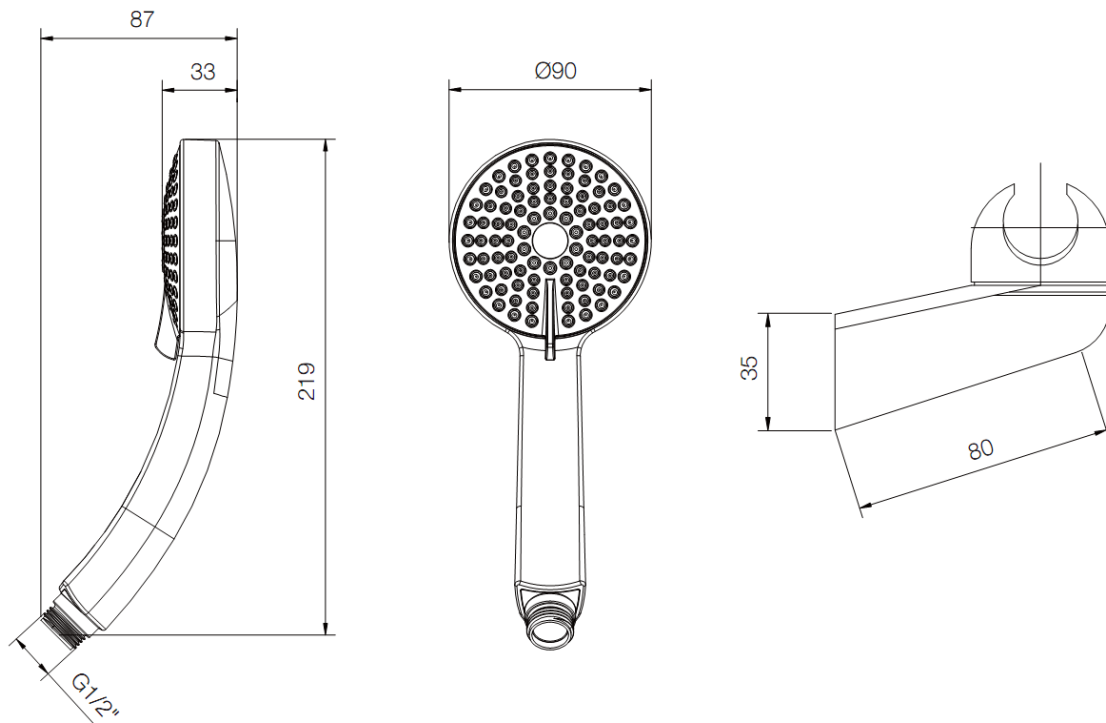


HANDSPRAY  
K-R4111T

**Product Specification:**

Model	Includes	Finish	Note
K-R4111T	Citrus 4-way handspray, bracket	CP	Retail Package

**Product Dimension:**



**K-R4111T**

\*The above information are subject to change without notice.