

Features

- Unique articulated-joint design directs water to any angle and folds out of the way when not in use.
- Integral sprayhead provides laminar flow or ring spray at the touch of a button.
- Ceramic disc valves exceed industry longevity standards, ensuring durable performance for life.
- Single joystick lever handle is simple to use and makes adjusting water temperature easy.
- 1.5 gal/min (5.7 l/min) maximum flow rate [max at 60 psi (4.14 bar)]

Material

- Premium metal and carbon fiber construction.
- KOHLER finishes resist corrosion and tarnishing.

Installation

- Wall-Mount installation.
- Flexible supply lines simplify installation.

Optional Accessories

- 1107026 Shallow Rough-In Valve Body Kit
- 1107027 Deep Rough-In Valve Body Kit



ADA CSA B651

Codes/Standards



ASME A112.18.1/CSA B125.1
NSF/ANSI 61
NSF/ANSI 372
All applicable US Federal and State material regulations
DOE - Energy Policy Act 1992
California Energy Commission (CEC)
ADA
ICC/ANSI A117.1
CSA B651

KOHLER® Faucet Lifetime Limited Warranty

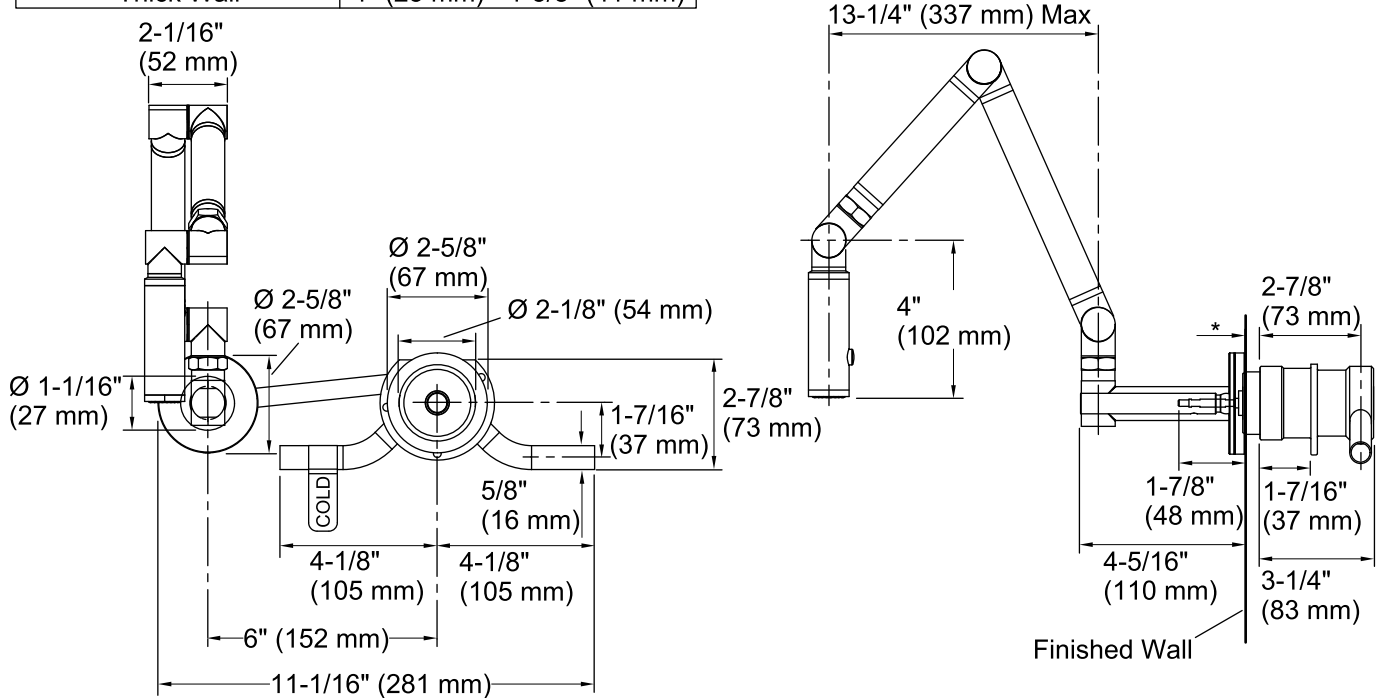
See website for detailed warranty information.

Available Color/Finishes

Color tiles intended for reference only.

Color	Code	Description
	CP	Polished Chrome
	VS	Vibrant® Stainless

Finished Wall Thickness	*
Thin Wall	0" - 5/8" (16 mm)
Standard Wall	1/2" (13 mm) - 1-1/8" (29 mm)
Thick Wall	1" (25 mm) - 1-5/8" (41 mm)



Technical Information

All product dimensions are nominal.

Faucet:

Flow rate: 1.5 gal/min (5.7 l/min)

Pressure: 60 psi (4.1 bar)

Notes

Install this product according to the installation guide.

Do not locate the faucet in close proximity to a direct heat source or use the faucet as a pot filler. Exposure to excessive heat will damage the integral sprayhead and spout joints and may cause severe discoloration to the carbon fiber tubing.

Special framing and support considerations are required to mount the wall-mount valve.

One 2-3/16" (56 mm) diameter cut-out hole is required for the valve. One 1-3/16" (30 mm) diameter cut-out hole is required for the spout.

ADA, CSA B651 compliant when installed to the specific requirements of these regulations.