

### Features

- Waterless urinal.
- 14-3/4" extended rim.

### Material

- Vitreous china.

### Components

Additional included component/s: 2" Outlet Spud, Hanger (2 Required), Removable Strainer, 3 oz (89 ml) Sealing Liquid Sample, Cleaner Sample, and Urinal Ball Sample.



ADA

### Codes/Standards





ASME A112.19.2/CSA B45.1  
ASME A112.19.19  
ADA  
ICC/ANSI A117.1

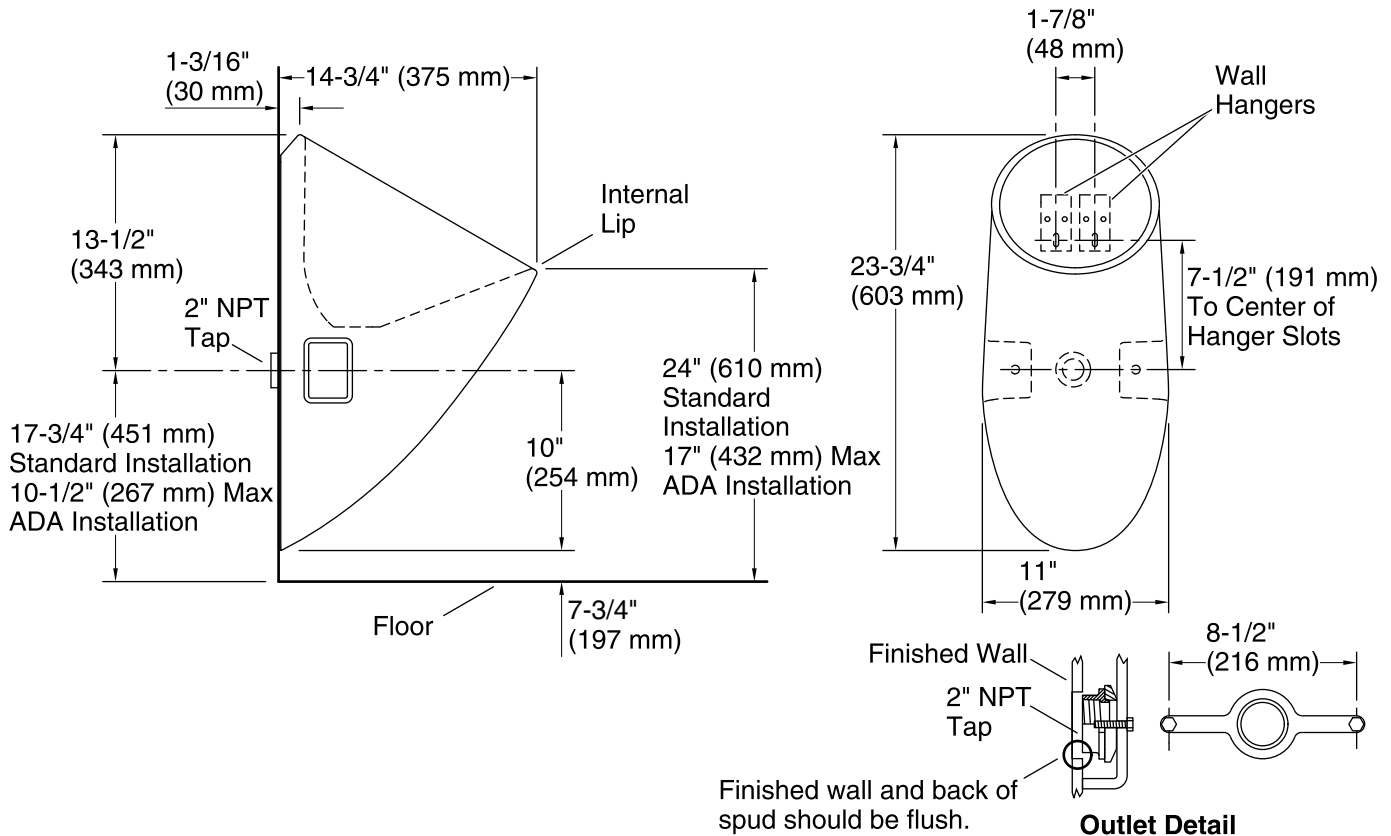
### KOHLER® One-Year Limited Warranty

See website for detailed warranty information.

### Available Color/Finishes

*Color tiles intended for reference only.*

Color	Code	Description
	0	White
	96	Biscuit
	47	Almond
	7	Black Black™



### Technical Information

All product dimensions are nominal.

Spud size: 2", Outlet, Rear

### Notes

Install this product according to the installation guide.

**CAUTION:** Risk of property damage. When connecting waterless urinals to the building drain waste vent system, do not use copper pipe or copper tube connectors. The use of a copper connector will result in corrosion of the connector and potential building structure damage caused by leakage.

Roughing-in remains the same when using the optional 3" outlet spud.

Recommended ADA outlet spud height will account for normal product variation.

For ADA compliance, measurement must be 17" (432 mm) or less from the floor to the top of the internal lip.

ADA compliant when installed to the specific requirements of these regulations.