

Features

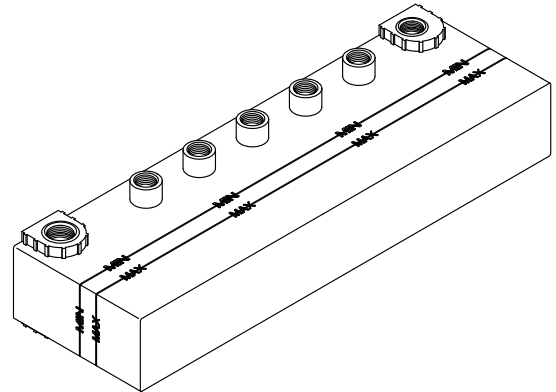
- High-flow thermostatic mixing valve.
- Mechanically controlled thermostatic mixing valve maintains outlet temperature throughout shower experience.
- Up to 13 gpm (49.2 lpm) flow rate at 45 psi (3.1 bar) with maximum flow of 10 gpm (37.8 lpm) from one outlet.
- G 3/4 female inlet connections.
- G 1/2 female outlets.
- Service stops with integral filters.
- Antiscald protection.
- Integrated adjustable high-temperature limit stop to control maximum water temperature.
- Adjustable comfort setting (preset at approximately 37°C).

Material

- Cast dezincification-resistant brass body provides long term reliability and resistance to aggressive water conditions.

Installation

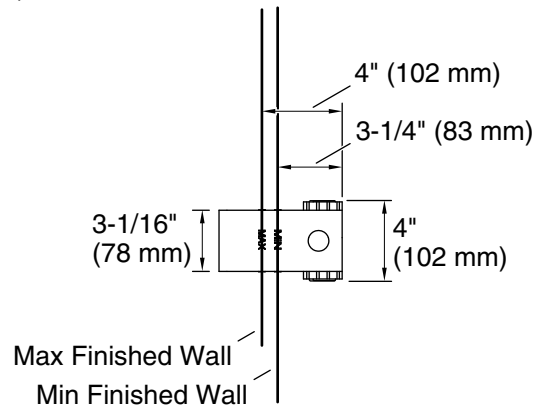
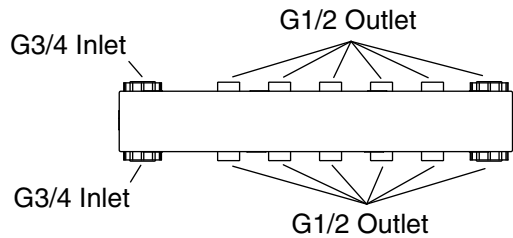
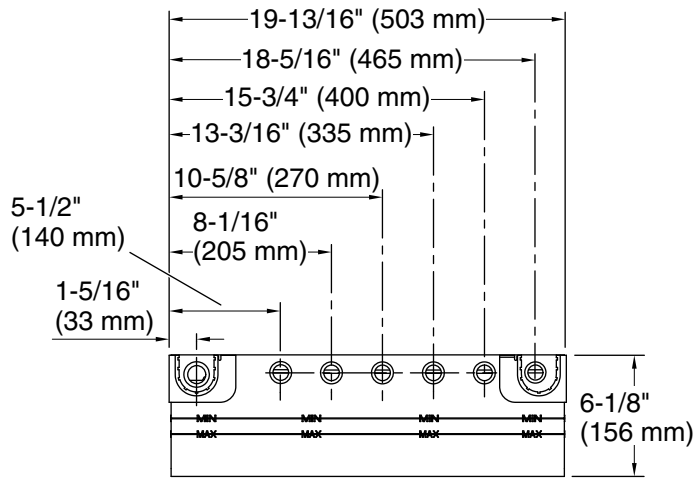
- Requires six-outlet thermostatic valve control panel trim with recessed push buttons (sold separately).
- Fully-serviceable from the front of the valve.



Codes/Standards

None Applicable

See website for detailed warranty information.



Technical Information

All product dimensions are nominal.

Shower Valve:

Flow Rate (Max) @ 45 psi 13 gal/min (49.2 l/min)

Valve body: Cast brass