

Features

- Modern, simplistic exposed thermostatic valve serves as a hub for shower controls.
- Includes rainhead, handshower, hose, handshower holder, thermostatic valve, and control panel.
- Single-function oblong rainhead features Full Coverage with Katalyst technology, a drenching spray experience ideal for rinsing shampoo from hair.
- Multifunction handshower with advanced spray engine provides three spray experiences: Full Coverage with Katalyst technology, Deep Massage, and Cloud.
- Deep Massage streams twist and swirl, targeting sore muscles to ease away aches and pains.
- Cloud spray experience restores with a thick cloud of silky, super-fine water droplets.
- 2.5 gpm (9.5 lpm) showerhead and handshower flow rate.
- MasterClean™ sprayface features an easy-to-clean surface that withstands mineral buildup.
- Optimized sprayface for maximum performance.
- Mechanically controlled thermostatic mixing valve maintains outlet temperature throughout shower experience.
- Control panel includes adjustable temperature dial with integrated adjustable high-temperature limit feature and shower outlet on/off buttons.
- When pressed once, shower outlet turns on and button pops out, becoming a knob for water flow adjustment.
- When pressed back in, water turns off and outlet button aligns with control plate surface; flow setting remains intact.

Material

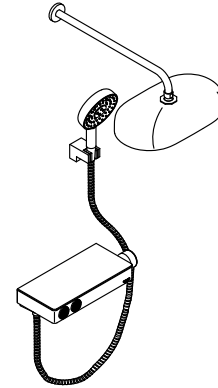
- Premium material construction for durability and reliability.
- KOHLER finishes resist corrosion and tarnishing.

Technology

- Katalyst® air-induction technology infuses water with air, creating bigger drops for a more powerful spray.

Installation

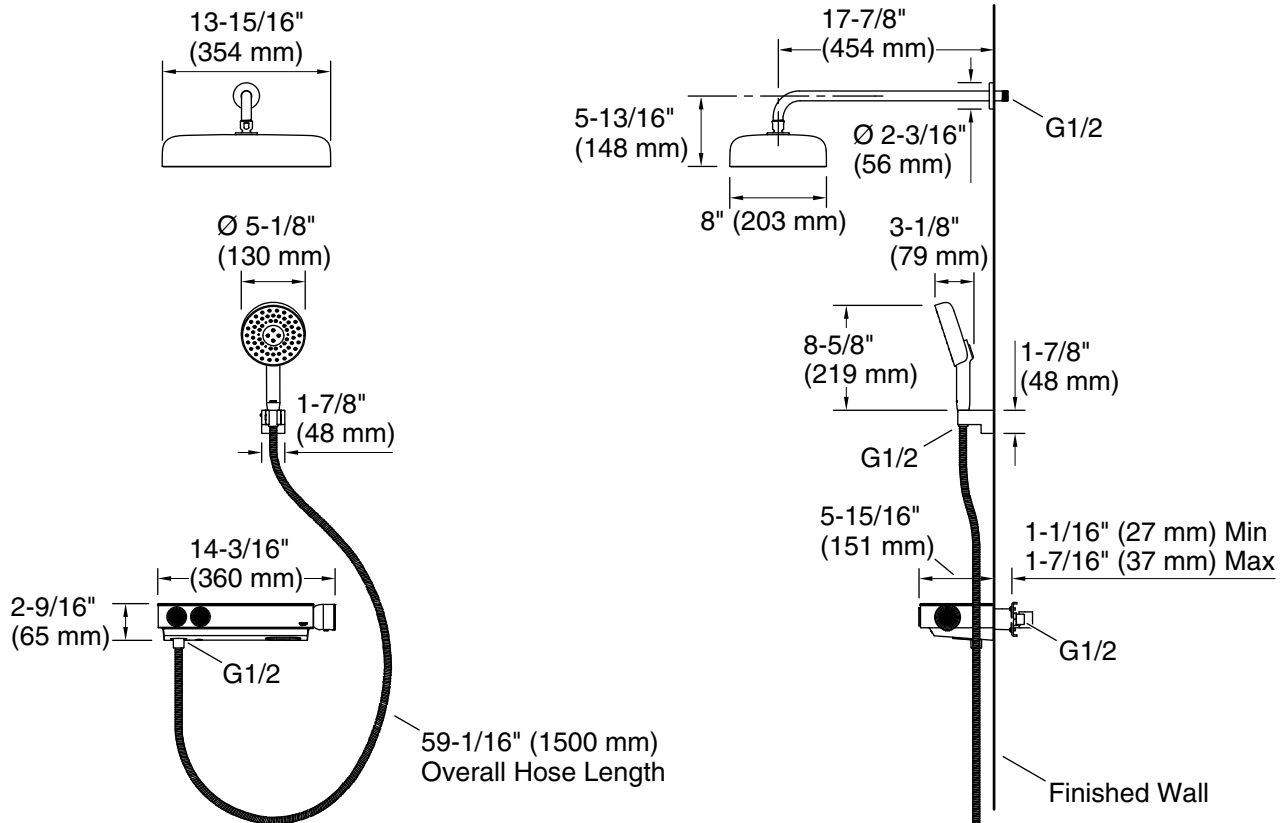
- G 1/2 inlet and outlet.
- Valve is fully serviceable from control panel.



Codes/Standards

None Applicable

See website for detailed warranty information.



Technical Information

All product dimensions are nominal.

Shower Valve:

Flow Rate (Max) @ 45 psi	5 gal/min (18.9 l/min)
Manufacturer's minimum rated flow:	1.3 gal/min (4.9 l/min)
Pressure:	45 psi (3.1 bar)
Maximum (Static) Pressure:	125 psi (8.6 bar)
Minimum (Operating) Pressure:	20 psi (1.4 bar)
Drain included:	No