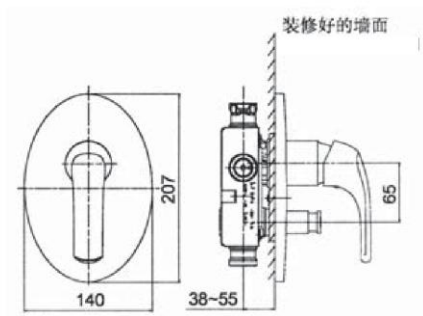


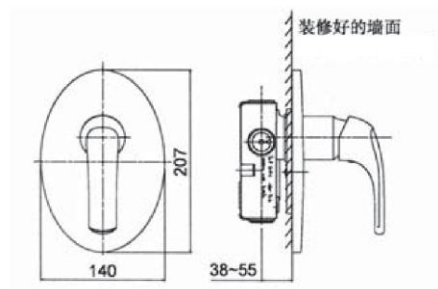
Product Specification:

Model	Handle	Finish	NOTE
NATEO 40mm Recessed Bath and Shower Faceplate			
K-18019T-4	Lever	CP	Required to be matched with 882T 40mm recessed bath and shower valve
NATEO 40mm Recessed Shower Faceplate			
K-18009T-4	Lever	CP	Required to be matched with 880T 40mm recessed bath and shower valve

Product Dimension:



K-18019T



K-18009T

*The above information are subject to change without notice.