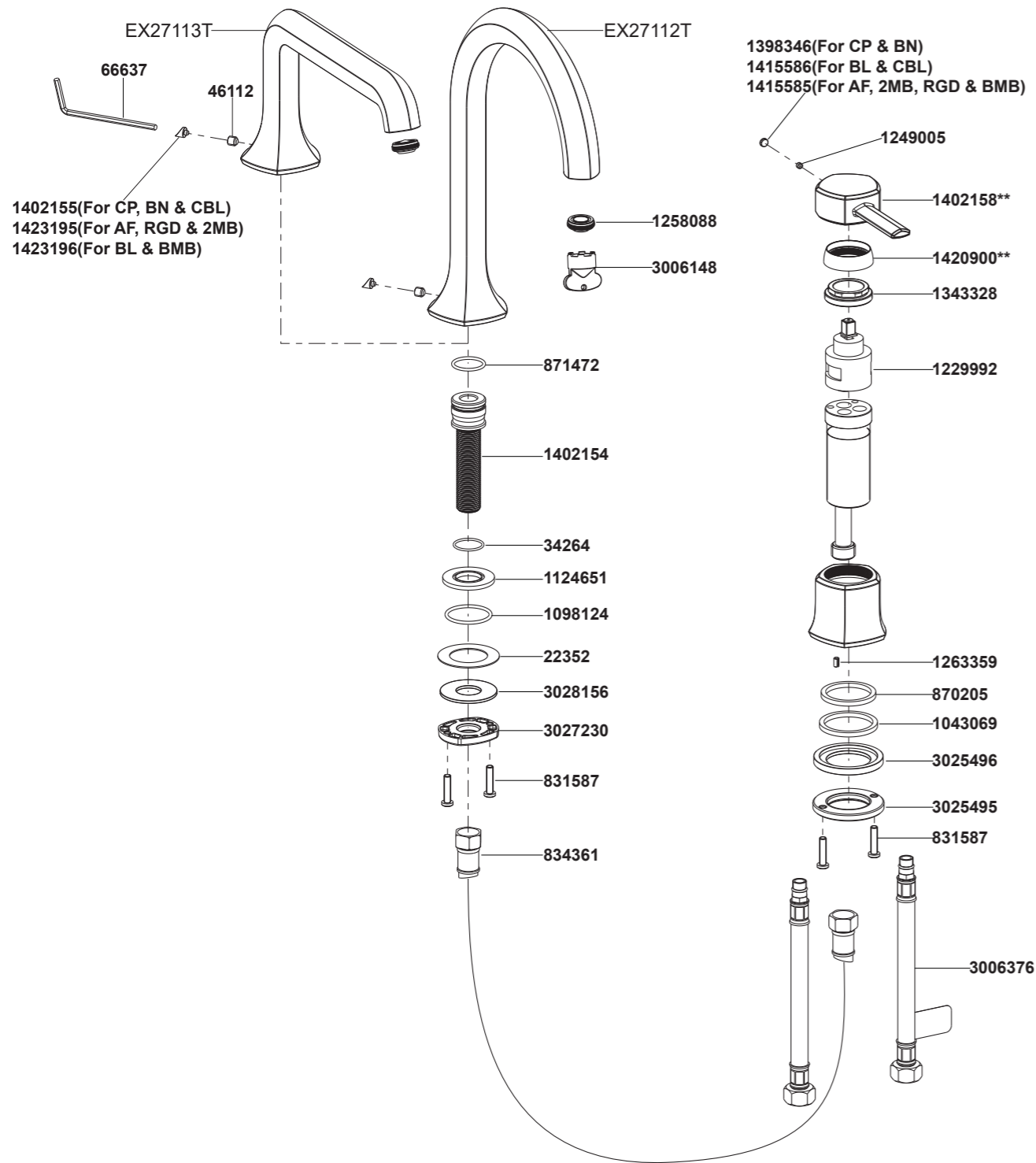


EX27112T-4 2孔缸边式浴缸龙头(曲管型出水嘴, 杆型把手)

EX27113T-4 2孔缸边式浴缸龙头(直杆型出水嘴, 杆型把手)



\*\*订购时请说明颜色编号

\*\*Color code must be specified when ordering

EX27112T-4 2孔缸边式浴缸龙头(曲管型出水嘴, 杆型把手)

EX27113T-4 2孔缸边式浴缸龙头(直杆型出水嘴, 杆型把手)

### 安装之前

所有的资料是按最新发布的产品资料编写而成。科勒公司保留任何时候不经通知即可改变产品特性、包装或产品可供类型的权利。

说明书包括重要的安装、保养及清洁方面的内容, 请把这些资料交给用户阅读。

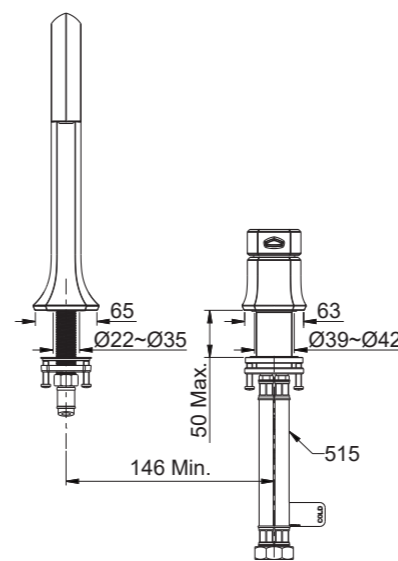
#### 注意事项:

1. 一定要先彻底冲洗供水管以清除管道中的杂质。
2. 尽可能在安装浴缸之前安装水龙头。
3. 检查供水管有无损坏漏水。如需要, 进行替换维修。
4. 遵守当地管路安装条例。
5. 切断供水管路。

### 使用说明

将把手轻轻提起, 顺时针旋转为热水, 逆时针旋转为冷水。

### 安装尺寸



### BEFORE YOU BEGIN

All information is based on the latest product information available at the time of publication. Kohler Co. reserves the right to make changes in product characteristics, packaging, or availability at any time without notice.

Please leave these instructions for the consumer. They contain important information.

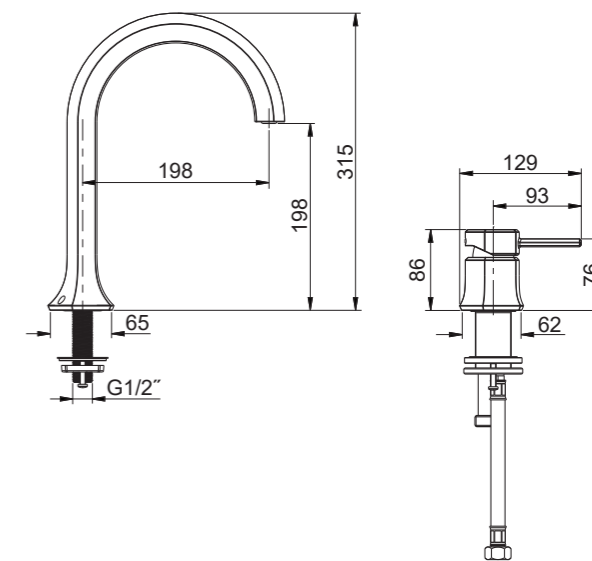
#### NOTES:

1. Flush the water supply pipes thoroughly to remove debris.
2. If possible, install this faucet before installing bathtub.
3. Inspect the supply tubing for damage and leakage. Replace and maintain as necessary.
4. Observe local plumbing codes.
5. Shut off the water supplies to the fitting.

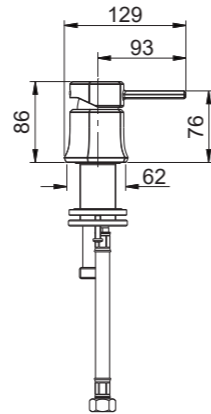
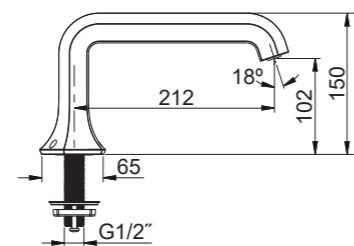
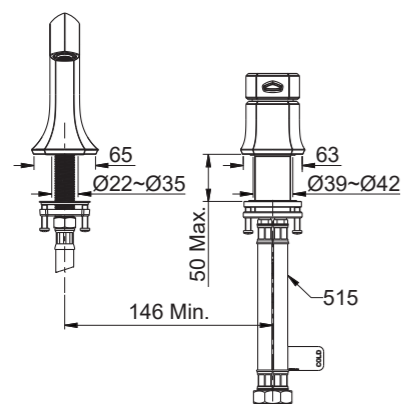
### HANDLE OPERATION

Lift the handle gently. Turn clockwise for hot water, turn counter-clockwise for cold water.

### ROUGH-IN DIMENSIONS



EX27112T-4



EX27113T-4

## 安装步骤

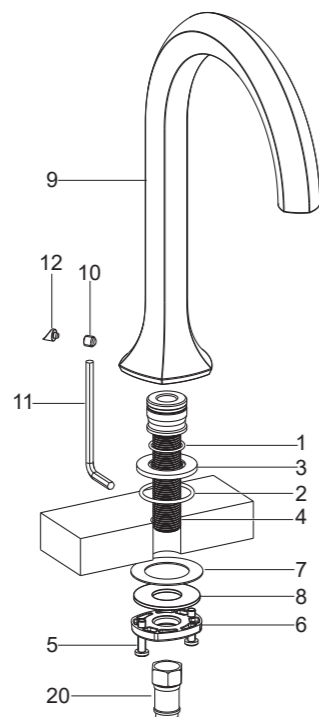
### 如何安装出水嘴

将O型圈(1, 2)分别嵌入垫片(3)顶部和底部凹槽中。从台面上方将牙管(4)穿过垫片(3)插入安装孔中。

确保螺钉(5)部分旋入安装环(6)。从台面下方依次安装垫片(7)、钢垫(8)和安装环，拧紧螺钉(5)以固定牙管。

将出水嘴(9)方向水平地按在牙管上，直至与台面接触。

调整出水嘴位置，使出水嘴朝向正前方，把螺钉(10)对准出水嘴上的螺钉孔，用六角扳手(11)拧紧螺钉，塞入塞扣(12)。



## INSTALLATION

### How to Install the Spout

Put the O-rings(1, 2) into the top and bottom grooves of the washer(3). From upside, insert the shank(4) through the washer(3) into the mounting hole.

Partially thread the screws(5) into the threaded ring(6). From underside, install the washer(7), steel washer(8) and threaded ring. Secure the shank by tightening the screws(5).

Press the spout(9) onto the shank until it contacts the deck.

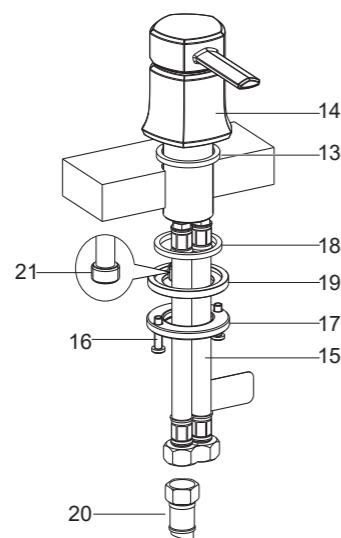
Position the spout and keep it frontwards. Align the screw(10) to the screw hole of the spout and then tighten it with hex wrench(11). Insert the plug(12).

### 如何安装把手组件

将垫片(13)装在把手组件(14)底部，从浴缸上方将把手组件带软管(15)插入安装孔中。

确保螺钉(16)部分旋入安装环(17)。将垫片(18)放到垫片(19)内。从浴缸下方安装垫片和安装环。调整把手组件位置，使把手朝向正前方。拧紧螺钉(16)以固定把手组件。

把软管接到水源上，带有“COLD”标志的软管接冷水。用软管(20)一端连接牙管(4)，另一端连接到把手组件接头(21)。



### How to Install the Handle Kit

Put the washer(13) into the handle kit(14) bottom. From upside, insert the handle kit with the hoses(15) into the mounting hole.

Partially thread the screws(16) into the threaded ring(17). Put the washer(18) into the washer(19). From underside, install the washers and threaded ring. Position the handle kit and keep it frontwards. Secure the handle kit by tightening the screws(16).

Attach the hoses to the water supplies. The hose with “COLD” label should be connected to cold water. Connect the shank(4) and connector(21) with the hose(20).

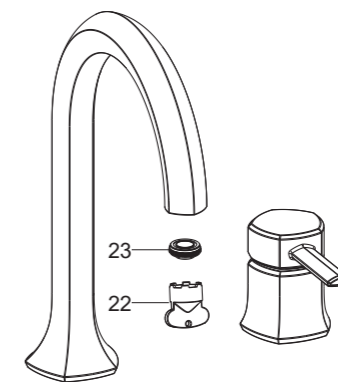
## 安装结果检查

检查并确保所有衔接螺母都已拧紧，确保把手在关闭位置。

打开主供水源，检查是否有漏水。如有漏水，修理之。

用起泡器工具(22)拆下起泡器(23)。打开水龙头冷热水，让水流出约一分钟以清除杂质，检查渗漏。

冲洗起泡器，关闭水龙头，重新装回起泡器。



## INSTALLATION CHECKOUT

Ensure all connections are tight. Ensure the handle is in the off position.

Turn on the main water supply, and check for leaks. Repair as needed.

Remove the aerator(23) with key(22). Turn on the faucet. Run hot and cold water through the spout for about one minute to remove any debris. Check for leaks.

Remove any debris from the aerator. Shut off the faucet. Reinstall the aerator.

## 清洗说明

适用于所有加工处理过的表面：以中性肥皂水清洗镀层表面，再以干净的软布彻底擦干整个表面，许多清洁剂，比如氨水、去污粉及洁厕灵等，会对电镀表面造成伤害，切忌使用。

有磨损性的清洁用具或清洁剂也不可适用于科勒牌的水龙头及其配件上。

## CLEANING INSTRUCTIONS

All Finishes: Clean the finish with mild soap and warm water. Wipe entire surface completely dry with clean soft cloth. Many cleaners may contain chemicals, such as ammonia, chlorine, toilet cleaner etc. which could adversely affect the finish and are not recommended for cleaning.

Do not use abrasive cleaners or solvents on Kohler faucets and fittings.