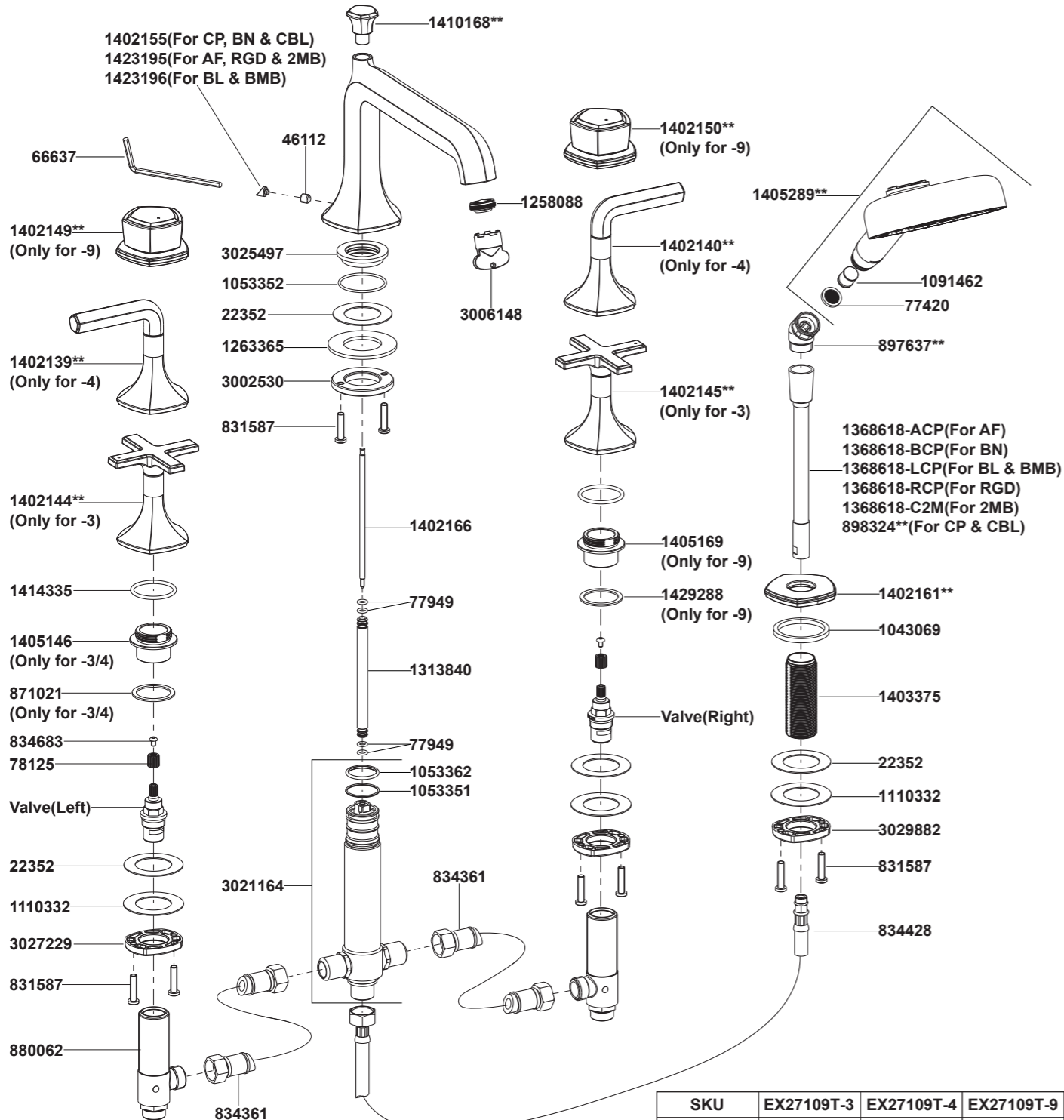


- EX27109T-3 4孔双把缸边式浴缸花洒龙头(直杆型出水嘴, 十字型把手)
- EX27109T-4 4孔双把缸边式浴缸花洒龙头(直杆型出水嘴, 杆型把手)
- EX27109T-9 4孔双把缸边式浴缸花洒龙头(直杆型出水嘴, 柱型把手)



SKU	EX27109T-3	EX27109T-4	EX27109T-9
Valve(Left)	835750	835749	835750
Valve(Right)	835749	835750	835749

\*\*订购时请说明颜色编号

\*\*Color code must be specified when ordering

- EX27109T-3 4孔双把缸边式浴缸花洒龙头(直杆型出水嘴, 十字型把手)
- EX27109T-4 4孔双把缸边式浴缸花洒龙头(直杆型出水嘴, 杆型把手)
- EX27109T-9 4孔双把缸边式浴缸花洒龙头(直杆型出水嘴, 柱型把手)

### 安装之前

所有的资料是按最新发布的产品资料编写而成。科勒公司保留任何时候不经通知即可改变产品特性、包装或产品可供类型的权利。

说明书包括重要的安装、保养及清洁方面的内容, 请把这些资料交给用户阅读。

#### 注意事项:

1. 一定要先彻底冲洗供水管以清除管道中的杂质。
2. 尽可能在安装浴缸之前安装水龙头。
3. 检查供水管有无损坏漏水。如需要, 进行替换维修。
4. 遵守当地管路安装条例。
5. 切断供水管路。
6. 花洒最高工作压力: 0.5MPa(5bar)。水压超过0.5MPa(5bar)时必须安装减压阀。花洒最高工作温度及环境温度: 60°C。请特别注意花洒同花洒连接的臂管须远离浴霸, 否则可能损坏花洒及其密封件, 甚至对使用者造成伤害。

### BEFORE YOU BEGIN

All information is based on the latest product information available at the time of publication. Kohler Co. reserves the right to make changes in product characteristics, packaging, or availability at any time without notice.

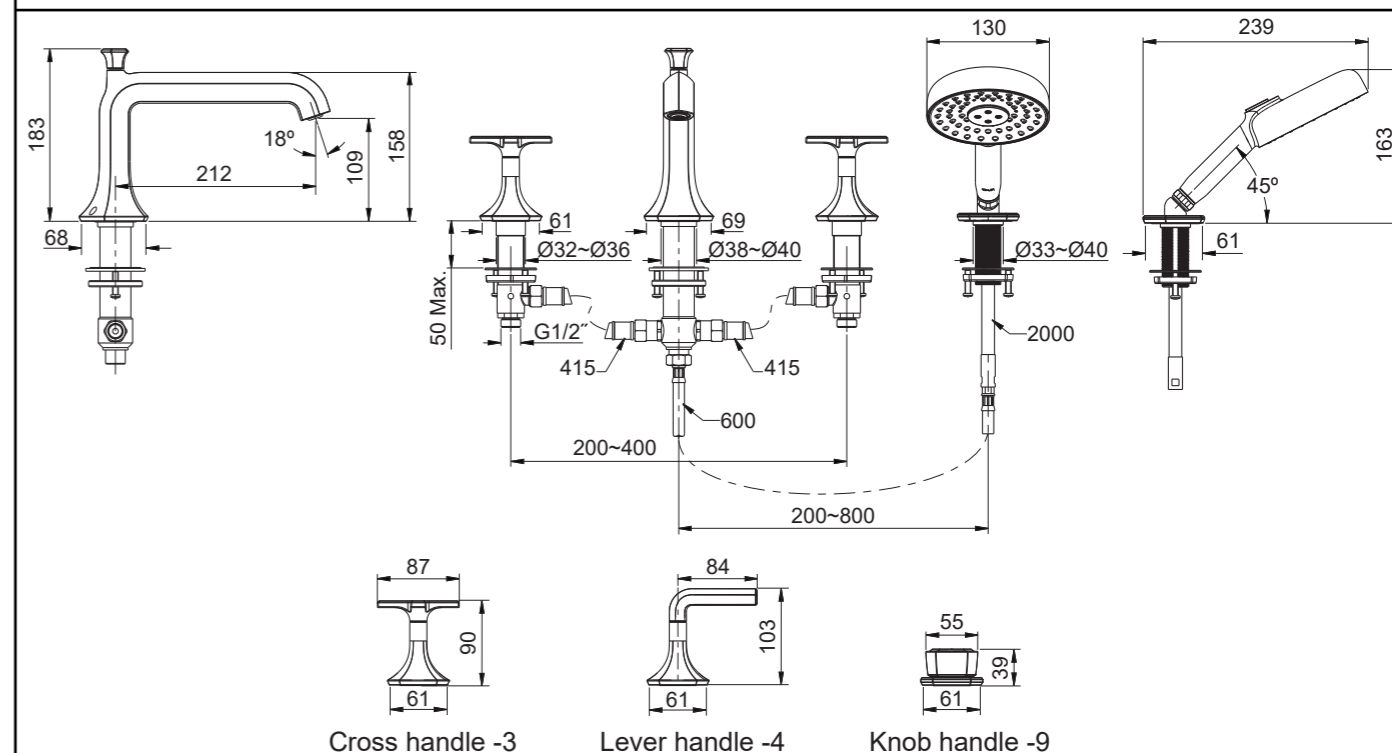
Please leave these instructions for the consumer. They contain important information.

#### NOTES:

1. Flush the water supply pipes thoroughly to remove debris.
2. If possible, install this faucet before installing bathtub.
3. Inspect the supply tubing for damage and leakage. Replace and maintain as necessary.
4. Observe local plumbing codes.
5. Shut off the water supplies to the fitting.
6. The highest working pressure for handshower is 0.5MPa(5bar). If it exceeds 0.5MPa(5bar), a pressure reducer is needed. The highest water and environment temperature is 60°C. Please keep handshower, showerhead and shower arm away from heater, or it may become damaged and cause injury to the user.

### 安装尺寸

### ROUGH-IN DIMENSIONS



## 使用说明

对于杆型把手-4，逆时针旋转左把手为热水，顺时针旋转右把手为冷水。

对于十字型和柱型把手-3/9，顺时针旋转左把手为热水，逆时针旋转右把手为冷水。

切换器处于正常位置时出水嘴出水，将切换器按钮轻轻提起，手持花洒出水。

## OPERATION INSTRUCTIONS

For lever handle -4, turn the left handle counter-clockwise for hot water, right handle clockwise for cold water.

For cross/knob handle -3/9, turn the left handle clockwise for hot water, right handle counter-clockwise for cold water.

Water flows out from spout when diverter is in the normal position. Lift the diverter knob, handshower works.

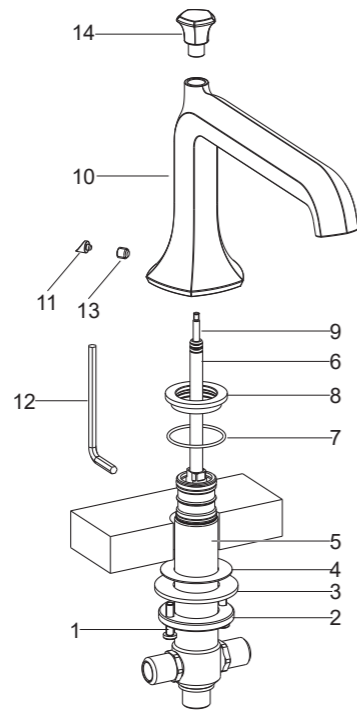
## 安装步骤

### 如何安装出水嘴

确保螺钉(1)部分旋入安装环(2)。将安装环、钢垫(3)和垫片(4)依次置于切换器组件(5)下方位置。

从台面下方将切换器组件装于浴缸安装孔，使其尽可能多地伸出台面，确保带有四个O型圈的切换器管(6)已装在切换器上。将O型圈(7)嵌入螺母(8)底部凹槽中，将带有O型圈的螺母旋紧到切换器组件上。调整切换器到合适方向，锁紧螺钉(1)固定切换器组件。将提拉杆(9)穿过切换器管(6)装入切换器。

从出水嘴组件(10)上取下塞扣(11)，用六角扳手(12)拧松紧固螺钉(13)，将出水嘴组件装入切换器组件，调整出水嘴位置，使出水嘴朝向正前方。用六角扳手拧紧紧固螺钉，安装塞扣。将提拉头(14)旋紧到提拉杆(9)上。



## INSTALLATION

### How to Install the Spout

Partially thread the screws(1) into the threaded ring(2). Put the threaded ring, steel washer(3) and washer(4) to the lower location of the diverter kit(5).

From underside, insert the diverter kit into the mounting hole and put it out as much as possible. Ensure the diverter tube(6) with four O-rings is installed to the diverter. Put the O-ring(7) into the bottom groove of the nut(8). Tighten the nut with O-ring onto the diverter kit. Position the diverter kit. Tighten the screws(1) to secure the diverter kit. Slide the lift rod(9) through the diverter tube(6) to the diverter.

Remove the plug(11) from the spout kit(10). Unscrew the setscrew(13) with hex wrench(12). Insert the spout kit into the diverter kit. Position the spout kit and keep it frontwards. Tighten the setscrew with hex wrench. Install the plug. Screw the diverter knob(14) onto the lift rod(9).

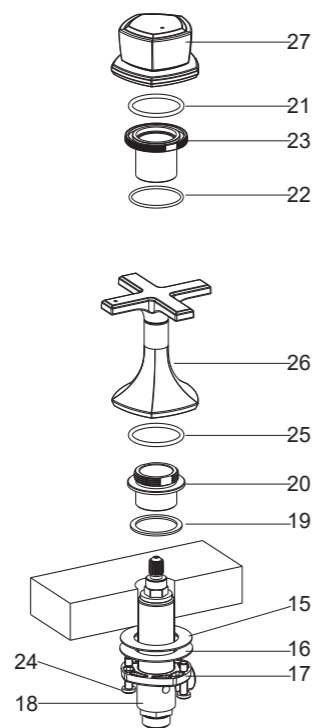
### 如何安装阀体和把手

确保垫片(15)、钢垫(16)和安装环(17)依次装在阀体组件(18)上。从浴缸下方将阀体组件装入安装孔。**注意：**面向龙头时，有红色标记的阀体组件装在左侧，与热水源连接。

对于十字型和杆型把手，将橡胶垫片(19)装到螺母(20)底部凹槽中；对于柱型把手，将O型圈(21, 22)分别装到螺母(23)顶部和底部凹槽中。从浴缸上方将螺母旋到阀体组件。

根据软管安装需要，适当调整阀体出水口朝向。拧紧螺钉(24)以固定阀体组件。

对于十字型和杆型把手，将O型圈(25)装入把手组件(26)底部凹槽中。确保阀芯处于关闭状态，将把手组件(26或27)安装在螺母上并旋紧。调整把手至图示方向。**注意：**带有红色圆点的把手装在左侧。



### How to Install the Valve Bodies and Handles

Ensure the washer(15), steel washer(16) and threaded ring(17) are on the valve body(18). From underside, install the valve body into the mounting hole. **NOTE:** The valve body with red mark should be installed on the left side and connected with hot water.

For cross/lever handle, put the rubber washer(19) into the bottom groove of the nut(20). For knob handle, put the O-rings(21, 22) into the top and bottom grooves of the nut(23). From upside, tighten the nut onto the valve body.

Adjust the outlet of valve body to connect hose easily. Secure the valve body by tightening the screws(24).

For cross/lever handle, put the O-ring(25) into the bottom groove of the handle kit(26). Tighten the handle kit(26 or 27) onto the nut with the valve closed. Adjust the handle position as shown. **NOTE:** The handle kit with red mark should be installed on the left side.

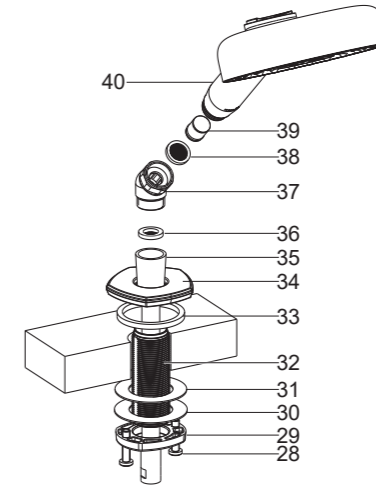
## 如何安装手持花洒

确保螺钉(28)部分旋入安装环(29)。依次将安装环、钢垫(30)和垫片(31)装到牙管(32)上。将牙管从浴缸下方插入安装孔。

将垫片(33)置于装饰盖(34)底面凹槽内。将装有垫片的装饰盖旋到牙管上，拧紧螺钉(28)。

先将花洒软管(35，长：2000mm)随附垫片(36)装入花洒软管，再将其连接到弯头组件(37)，接着穿过装饰盖和牙管。

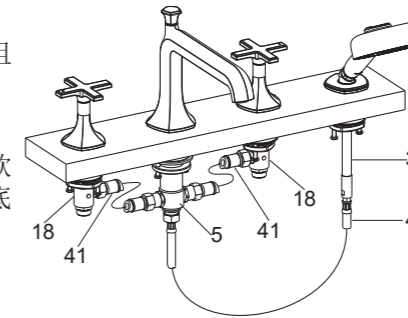
将垫片(38)放入弯头组件接头内。根据需要选择是否将单向阀(39)放入手持花洒(40)进水端，连接弯头组件和手持花洒。



## 如何连接软管

用软管(41，长：415mm)连接阀体组件(18)和切换器组件(5)。

用软管(42，长：600mm)连接花洒软管(35，长：2000mm)和切换器组件底部。

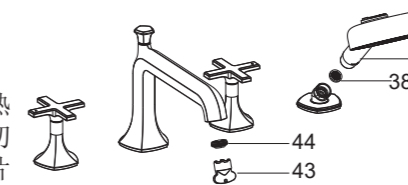


## 安装结果检查

检查并确保所有衔接螺母都已拧紧，确保把手在关闭位置。

用起泡器工具(43)卸下起泡器(44)，并卸下手持花洒(40)。

打开主供水源，检查渗漏。打开冷热水阀，使水流过出水嘴，去除杂物。切换到手持花洒，去除杂物，清洗垫片(38)，关闭阀。重新装回起泡器及手持花洒。



## 清洗说明

适用于所有加工处理过的表面：以中性肥皂水清洗镀层表面，再以干净的软布彻底擦干整个表面，许多清洁剂，比如氨水、去污粉及洁厕灵等，会对电镀表面造成伤害，切忌使用。

有磨损性的清洁用具或清洁剂也不可适用于科勒牌的水龙头及其配件上。

## How to Install the Handshower

Partially thread the screws(28) into the threaded ring(29). Install the threaded ring, steel washer(30) and washer(31) on the shank(32). From underside, install the shank into the mounting hole.

Put the washer(33) into the groove of the escutcheon(34). Tighten the escutcheon with washer onto the shank. Tighten the screws(28) firmly.

Put the washer(36) into the shower hose(35, length: 2000mm). Connect the shower hose to the elbow assembly(37) firstly. Then slide the shower hose through the escutcheon and shank.

Put the washer(38) into the elbow assembly. Put the check valve(39) into the handshower(40) if needed. Connect the elbow assembly to the handshower.

## How to Connect the Hoses

Connect the valve body(18) and diverter assembly(5) with the hose(41, length: 415mm).

Connect the shower hose(35, length: 2000mm) and diverter assembly with the hose(42, length: 600mm).

## INSTALLATION CHECKOUT

Ensure all connections are tight. Ensure the handles are in the off position.

Uninstall the aerator(44) with key(43). Uninstall the handshower(40).

Turn on the main water supply and check for leaks. Open valves and run water through the spout to remove any debris. Switch to handshower and remove debris from washer(38). Turn off the valves. Reinstall the aerator and handshower.

## CLEANING INSTRUCTIONS

All Finishes: Clean the finish with mild soap and warm water. Wipe entire surface completely dry with clean soft cloth. Many cleaners may contain chemicals, such as ammonia, chlorine, toilet cleaner etc. which could adversely affect the finish and are not recommended for cleaning.

Do not use abrasive cleaners or solvents on Kohler faucets and fittings.