

Features

- Vitreous China
- Circular Design
- Without Overflow
- Above counter
- Only Drain cutting (no profile cutting required)



Recommended Accessories

- Ceramic Drain (24740IN)
- Bottle Trap (75823IN)

COMPATIBLE FAUCETS	
PRODUCT DESCRIPTION	SKU CODE
ALEO LAV FAUCET W/O DRAIN	72275IN-4ND-CP
ALEO LAV FAUCET WITH DRAIN	K-72275IN-4
AVID LAV FAUCET WITH DRAIN	97345IN-4-CP
CABRIOLE SINGLE CONTROL LAVATORY FAUCET WITH LEVER HANDLE WITHOUT DRAIN	K-8600IN-1ND-CP
CANDIDE SINGLE CONTROL LAVATORY FAUCET WITH LEVER HANDLE	K-660IN-ND-CP
COMPOSED SC SIDE MOUNT LAV FAUCET W/D	73050IN-7-CP
CUFF SINGLE CONTROL LAVATORY FAUCET W/O DRAIN	K-37301IN-4ND-CP
CUFF SINGLE CONTROL LAVATORY FAUCET WITH DRAIN	37301IN-4-CP
EOLIA SINGLE CONTROL LAVATORY FAUCET WITH LEVER HANDLE	K-8620IN-ND-CP
FAIRFAX LAV FAUCET, W/O LIFT ROD	12183IN-ND-CP
FAIRFAX SINGLE CONTROL LAVATORY WITH LEVER HANDLE AND	K-8657IN-CP
FAIRFAX SINGLE LEVER LAV FAUCET	8657IN-CP
HINT™ SC LAV FAUCET W DRAIN	97060IN-4-CP
JULY SINGLE CONTROL LAVATORY FAUCET WITH LEVER HANDLE WITHOUT DRAIN	K-16027IN-4ND-CP
KUMIN SC LAV FAUCET WITH DRAIN	98827IN-4-CP
MARGAUX LAVATORY SINGLE CONTROL FAUCET	16230IN-4-CP
NATEO MONOBLOCKSGL CONTROL LAV FAUCET	K-18000IN-ND-CP
NATEO SINGLE CONTROL LAVATORY FAUCET WITH LEVER HANDLE	K-18000IN-ND-CP
PURIST SINGLE CONTROL LAVATORY FAUCET WITH DRAIN	K-14402IN-4A-CP
PURIST SINGLE CONTROL LAVATORY FAUCET WITHOUT DRAIN	K-14402IN-4ND-CP
QUALIS SC LAV WITHOUT DRAIN	13523IN-4ND-CP
SIROCCO DUAL HANDLE LAVATORY FAUCET	8611IN-7ND-CP
STANCE SC LAVATORY FAUCET	14760IN-4ND-CP
STRAYT PILLAR TAP	K-37333IN-4-CP
SYMBOL SINGLE CONTROL LAVATORY FAUCET	19480IN-CP
TAUT™ SC LAV FAUCET WITH DRAIN	74013IN-4-CP
VITEO SINGLE CONTROL LAVATORY FAUCET WITH LEVER HANDLE	K-5695IN-4ND-CP
WAVE SINGLE CONTROL LAVATORY FAUCET WITH LEVER HANDLE &	K-9076IN-CP

KOHLER® Ten-Year Limited Warranty

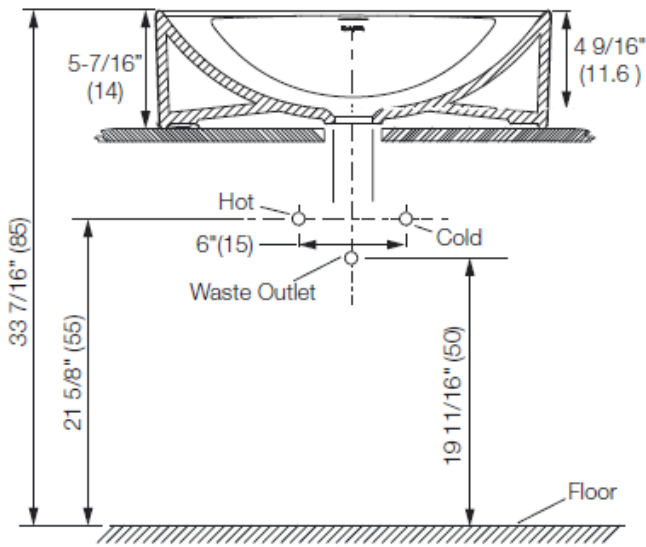
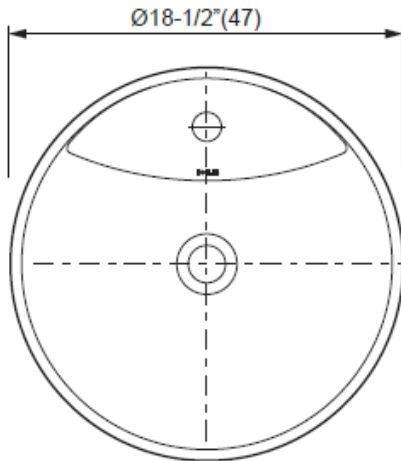
See website for detailed warranty information.

Available Color/ Finishes

Color tiles intended for reference only

Color	Code	Description
	0	White

* Available for Projects only



Notes

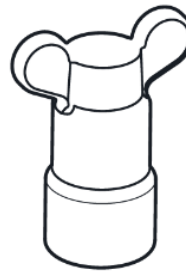
Install this product according to the installation instructions.

Product does not have an overflow.

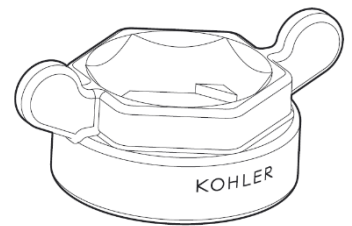
*Spout must be 3.9" (99mm) long (min) for adequate clearance into the bathroom sink.

NOTICE: Countertop manufacturer or cutter must use the cut-out template provided with the product, or a current one provided by Kohler (1800-103-2244). Kohler is not responsible for cutout errors when incorrect cut-out template is used.

Faucet Installation Tool (Supplied with



For Lav Faucet



For Pillar Tap

Technical Information

All Product Dimensions are nominal

Bowl configuration	Single
Installation	Above counter
Bowl area	Diameter: $\text{Ø}18\text{ }1/2\text{'}$ (470mm) Height: $5\text{ }7/16\text{'}$ (139mm) Depth: $4\text{ }9/16\text{'}$ (116mm)
Drain hole	$\text{Ø}41.65\text{ - }46.5\text{ mm}$
Template	1312258-K7
Faucet Installation Tool	1282804, 1316002