

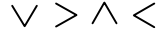


铜头位置\position of copper head

封0.6mmPVC封边\envelop 0.6mm PVC edge banding

封2mm封边\envelop 2mm edge banding

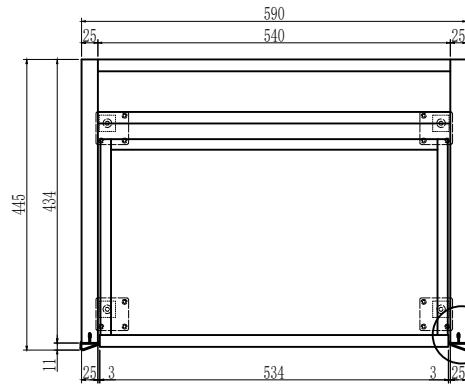
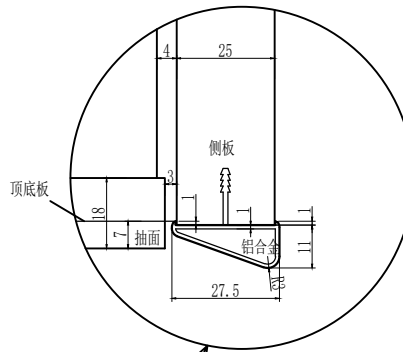
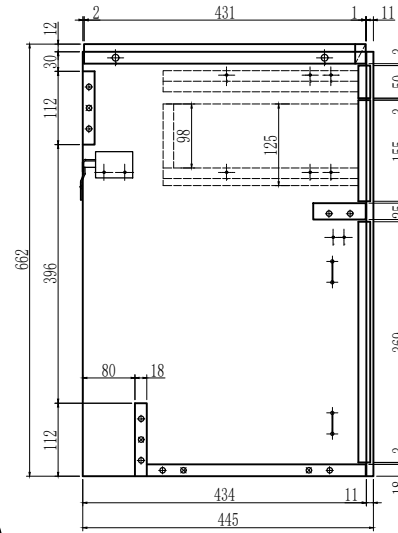
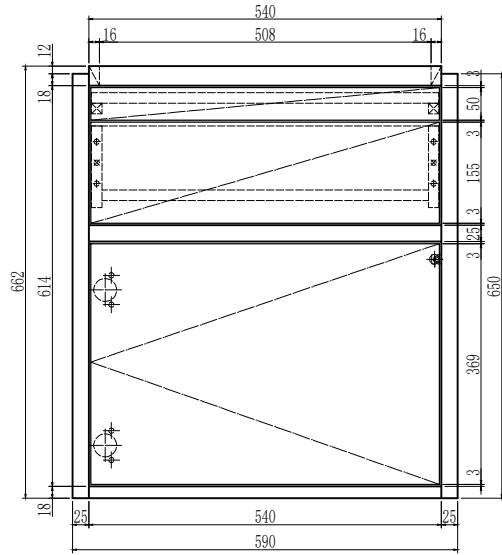
封1mm封边\envelop 1mm edge banding



FINISH:
表面处理:

MATERIAL:
材料: PVC

PRODUCT:
产品类别: BF



ALL DIMENSIONS IN: MM (INCHES)

SHT	SYM	BY	DESCRIPTION	DATE
1	-	Wells	New	2017/10/21

DWG REVISION RECORD

DIMENSIONING AND TOLERANCING PER ASME Y14.5M-1994

TOLERANCES UNLESS OTHERWISE SPECIFIED .XXX ± 0.010 .XX ± 0.02 .X ± 0.1 ANG ± 3.0	APPROVED	DATE	PLOT DATE	SCALE
	Wang Xiang	2020.12.21		1:12
DO NOT SCALE DRAWING			PRO/E	DWG SIZE
KOHLER KOHLER CO. CHINA			THIRD ANGLE PROJECTION	
DESCRIPTION			PART NAME	&model name
THIS DRAWING IN DESIGN AND DETAILS IS THE PROPERTY OF KOHLER CO. AND MAY NOT BE USED EXCEPT IN CONNECTION WITH KOHLER CO. WORK. ALL RIGHTS OF DESIGN OR INVENTION ARE RESERVED.			MAXISPACET CABINET 600mm	
DWG. NO.			1 SHT 1	

27443T