

KOHLER®

INSTALLATION INSTRUCTIONS

安装说明书

WATER SUPPLY SLIDE BAR

2738T

墙出水滑动花洒支架

安装之前

所有的资料是按最新出版的产品资料编写而成。科勒公司保留任何时候不经通知即可改变产品特性、包装或产品可供类型的权利。

说明书包括重要的安装内容,请把这些资料交给用户阅读。

注意事项:

- 1.一定要先彻底冲洗供水管以清除管道中的杂质
- 2.本滑动花洒支架须配合滑杆装饰罩 2696T、2697T 或 2698T 使用。

BEFORE YOU BEGIN

All information is based on the latest product information available at the time of publication. Kohler Co. reserves the right to make changes in product characteristics, packaging, or availability at any time without notice.

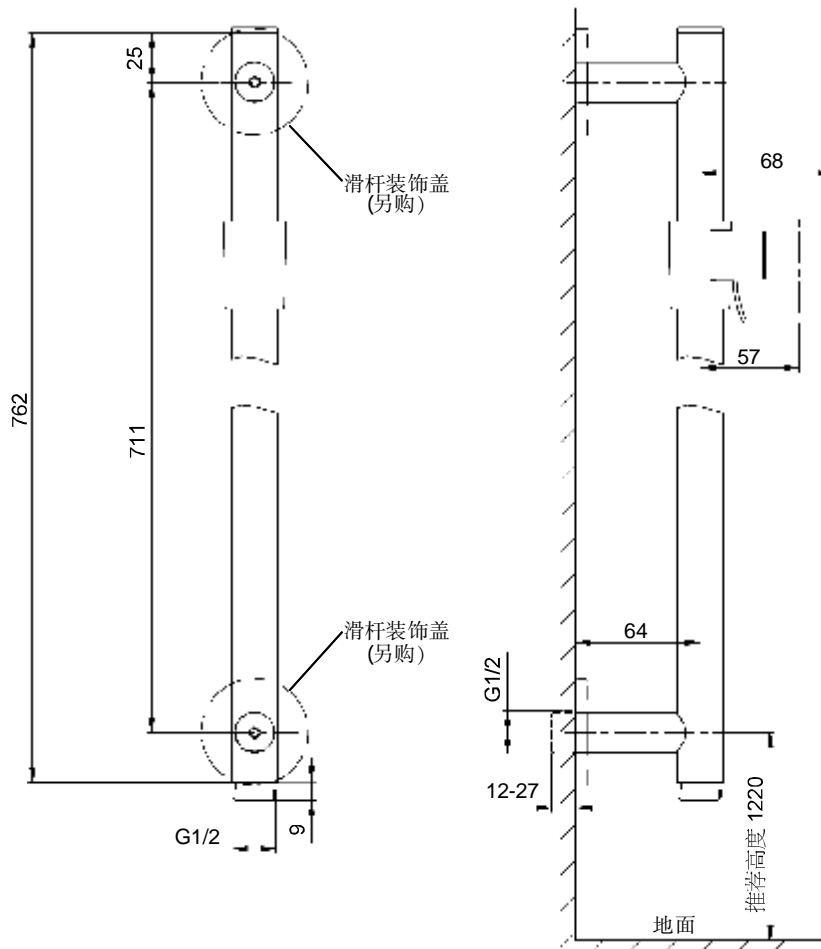
Please leave these instructions for the consumer. They contain important information.

NOTES:

- 1.Flush the water supply pipes thoroughly to remove debris.
- 2.The slide bar must used with slide bar escutcheon 2696T, 2697T or 2698T.

安装尺寸

ROUGH-IN DIMENSIONS



北京科勒有限公司

1140680-2/Rev00

中国北京市密云县果园西路 27 号 邮编: 101500

1

安装步骤

INSTALLATION

如何安装

为使安装顺利,在墙面适当高度预装 G1/2" 内螺纹管道配件(5)。使用 6mm 六角扳手安装进水接头(6)。

注意:管道配件不能突出或低于装修好的墙面不超过 15 毫米,并垂直于装修好的墙面。

根据胀塞(1)直径,距离管道配件中心 711 毫米钻孔。将胀塞塞入孔中。

客户根据需要选配并安装滑杆装饰罩(4):2696T、2697T 或 2698T。

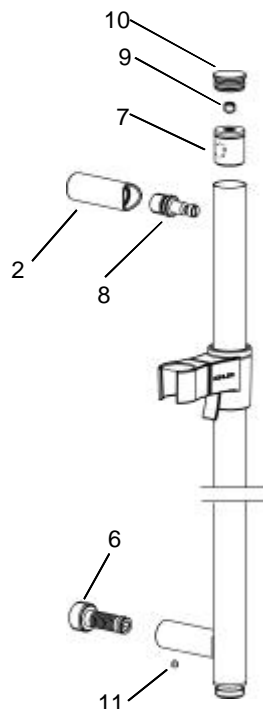
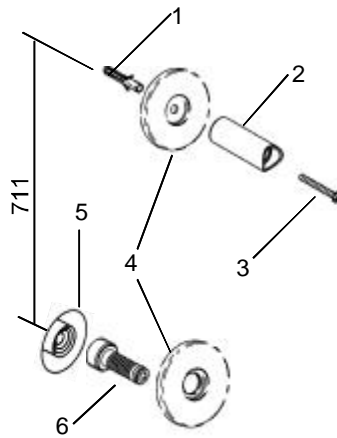
用自攻螺钉(3)安装支撑柱(2)。调整支撑柱弧形缺口,锁紧螺钉固定支撑柱。

将销(8)旋入支撑柱,用螺丝刀锁紧。

将锁紧组件(7)的孔与滑杆的孔对齐装入。如需要,用螺丝刀调节滑杆锁紧件的位置。

将滑杆装到进水接头(6)和销上。锁紧紧定螺钉(9,11)固定滑杆。螺钉(11)使用 2mm 六角扳手。

将盖(10)扣到滑杆上。



How to Install

To perform installation, install G1/2" female supply fitting(5) at the proper position on the finished wall. Install inlet connector(6) with 6mm hex wrench.

Note: The supply fitting not extend or below the finished wall 15mm at most. It is vertical to the finished wall.

Drill holes according to diameter of the anchor(1), distance 711mm from the center of supply fitting. Press the anchor into the hole.

Customer select and install the slide bar escucheon(4) 2696T,2697T or 2698T.

Connect the mounting post(2) by the self-tapping screw(3). Adjust the curved cutout of the post. Tighten the screw to secure the post.

Thread the pin(8) into the mounting post. Tighten with a screwdriver.

Line up the hole in the lock assembly(7) with the hole in the slide bar. If needed, use a screwdriver to adjust the position of the lock at end of the slide bar.

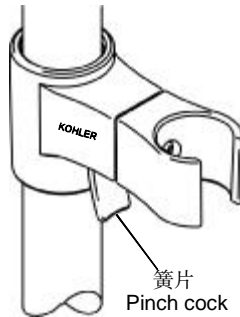
Install the slide bar onto the inlet connector (6) and pin. Secure the slide bar by tightening the setscrews(9,11). Tighten screw(11) by 2mm hex wrench.

Press the cap(7) onto the slide bar.

安装后检查

确定所有衔接螺母都已锁紧。开启主水源,检查是否有漏水。如有漏水,修理之。

按住花洒托架的簧片上下滑动,可调节托架位置。



INSTALLATION CHECKOUT

Ensure that all coupling nuts are tightened. Turn on the main water supply, and check for leaks. Repair as needed.

The height of handshower holder can be adjusted by pressing the pinch cock and sliding up and down.

清理说明

适用于所有加工处理过的表面:以中性肥皂水清洗镀层表面,再以干净的软布彻底擦干整个表面。许多清洁剂,比如氨水、去污粉及洁厕灵等,会对电镀表面造成伤害,切忌使用。

有磨损性的清洁用具或清洁剂也不可适用于科勒牌的水龙头及其配件上。

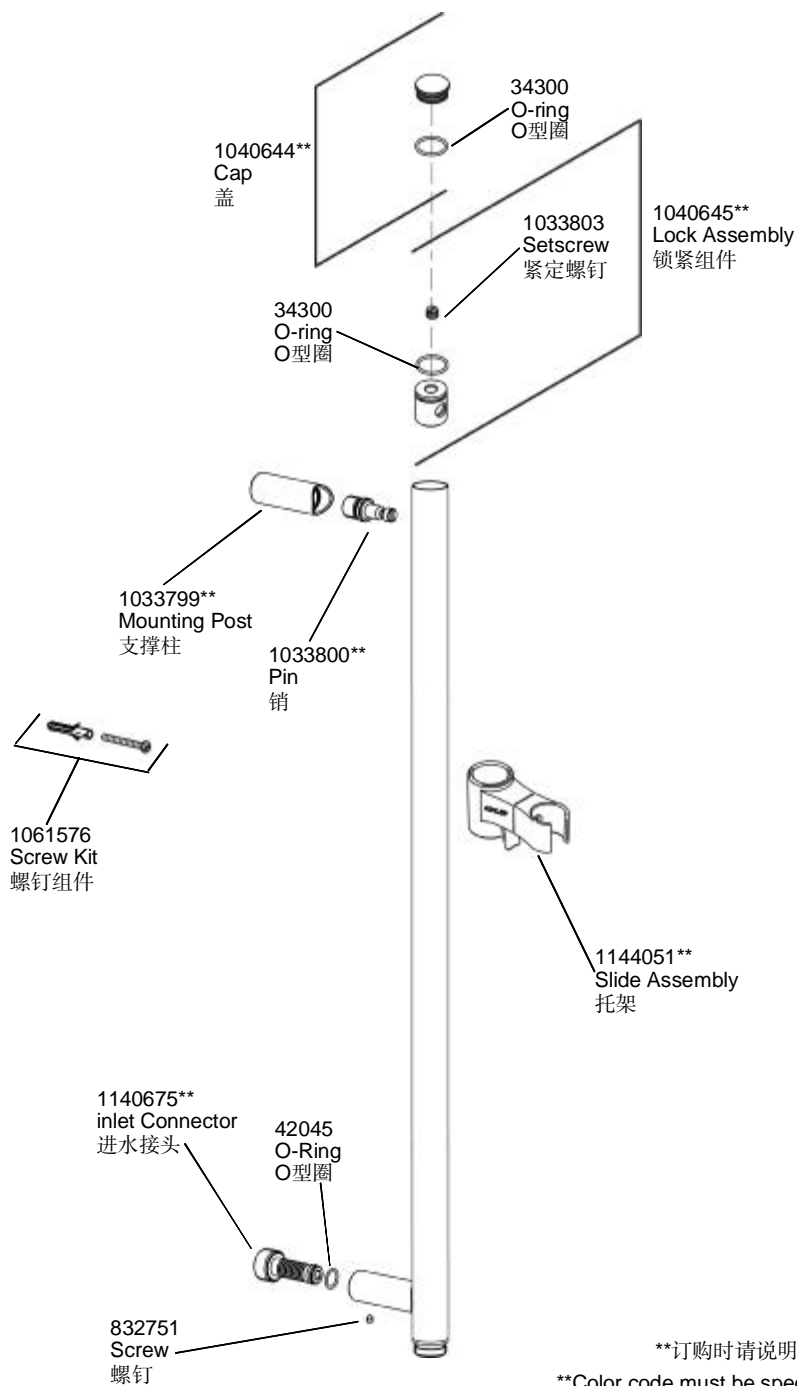
CLEANING INSTRUCTIONS

All Finishes: Clean the finish with mild soap and warm water. Wipe entire surface completely dry with clean soft cloth. Many cleaners may contain chemicals, such as ammonia, chlorine, toilet cleaner etc. which could adversely affect the finish and are not recommended for cleaning.

Do not use abrasive cleaners or solvents on Kohler faucets and fittings.

2738T

墙出水滑动花洒支架



北京科勒有限公司
中国北京市密云县果园西路 27 号 邮编: 101500