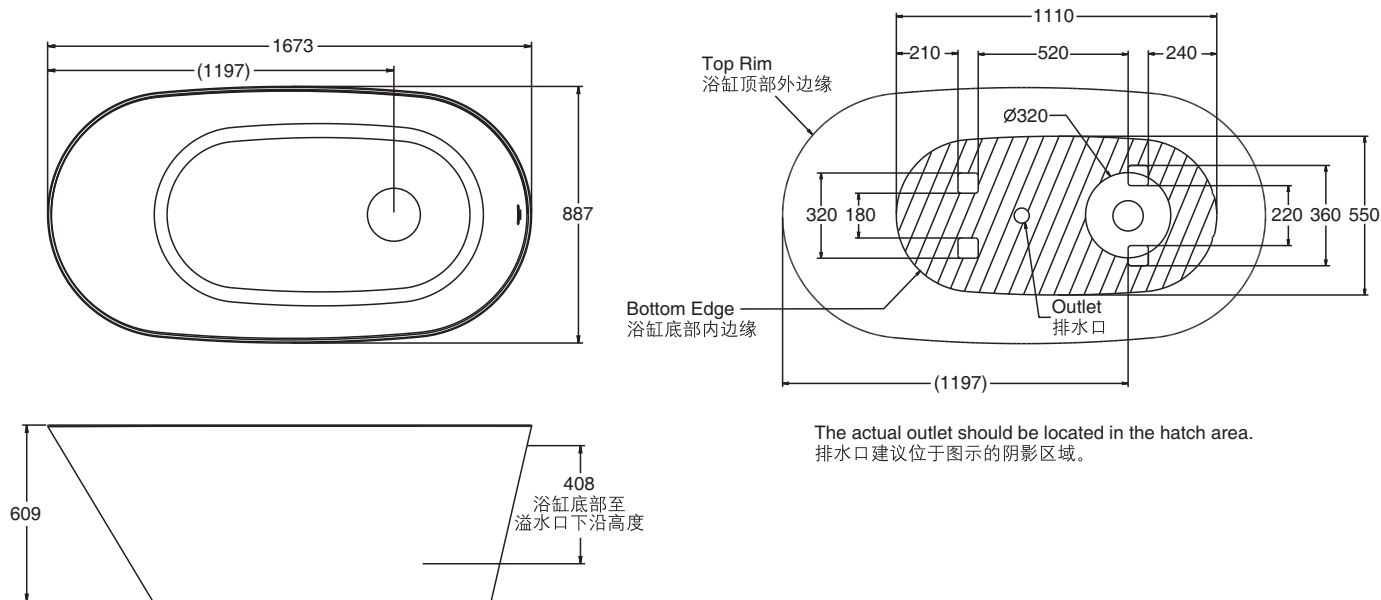


ROUGHING-IN 产品尺寸图 (Unit:mm)(单位:毫米)



The actual outlet should be located in the hatch area.
排水口建议位于图示的阴影区域。

PRODUCT INFORMATION 产品信息

Water depth 深度 (To overflow hole bottom 至溢水孔底部)	408mm (毫米)
Capacity 水容量 (To overflow hole bottom 至溢水孔底部)	310L (升)
Basin area 底部面积	1047mm (毫米) × 505mm (毫米)
Top area 顶部面积	1643mm (毫米) × 813mm (毫米)

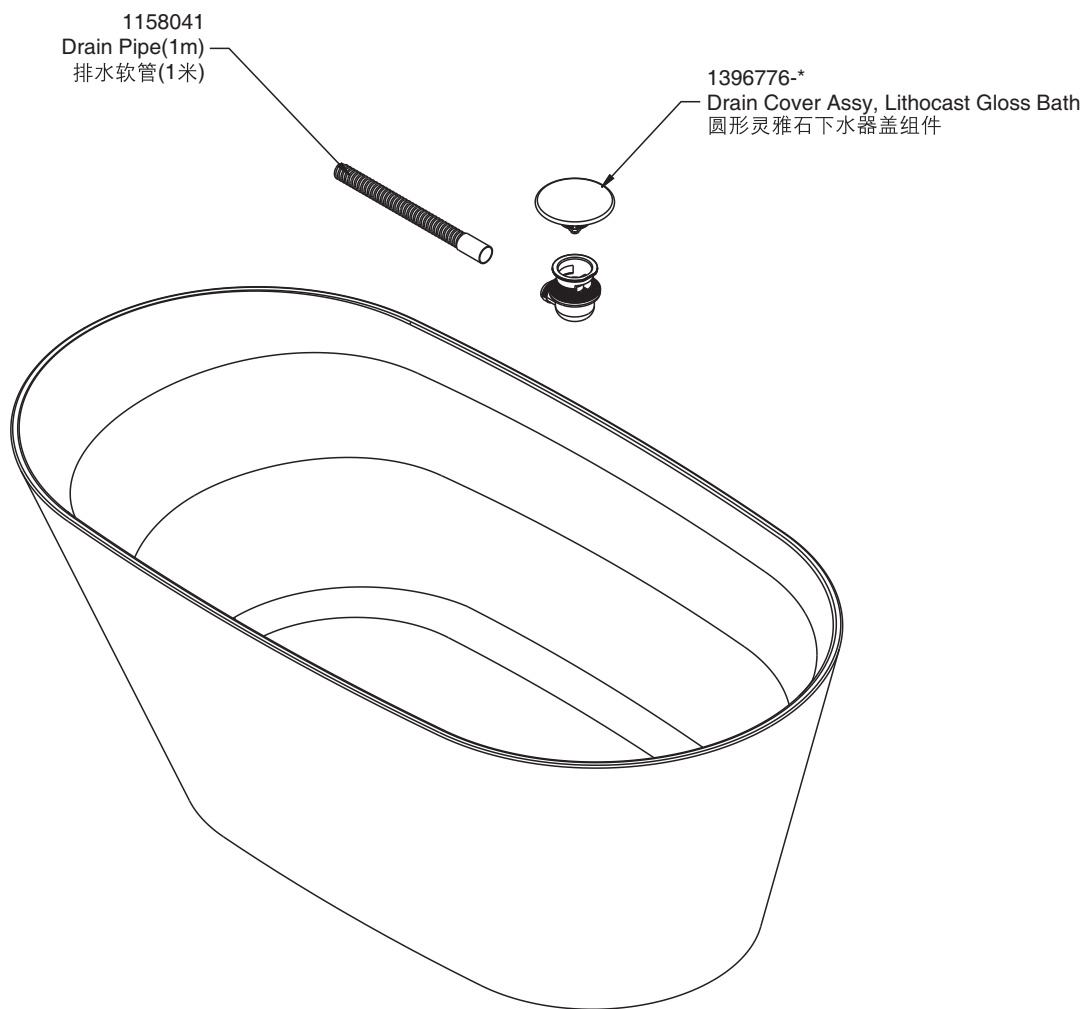
Installation Notes 安装注意事项

- Drain the bathtub after using it. Don't store water in the bathtub when it is not in use.
- 产品在不使用时, 不建议长期存水。
- Install this product according to the installation guide.
- 请根据说明书安装本款产品。
- LITHOCAST GLOSS baths are extremely heavy, making some installations difficult.
- 由于灵雅石浴缸非常重, 可能会给安装造成一定困难。
- **NOTE:** Use lifting straps to lift or move the bath.
- 注意: 在抬起或移动浴缸时推荐使用绑带。
- Unless otherwise specified floor support under bath must provide for a minimum of 510kg loading (including the weight of bathtub, water and one user).
- 除非另有说明, 否则浴缸下地面必须至少可以承载510kg的负载(包含浴缸、水及一名使用者的重量)。

Accessory Information 配件信息

Drain 落水1396777-*

Compiled information is subject to change without prior notice
收录信息如有变动恕不另行通知



Color code (-*) or finish (-**) must be specified when ordering.
订购时请说明颜色代码(-*)或表面处理(-**)