

BEFORE YOU BEGIN

安装之前

- Please read these instructions carefully to familiarize yourself with the required tools, materials, and installation sequences. Follow the sections that pertain to your particular installation. This will help you avoid costly mistakes. In addition to proper installation, read all operating and safety instructions.
- All information in these instructions is based upon the latest product information available at the time of publication. Kohler China reserves the right to make changes in product characteristics, packaging, or availability at any time without notice.
- These instructions contain important care, cleaning, and warranty information-**please leave instructions for the consumer.**
- MING wood shelf adopts natural wood. With further processing, its harmful emission is less than 1.5mg/L.
- Turn off the water supply.
- The plumbing installation must comply with Water Supply Regulations/Bye-laws, Building Regulations or any particular regulations and practices, specified by the local water company or water undertakers. The installation should be carried out by a plumber.
- Before installation carefully inspect the new fixture for any signs of damage.
- This product complies with GB 24977-2010.

- 请仔细阅读本指引，以便熟悉所需工具、材料及安装程序。请遵照适用的章节来安装本产品，以免安装失当导致不必要的损失。除了有关正确的安装方法之外，还务请详阅所有操作及安全指引。
- 本指引所载之一切资料，均以印刷时所有之最新产品情况为基础，科勒中国保留权利随时更改产品特性、包装或供应情况，恕不另行通知。
- 本指引也包含了有关保养、清洁及担保等重要资料-请交予用户保存。
- 明仕储物架选用天然实木精心加工而成，其有害气体释放量少于1.5mg/L。
- 关闭供水。
- 管道安装必须遵循当地所有给排水、建筑或者其他的特别规定。管道安装人员必须具备相应资格。
- 安装之前，仔细检查新产品是否有损伤。
- 本产品符合GB 24977-2010。

ORDERING INFORMATION

This installation covers the following products in the MING range:

MING 700mm Open Shelf-Retro.....K-20029T-RW1

订购信息

此安装说明书适用于以下明仕系列家具的安装：

明仕700mm储物架K-20029T-RW1

SAFETY WARNINGS

Kohler products are precision-engineered and should give continued superior and safe performance, provided:

1. They are installed, commissioned, operated and maintained in accordance with the recommendations given in this Manual.
2. Periodic attention is given, as necessary, to maintain the product in good functional order. Recommended guidelines are given in the **MAINTENANCE** section.

Carefully inspect the new fixture for any signs of damage.

When installing Kohler Products, manufacturers guidelines for power tool safety should be followed.

安全警告

科勒产品经过精确制造，性能卓越，经久耐用。为保证产品质量，您必须：

1. 按照此手册中推荐的方法进行安装、起动、操作及维护。
2. 如有需要，定期检查，令产品保持良好性能状态。日常维护章节中列有推荐方法。

仔细检查新产品是否有损伤。

在安装科勒产品时，必须遵循制造商相关电动工具的安全的指令。

KOHLER CHINA INVESTMENT CO., LTD NO.158, JIANG CHANG SAN ROAD,
ZHABEI DISTRICT, SHANGHAI, PRC POST CODE: 200436
科勒(中国)投资有限公司 上海市闸北区江场三路158号 邮编：200436

ROUGHING-IN

尺寸图

Reference Value
参考值

UNIT : mm
单位: 毫米

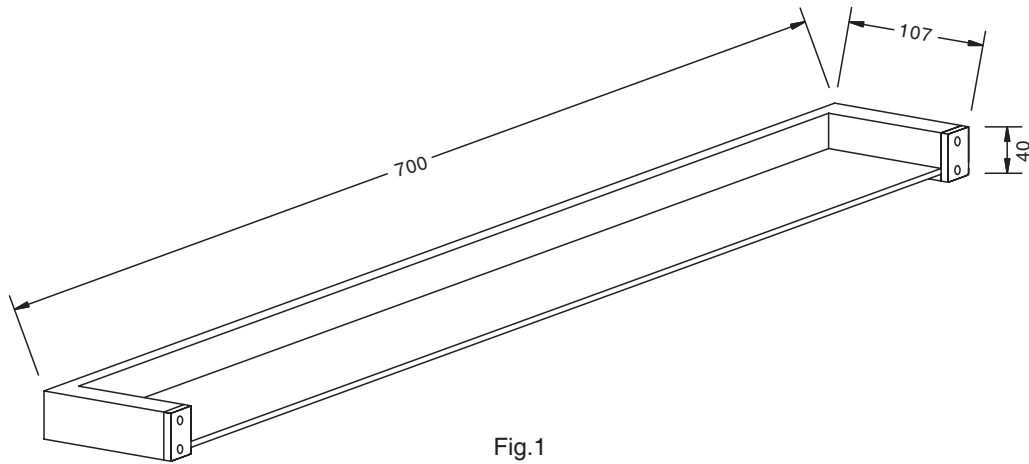


Fig.1
图1

Kohler reserves the right to change marked dimensions without prior notice.
科勒公司保留随时变更图中标示尺寸的权利，无需另行通知。

INSTALLATION

安装

1. Choose Desired Installation Position

Put the shelf at proper position on the cabinet (be sure not to interfere with the faucet and the suggested height is $\geq 200\text{mm}$ above the cabinet), see Fig.2. Mark drilling holes on the wall.

1. 选择安装位置

将储物架放在明仕浴室柜上面合适的位置（注意避免与水龙头的使用干涉，建议安装位置距离明仕浴室柜台面高度 $\geq 200\text{mm}$ ），见图2。确定好位置后用铅笔在墙面上做好标记，便于后续步骤打孔。

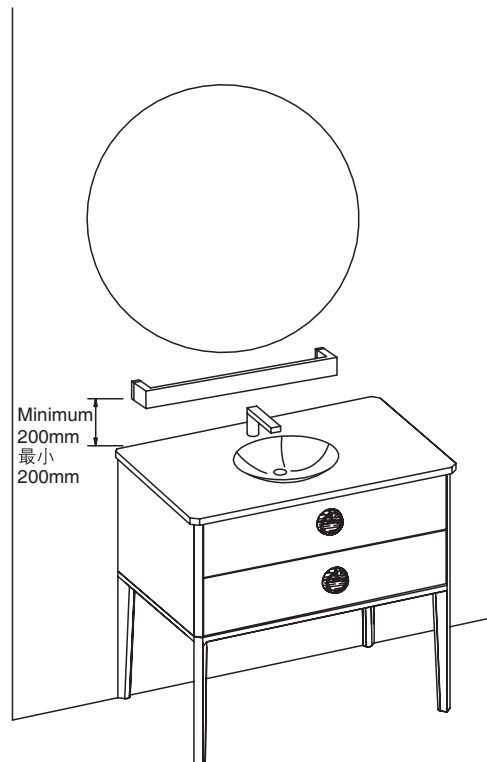


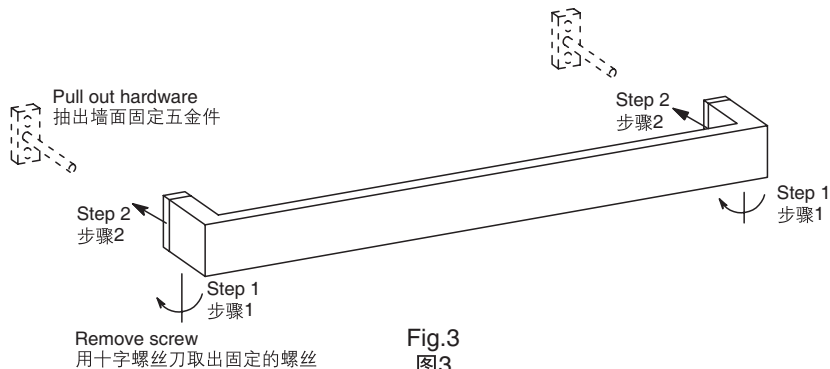
Fig.2
图2

2. Preparations

As shown in Fig.3, unscrew the 2 screws on bottom of the shelf and then remove the 2 hardware.

2. 准备

按图3所示步骤，先旋出储物架底部的2颗固定螺丝，再抽出2个墙面固定的五金件。

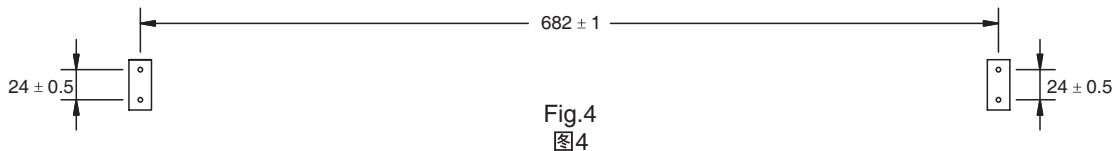


3. Fixing

Drill holes on the marked positions (in step 1) on the wall as shown in Fig.4. Insert expansion screws into the drilled holes and then fix the 2 hardware on the wall.

3. 固定

按步骤1中做好的墙面位置标记，参考图4在墙面上打孔。打好孔后将五金包中的膨胀管敲入墙面打好的孔中，再用五金包的配套膨胀螺丝把2个墙面固定五金件牢固地固定在墙面上。



4. Install Shelf

Align the 2 round holes on the shelf with the 2 rods and then push the shelf forwards. Tighten the 2 screws removed in step 2, as shown in Fig.5.

4. 安装储物架

将储物架上的2个圆孔对准墙面五金件的2根伸出的圆杆，推入储物架确保储物架与金属件紧密结合。最后再用步骤2中取出的2颗螺丝按图5所示旋紧。

⚠ Note: The maximum load of the shelf is 6kg. Do not overload.

⚠ 注意：层板架可承受的最大负载为6kg，切勿放置超重物品。

