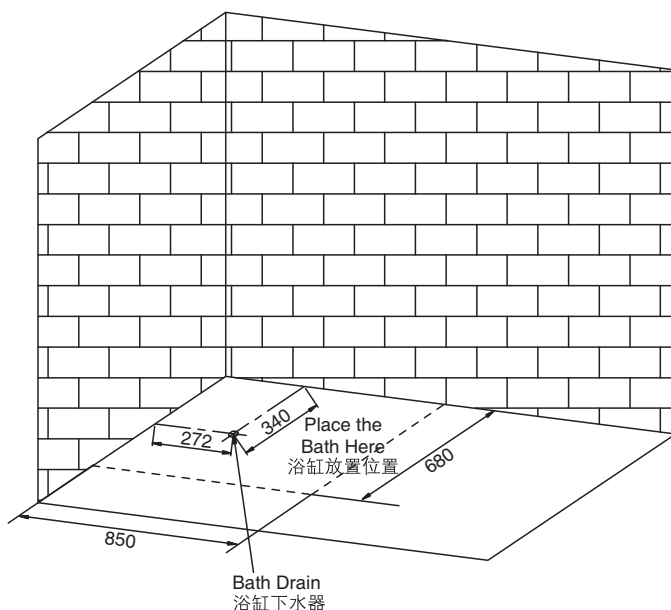
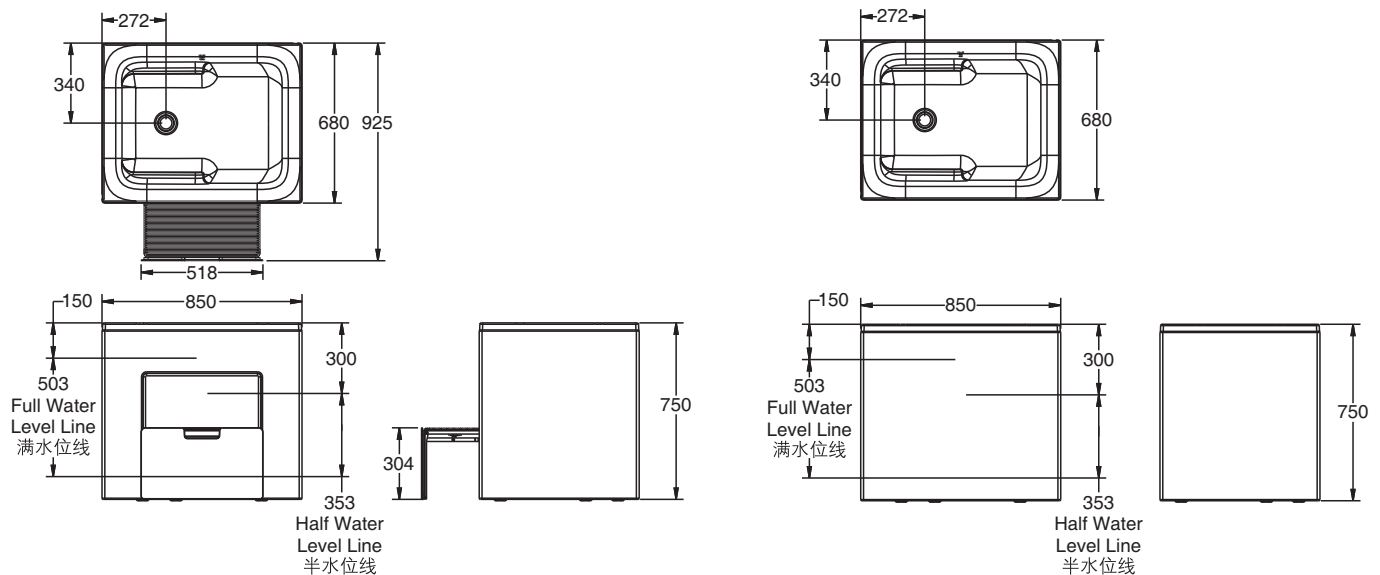


W/STEP LH CNR(带脚凳左角位) K-26757T-L  
 W/STEP RH CNR(带脚凳右角位) K-26757T-R  
 LH CNR(左角位) K-26759T-L  
 RH CNR(右角位) K-26759T-R  
 W/STEP LH OD(带脚凳左角位外排水) K-29058T-L  
 W/STEP RH OD(带脚凳右角位外排水) K-29058T-R  
 LH OD(左角位外排水) K-29059T-L  
 RH OD(右角位外排水) K-29059T-R

### ROUGHING-IN 产品尺寸图 (Unit:mm) (单位:毫米)

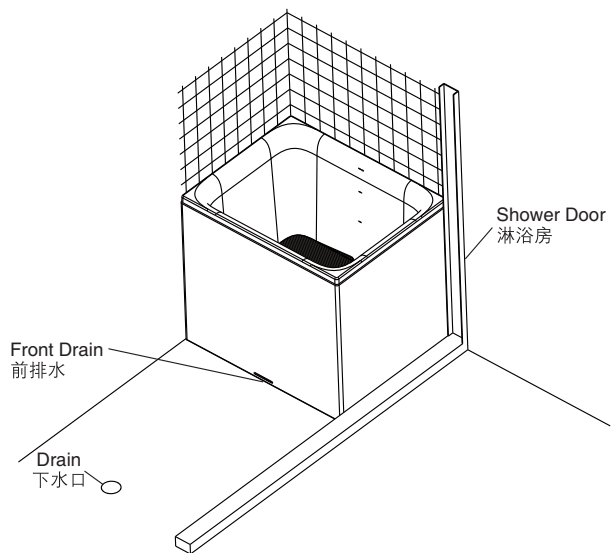
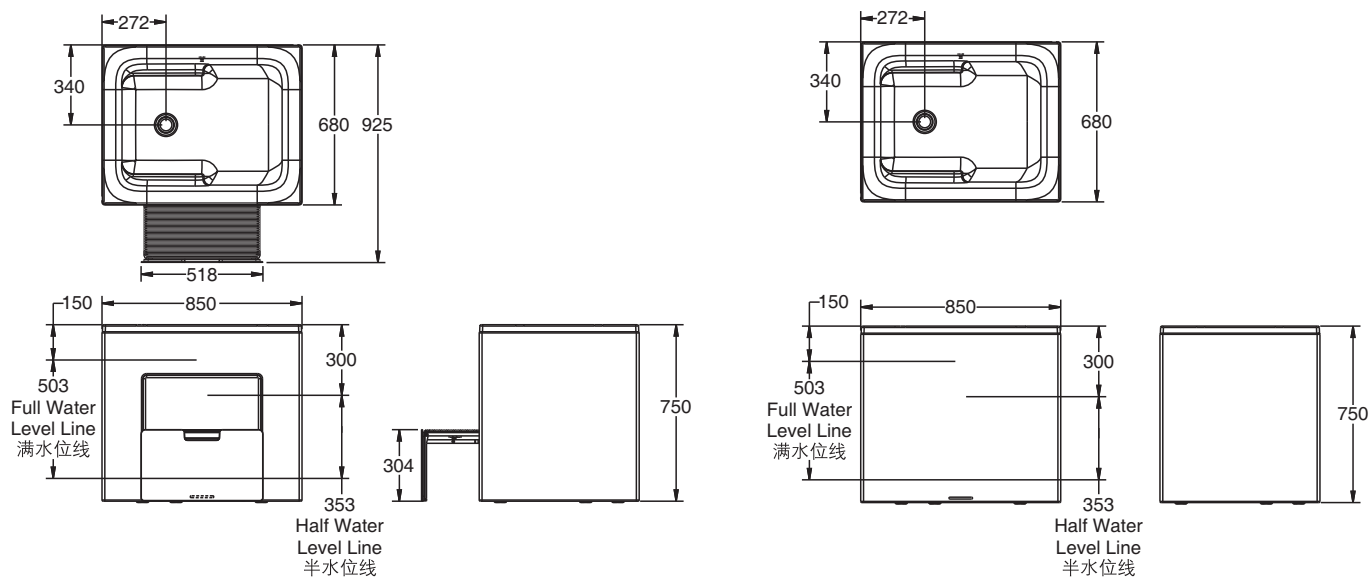


The actual outlet should be located in the area centering the shown bath drain and extending with the radius 75~350mm.  
 排水口应位于以图示浴缸下水器为中心，半径为75~350mm的范围内。

**Notice:** Please don't place outlet from bath feet, and make sure it within the bathtub area.  
 注意：请避开浴缸脚位置，并确保排水口在浴缸放置区域内。

When the bathtub is placed in the shower room, it is recommended to use Screen small strainer that matches the falling water.  
 浴缸放置在淋浴房内，推荐使用落水配套的小流量滤网。

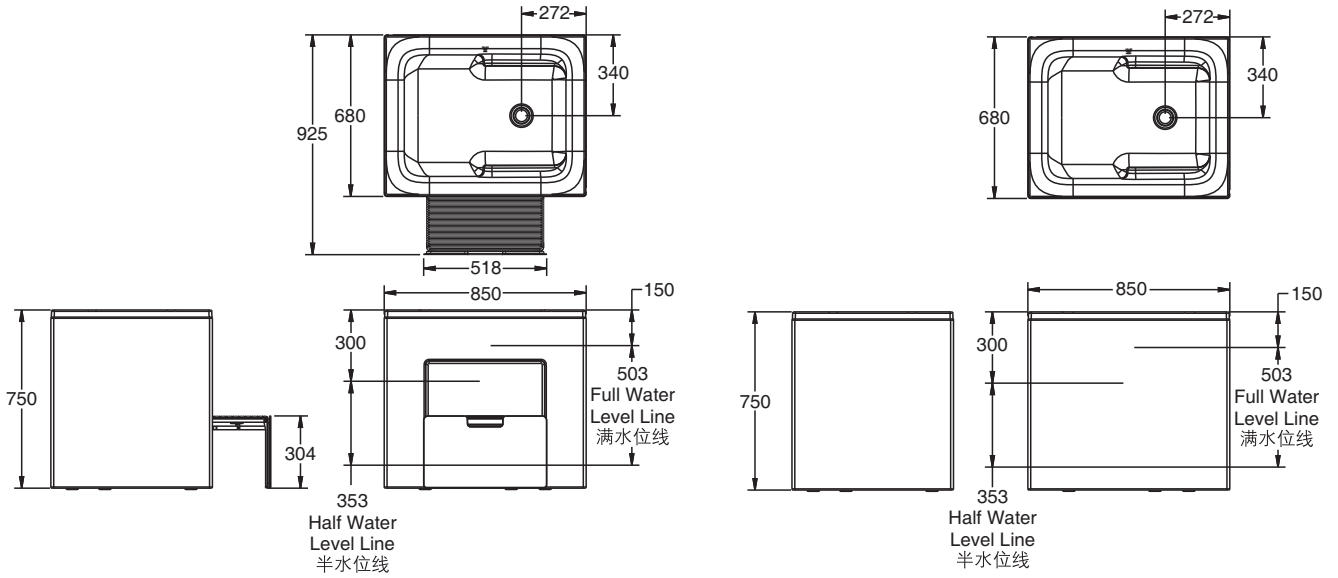
K-26757T-L/K-26759T-L  
 Three-dimension installation roughing-in  
 左角位立体安装尺寸图



K-29058T-L/K-29059T-L  
Three-dimension installation roughing-in  
左角位立体安装尺寸图

The drain hole shall be placed outside the bathtub.  
排水口应位于浴缸放置区域以外。

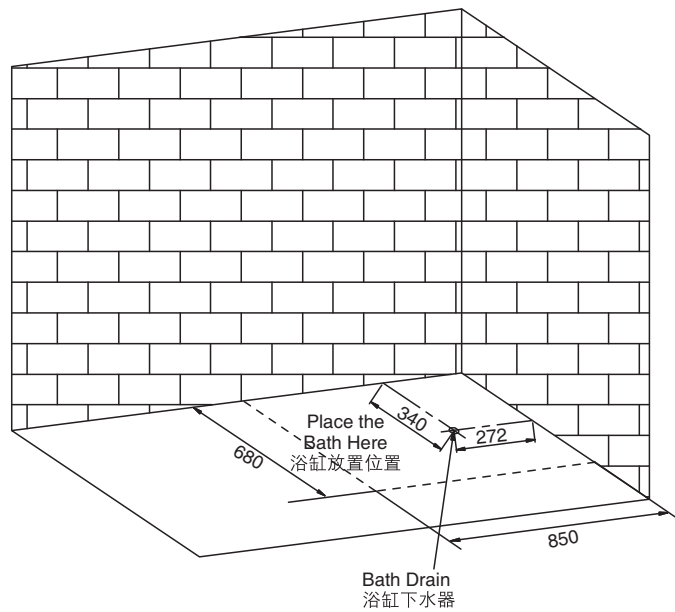
When the bathtub is placed in the shower room, it is recommended to use Screen small strainer that matches the falling water.  
浴缸放置在淋浴房内，推荐使用落水配套的小流量滤网。



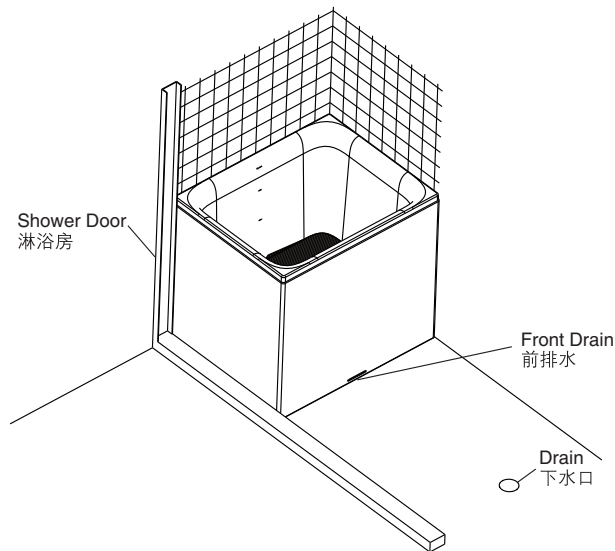
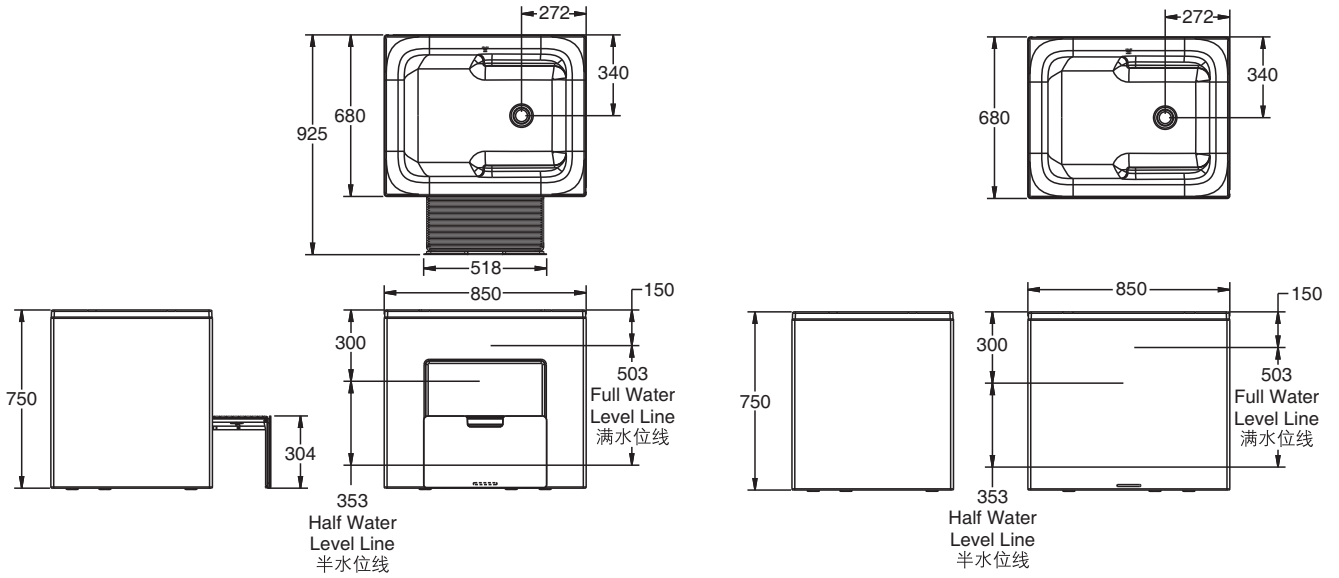
The actual outlet should be located in the area centering the shown bath drain and extending with the radius 75~350mm.  
排水口应位于以图示浴缸下水器为中心，半径为75~350mm的范围内。

**Notice:** Please don't place outlet from bath feet, and make sure it within the bathtub area.  
注意：请避开浴缸脚位置，并确保排水口在浴缸放置区域内。

When the bathtub is placed in the shower room, it is recommended to use Screen small strainer that matches the falling water.  
浴缸放置在淋浴房内，推荐使用落水配套的小流量滤网。



K-26757T-R/K-26759T-R  
Three-dimension installation roughing-in  
直角位立体安装尺寸图



The drain hole shall be placed outside the bathtub.  
排水口应位于浴缸放置区域以外。

K-29058T-R/K-29059T-R  
Three-dimension installation roughing-in  
直角位立体安装尺寸图

When the bathtub is placed in the shower room, it is recommended to use Screen small strainer that matches the falling water.  
浴缸放置在淋浴房内，推荐使用落水配套的小流量滤网。

## PRODUCT INFORMATION 产品信息

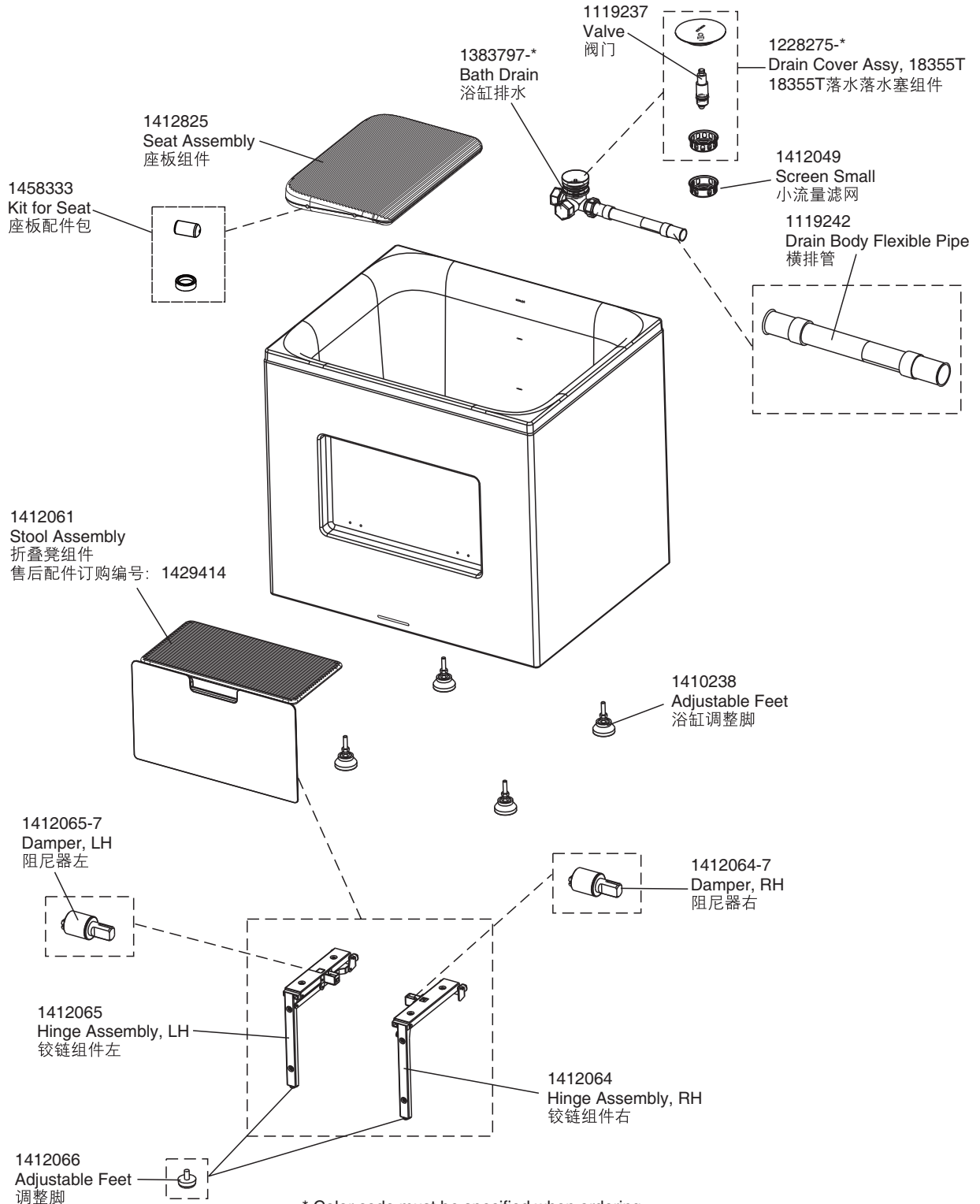
Water Depth 深度 (To Full Water Level Line 至满水位线)	503mm (毫米)
Capacity 水容量 (To Full Water Level Line 至满水位线)	177L (升)
Water Depth 深度 (To Half Water Level Line 至半水位线)	353mm (毫米)
Capacity 水容量 (To Half Water Level Line 至半水位线)	119L (升)
Basin Area 底部面积	564mm (毫米) × 393mm (毫米)
Top Area 顶部面积	832mm (毫米) × 662mm (毫米)

### Installation Notes 安装要点

- Refer to installation instruction included with fixture before beginning installation.
- 开始安装前请参考浴缸包装中的安装说明书。
- Unless otherwise specified floor support under bath must provide for a minimum of 500kg loading (including the weight of bathtub, water and one user).
- 除非另有说明，否则浴缸下地面必须至少可以承载500kg的负载(包含浴缸、水及一名使用者的重量)。

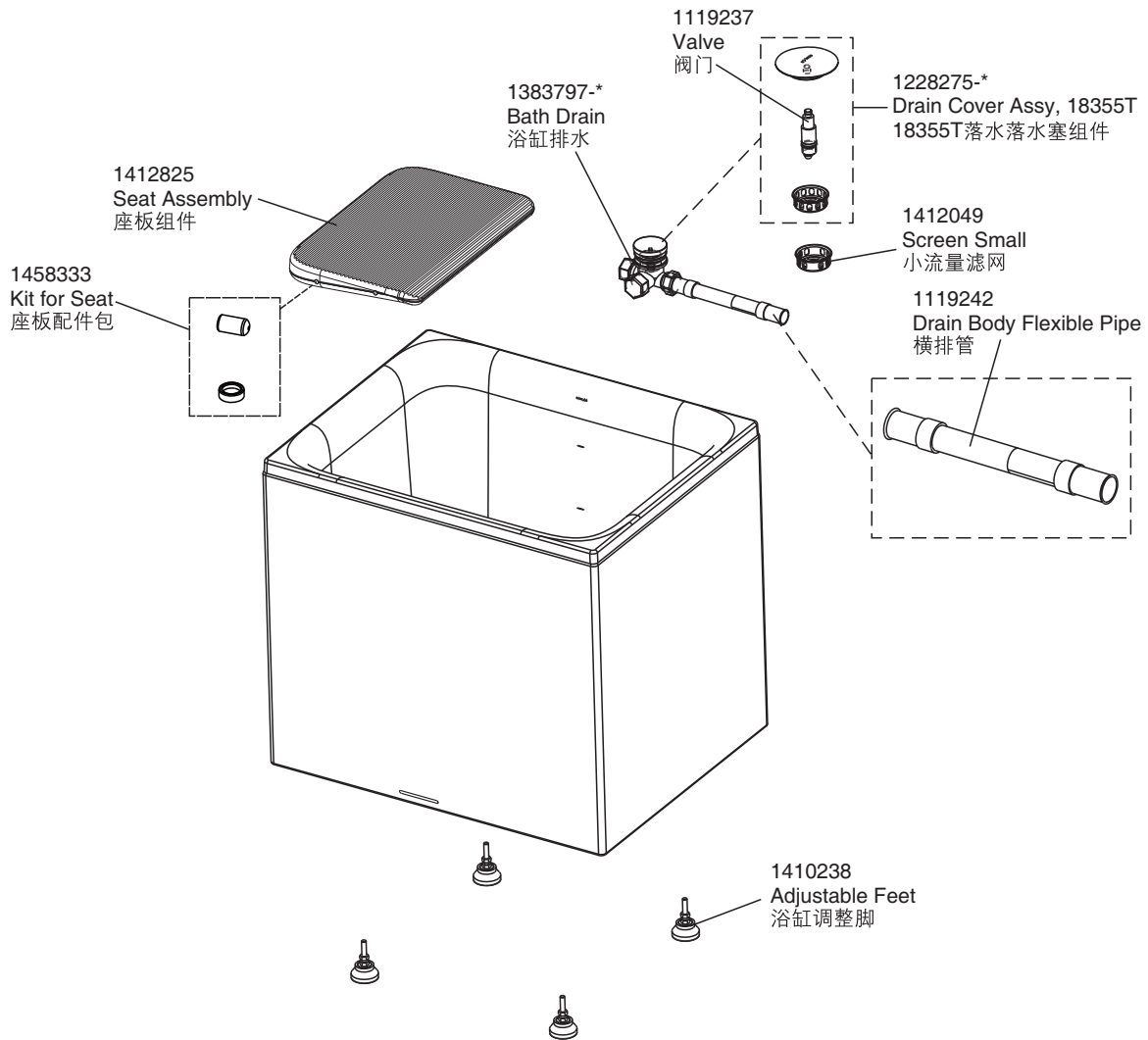
### Included Accessory Information 包含配件信息

Bath Drain 浴缸排水.....	1383797-CP
Seat Assembly 座板组件.....	1412825



\* Color code must be specified when ordering

\* 订货时必须指明颜色代码



\* Color code must be specified when ordering

\* 订货时必须指明颜色代码