

Record your model number: _____

INSTALLATION INSTRUCTIONS

TP HOLDER (W/ TRAY)

K-29221T-*/K-29222T-*/ K-29223T-*/ K-29227T-*/ K-29228T-*/ K-29231T-*

DOUBLE TP HOLDER (W/ TRAY)

K-29224T-*/K-29225T-*/ K-29226T-*/ K-29229T-*/ K-29230T-*/ K-29232T-*

All information is based on the latest product information available at the time of publication. Kohler Co. reserves the right to make changes in product characteristics, packaging, or availability at any time without notice.

Please leave these instructions for the consumer. They contain important information.

NOTE:

These products should be located and mounted to a wall. While it is possible to mount them to any surface, a stud, concrete and drywall mounted product will yield the best results.

DANGER: (Risk of personal injury)

These products are not designed or intended for use as a grab bar or support bar. Do not install any of these products in any area where they are likely to be used inadvertently as a grab bar or support bar.

Follow all local plumbing and building codes.

1. Drill bit

2A. TP HOLDER (WITH TRAY): Using the provided screw, secure the holder to the tray with a screw driver.

3B. DOUBLE TP HOLDER (WITH TRAY): Using the provided screw, secure the holder to the tray with a screw driver.

4. Position the tray on the wall and mark the hole points for drilling.

5. Drill diameter 3mm holes to install on stud, 8mm holes for drywall and 6mm holes for concrete wall.

6. No plugs are required, when mounted to a wood-panel wall.

6A. Installation of butterfly anchors to drywall.

Hold the butterfly anchor and fold the edges inside, insert the butterfly anchor into the drilled hole, stretch it with pin and tap with hammer until it flush with the wall.

7B. Installation wall anchor to Concrete wall: Install wall anchors into the hole and tap with hammer until it flush with the wall.

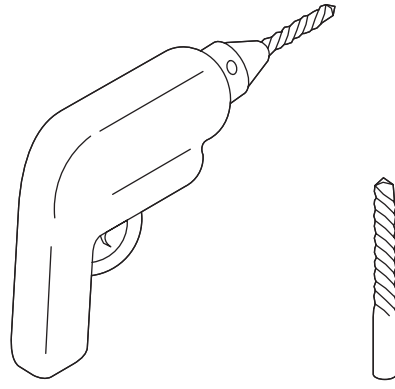
8. Use the screws provided in the accessory kit to secure the tissue holder to the wall through the retaining ring.

9. Secure the cover on the ring by screwing on top of the ring.

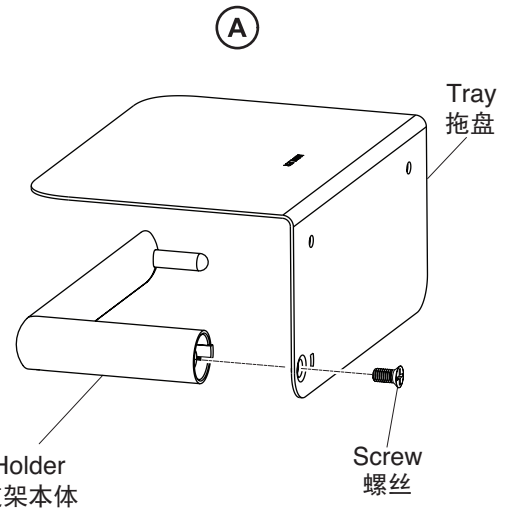
ROUGH-IN (Unit: mm).

10. K-29221T-*/K-29222T-*/K-29223T-*

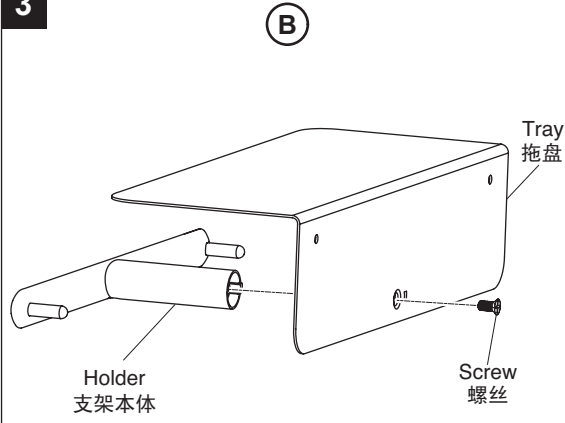
1



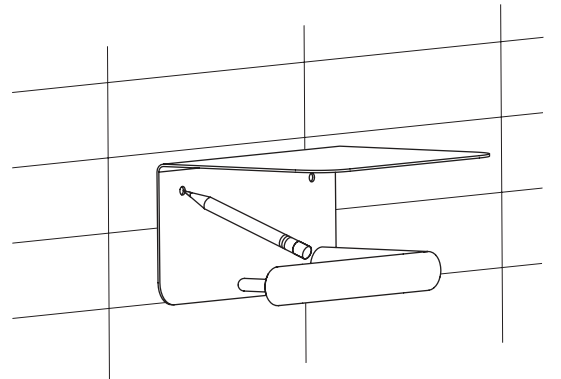
2



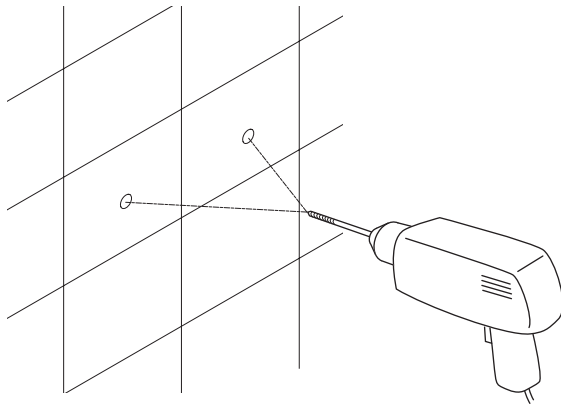
3



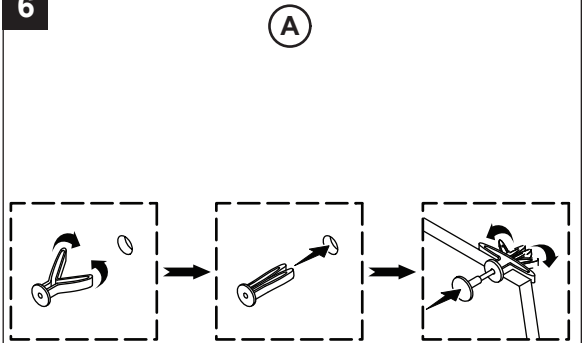
4



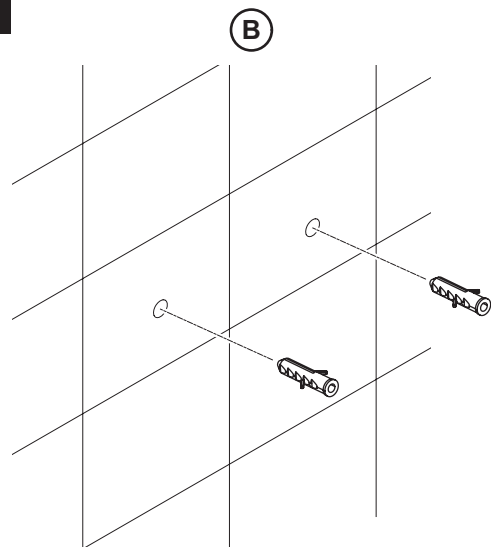
5



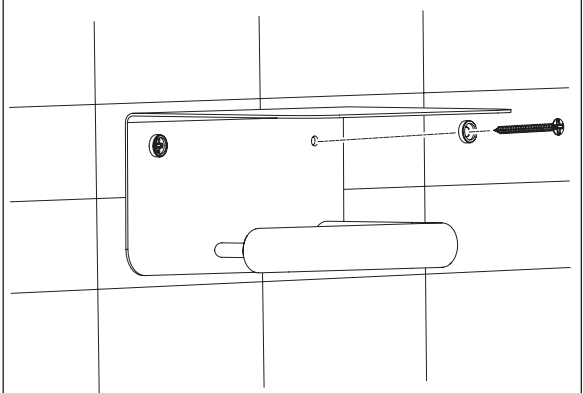
6



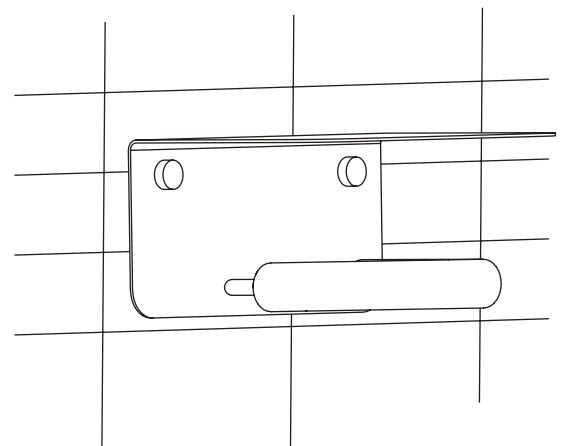
7



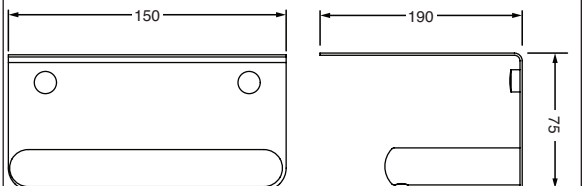
8



9



10



ROUGH-IN (Unit: mm).

11. K-29224T-*/K-29225T-*/K-29226T-*

12. K-29227T-*/K-29228T-*

13. K-29229T-*/K-29230T-*

14. K-29231T-*

15. K-29232T-*

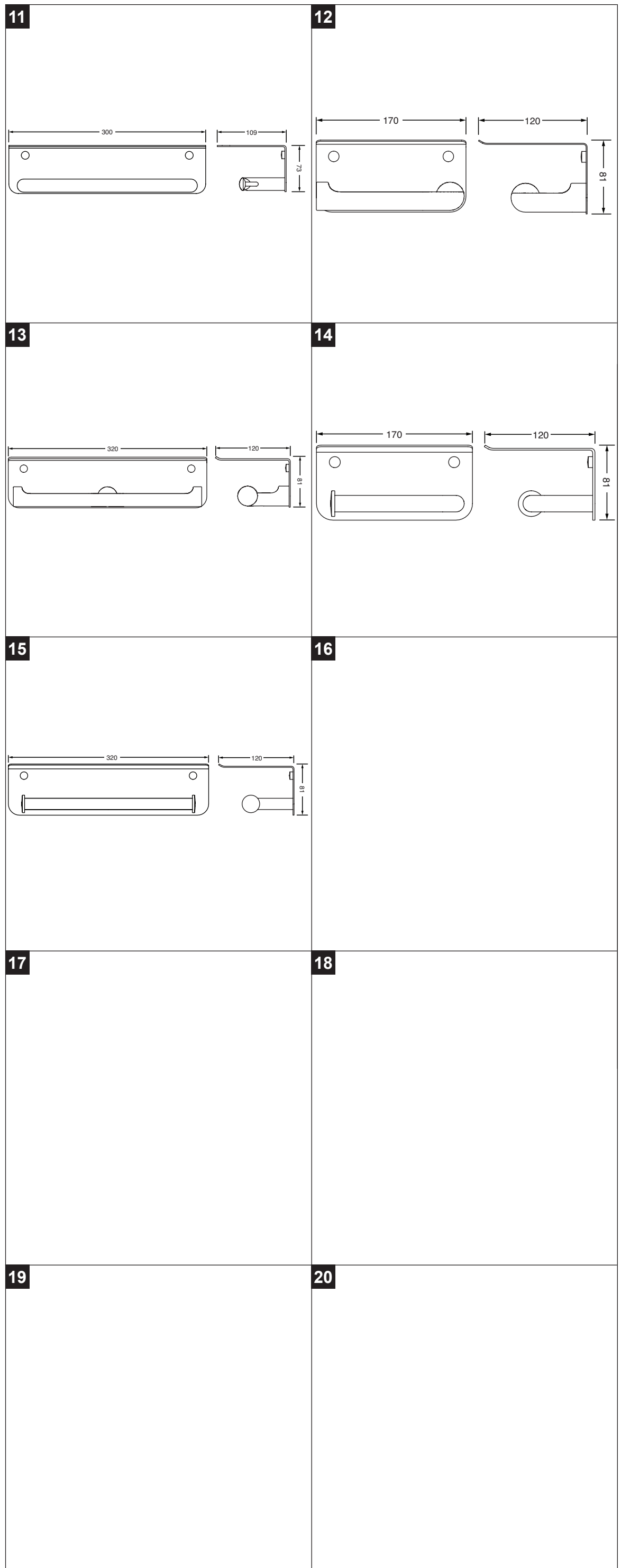
CLEANSING AND MAINTENANCE

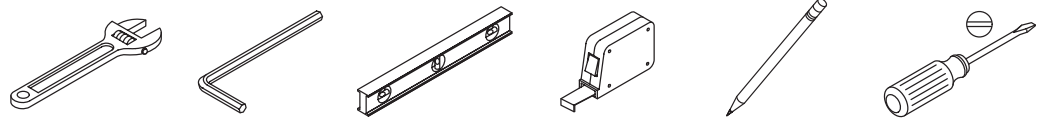
Please use mild cleaners (such as liquid cleaners and warm water) to clean the product. Do not use abrasive cleaning products or concentrated cleaners or the surface of this product may be damaged or this product may tarnish.

Please read the instructions of cleaners carefully to ensure that cleaners are suitable for this product. Before cleaning, please try to use cleaners to clean an inconspicuous part of the product.

After wiping the product with cleaners, please immediately wipe and rinse the surface with water. At the same time, wipe cleaners splashed around.

Please use soft and wet sponge or cloth. Do not use abrasive cleaning materials such as brushes or scouring pads.





记录您的型号： _____

安装说明书

卫生纸架 (带置物平台)

K-29221T-*/K-29222T-*/K-29223T-*/K-29227T-*/K-29228T-*/K-29231T-*

双层卫生纸架 (带置物平台)

K-29224T-*/K-29225T-*/K-29226T-*/K-29229T-*/K-29230T-*/K-29232T-*

所有的资料是按最新发布的产品资料编写而成。科勒公司保留任何时候不经通知即可改变产品特性, 包装或产品可供类型的权利。

说明书包括重要的安装, 保养及清洁方面的内容, 请把这些资料交给用户阅读。

注意事项：

本产品为水泥墙面安装, 木墙面安装和石膏板墙面安装。

若安装在其他表面可能影响产品性能。

危险警告：(人身伤害)

本产品不能作为扶手等支撑物使用, 请勿将产品安装在可能被误认为扶手等支撑物的位置。

遵守所有当地的管道和建筑规范。

1. 钻头

2A. 卫生纸架 (带置物平台): 使用提供的螺丝, 将支架固定到托盘上。

3B. 双层卫生纸架 (带置物平台): 使用提供的螺丝, 将支架固定到托盘上。

4. 标记钻孔位置。

5. 安装到木板墙上· 钻直径为3mm的孔。安装到石膏板墙上, 钻直径为8mm的孔。安装到混凝土墙上, 钻直径为6mm的孔。

6. 安装到木板墙, 则不需要涨塞。

6A. 将蝴蝶涨塞安装到石膏板墙上：握住蝴蝶涨塞并将边缘向内折叠, 插入钻孔内, 用销钉将其顶开并用锤子轻敲直到它与墙壁齐平。

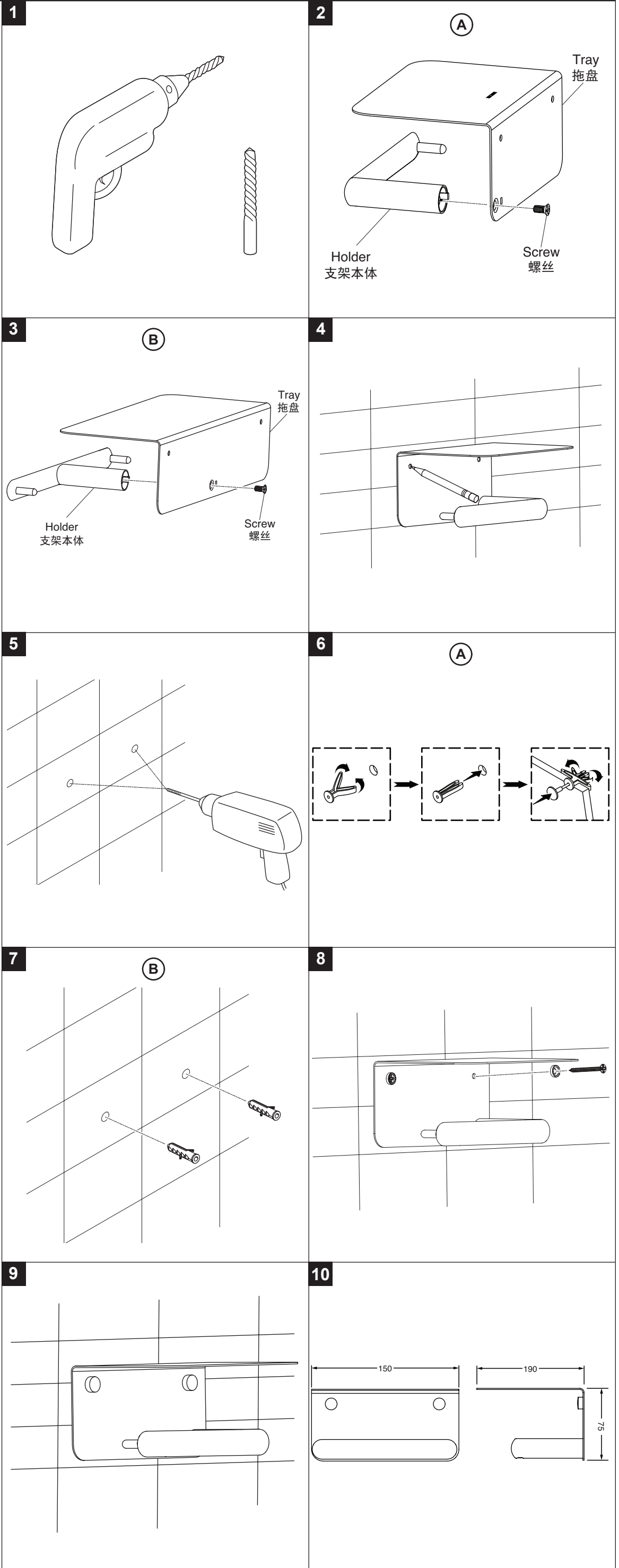
7B. 将涨塞安装到混凝土墙上：将涨塞插入钻孔内并用锤子轻敲直到它与墙壁齐平。

8. 使用附件包内提供的螺丝, 穿过固定环将纸巾架固定到墙上。

9. 将盖子拧到固定环上。

尺寸图 单位：毫米。

10. K-29221T-*/K-29222T-*/K-29223T-*



尺寸图 单位：毫米.

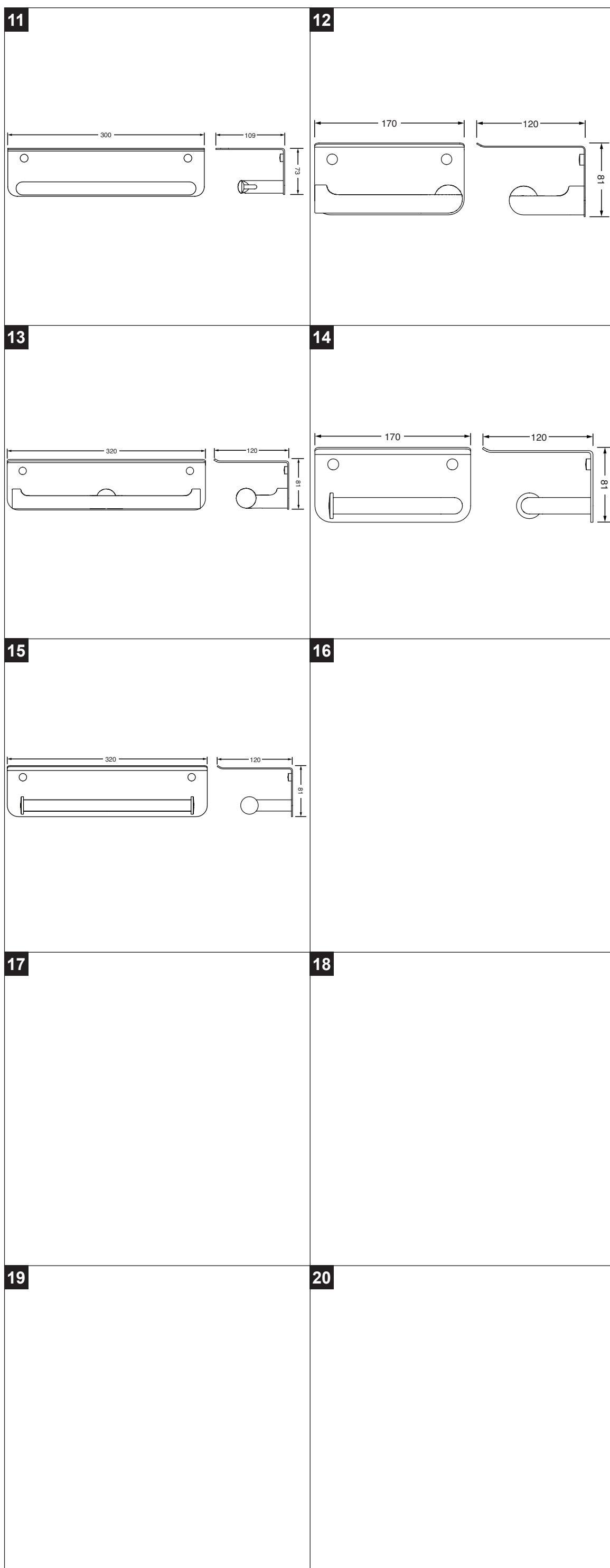
11. K-29224T-*/K-29225T-*/K-29226T-*

12. K-29227T-*/K-29228T-*

13. K-29229T-*/K-29230T-*

14. K-29231T-*

15. K-29232T-*



清洁和保养

在清洁产品时, 请使用温和的清洗剂·如液体清洗剂和 温水. 请勿使用研磨性的清洁用品或高浓度擦洗剂, 否则会损坏产品表面或使其失去光泽.

仔细阅读清洗剂的说明书, 以确保该类清洗剂适用于 本产品.

在清洗整个产品前, 请在产品的不显眼处试用该清洗剂.

在使用清洁剂擦洗产品后, 请立即用水擦净并冲洗表面. 同时请擦去溅洒到附近表面的清洁剂.

请使用柔软湿润的海绵或布·请勿使用刷子或百洁布等 磨损性的清洁材料.