

31141T-NA 双把墙出水脸盆龙头阀芯 A型
34667T-NA 双把墙出水脸盆龙头阀芯 B型

安装之前

所有的资料是按最新出版的产品资料编写而成。科勒公司保留任何时候不经通知即可改变产品特性、包装或产品可供类型的权利。

说明书包括重要的安装、保养及清洁方面的内容，请把这些资料交给用户阅读。

注意事项：

1. 一定要先彻底冲洗供水管以清除管道中的杂质。
2. 检查供水管有无损坏和漏水。如需要，进行替换和维修。
3. 遵守当地管路安装条例。
4. 埋墙前测试安装连接部位是否有渗漏，根据需要修理之。
5. 本产品只接受水压测试，且测试前需先排空管路及龙头之间的空气。测试水压不超过0.8MPa(8bar)，时间不超过30分钟。
6. 对于31141T-NA，搭配一字把手；对于34667T-NA，搭配十字把手或其它把手。

BEFORE YOU BEGIN

All information is based on the latest product information available at the time of publication. Kohler Co. reserves the right to make changes in product characteristics, packaging, or availability at any time without notice.

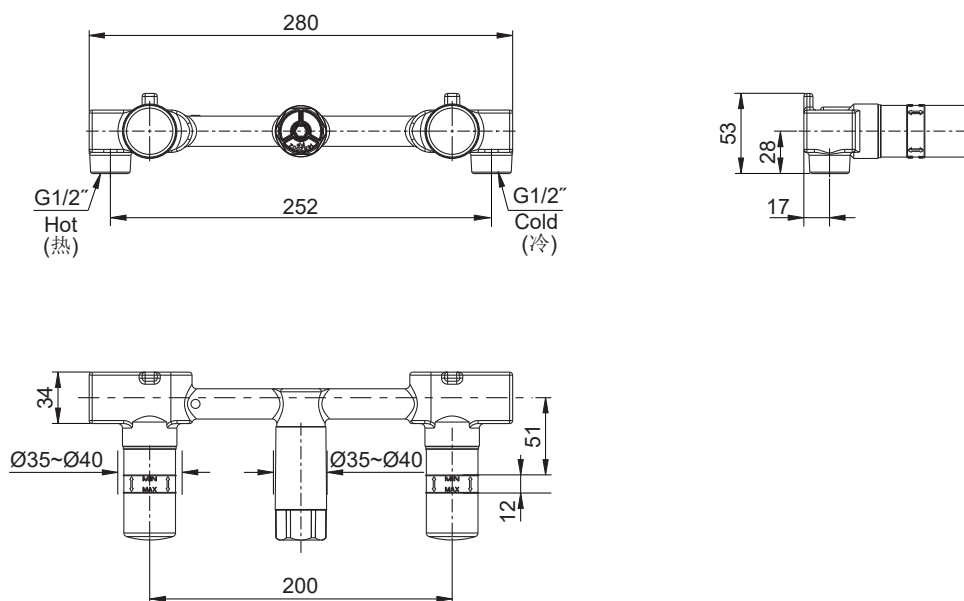
Please leave these instructions for the consumer. They contain important information.

NOTES:

1. Flush the water supply pipes thoroughly to remove debris.
2. Inspect the supply tubing for damage and leakage. Replace and maintain as necessary.
3. Observe local plumbing codes.
4. Check for leaks before covering the pipes, repairs as needed.
5. Please ensure only apply water pressure test on the product, and empty the air in pipe and faucet thoroughly before the test. Please ensure test pressure below 0.8MPa(8bar) and test duration within 30 minutes.
6. For 31141T-NA, match with lever handles. For 34667T-NA, match with cross handles or others.

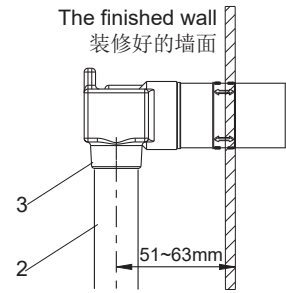
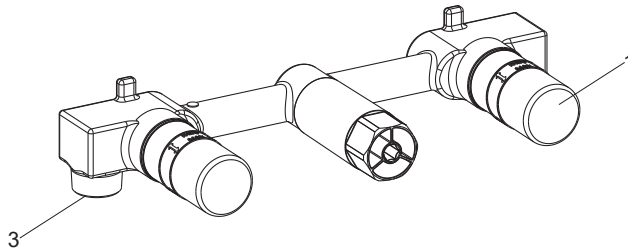
安装尺寸

ROUGH-IN DIMENSIONS



安装步骤

INSTALLATION



切勿在此时将保护套(1)移去。

Do not take off the protectors(1) at this moment.

连接螺纹为G1/2"的供水管(2)至混合栓进水处(3)。

Connect the G1/2" water supply pipes(2) to the supply yoke(3).

供水管路中心线与装修好的墙面之间距离应为51mm至63mm。贴红点一侧朝左，安装热水管。

The distance from centerline of the water supplies to the surface of the finished must be between 51mm and 63mm. Make sure the left supply pipe is the hot supply and connected to the end with red mark.

清洗说明

CLEANING INSTRUCTIONS

适用于所有加工处理过的表面：以中性肥皂水清洗镀层表面，再以干净的软布彻底擦干整个表面，许多清洁剂，比如氨水、去污粉及洁厕灵等，会对电镀表面造成伤害，切忌使用。

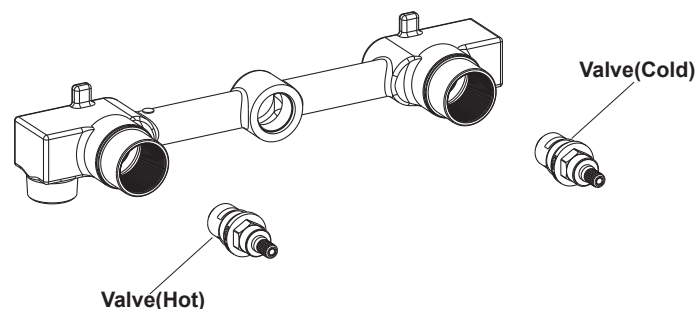
All Finishes: Clean the finish with mild soap and warm water. Wipe entire surface completely dry with clean soft cloth. Many cleaners may contain chemicals, such as ammonia, chlorine, toilet cleaner etc. which could adversely affect the finish and are not recommended for cleaning.

有磨损性的清洁用具或清洁剂也不可适用于科勒牌的水龙头及其配件上。

Do not use abrasive cleaners or solvents on Kohler faucets and fittings.

零件图

SERVICE PARTS



SKU	Valve(Hot)	Valve(Cold)
31141T-NA	835749	835750
34667T-NA	835750	835749

**订购时请说明颜色编号

**Color code must be specified when ordering