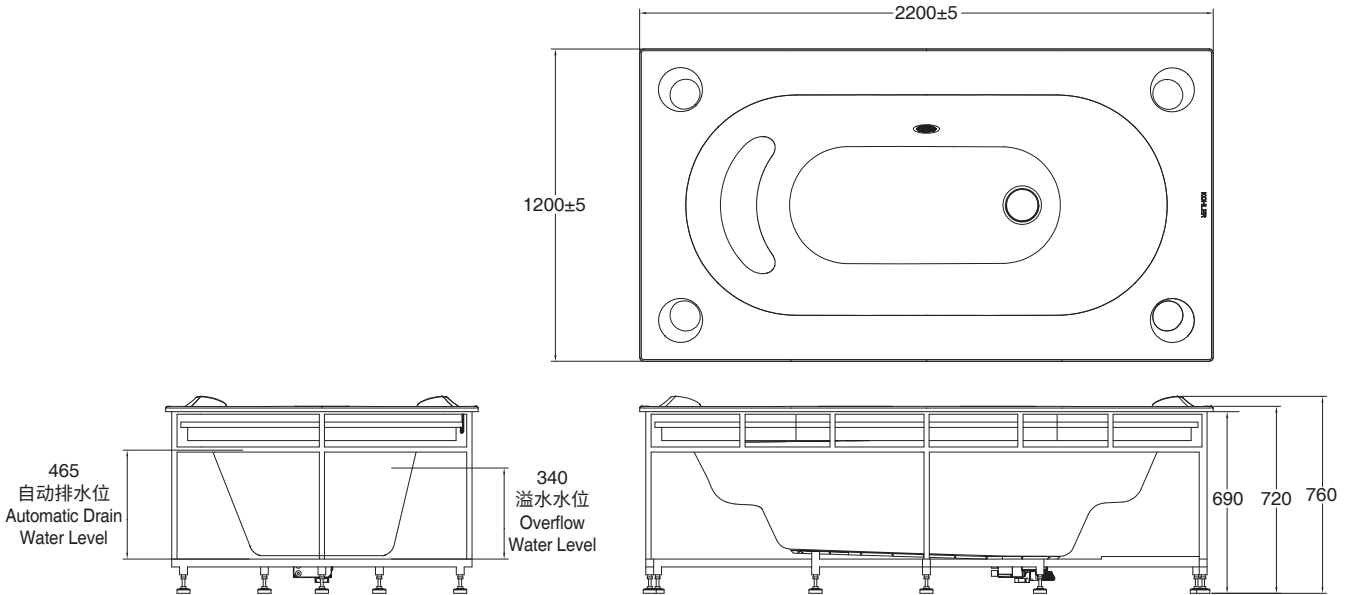


## FOUNTAINHEAD 2.0 VIBRACOUSTIC BATH, CLOUD (EXQ) 芳汀 2.0 升级水乐浴缸，云智能版 (EXQ)

K-EX24430T-XVBW

### ROUGHING-IN 产品尺寸图 (Unit: mm) (单位: 毫米)



Note: The water circulation can only be activated after the handrail is drowned by water in the bathtub.  
备注: 浴缸水淹没扶手才可以开启水循环

The installation position of the bathtub operation panel needs to be in a convenient position for manual control in the bathtub.  
浴缸操作面板安装位置, 此位置需安装在浴缸内人手方便操控的位置。

The main power switch controls all the power supplies associated with the bathtub.

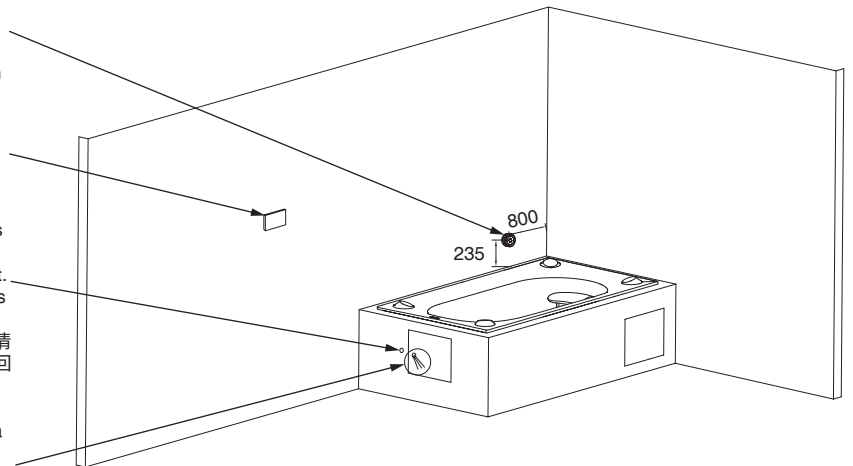
(The position of the switch should be away from the sputter area)  
电源总开关, 控制浴缸相关的所有电源。  
(开关位置应远离花洒溅射区域)

Install a cold water pipe (with a 4-point triangular valve) near the service door to connect the bathtub pipe cleaning interface. (Note: This cold water pipe needs to be always open. A 4-point hose is used to connect to the water inlet valve on the side of the bathtub's return seat. The pipe cleaning function cannot be used without connection with this water pipe.)

靠近维修门位置安装一路冷水管 (配 4 分三角阀), 用于连接浴缸管道清洁接口。(注意: 此冷水管需保持常开状态, 采用 4 分软管连接到浴缸回水座边上的进水阀, 不连接此水管, 管道清洁功能无法使用。)

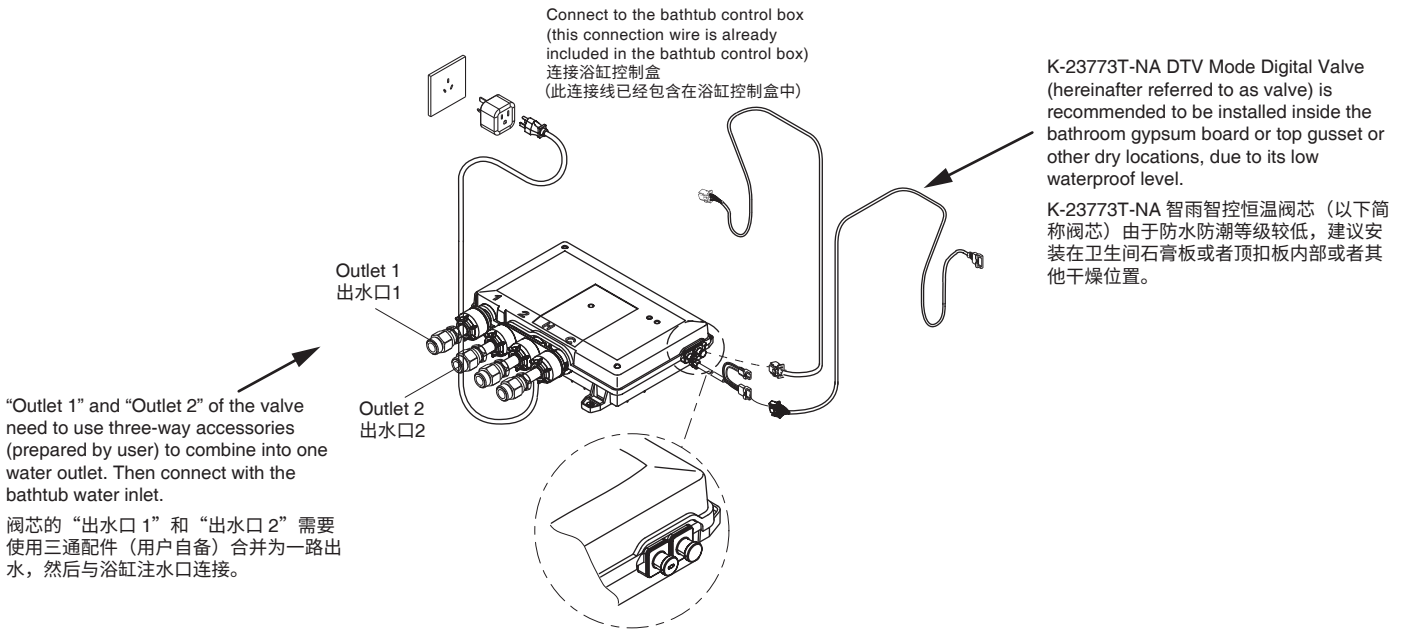
The 10A power cord consists of a positive pole, a negative pole, and a grounding wire. The power cord extends 1.5m in length and is used to connect the power junction box on the bathtub. The location is close to the service door, convenient for wiring and maintenance.

10A 电源线包含正极, 负极, 接地线。电源线伸出长度 1.5 米。用于连接浴缸上的电源接线盒。位置靠近维修门处, 便于接线接维护。



**This bathtub has its own back water inlet function and needs to be equipped with a water mixing valve when installing. The water mixing valve is connected to the back water outlet interface with no need to configure the faucet.**  
**此浴缸自带背部进水功能, 安装时需要配置混水阀, 混水阀连接至背部出水接口, 无需配置龙头出水嘴。**

## DTV Mode Digital Valve 智雨智控恒温阀芯



## Three-dimension Installation Roughing-in 立体安装尺寸图

Valve circuit connection: The valve needs to be installed in places equipped with a 220V 4A socket for supply power. There is a low-voltage signal connection wire (1298708) between the valve and the bathtub control box. The wires recommended to be pre-arranged inside the wall.

阀芯电路连接：阀芯安装位置需要配置一个 220V 4A 插座用于给阀芯供电，阀芯与浴缸控制盒之间有一根低压信号连接线（1298708）。建议配置线管预先排布在墙壁内部。

There is a low-voltage signal control wire in connection between the valve and the DTV Mode Bathtub Faucet Operation Panel (hereinafter referred to as valve panel). The wires recommended to be pre-arranged inside the wall.

阀芯与智雨智控浴缸龙头操作面板（以下简称阀芯面板）之间有一根低压信号控制线连接。建议配置线管预先排布在墙壁内部。

Valve water connection: This valve connects a hot water pipe and a cold water pipe. The connection mark of the cold and hot water pipes is shown in the valve body. If this bathtub is not equipped with a separate shower head, the two water outlets are combined into one-way outlet through a three-way pipeline. The combined outlet needs to be arranged from the wall to the bathtub service door, to facilitate the connection of the water pipe after the bathtub is placed.

阀芯水路连接：此阀芯输入一根热水管和一根冷水管，冷热水管连接标记见阀芯本体标识，此浴缸如果没有单独配置墙装花洒就需要把 2 个出水口用一个三通把 2 路出水合并为 1 路出水。合并后的出水口需要从墙壁安装水管排布到浴缸维修门位置方便浴缸放置后连接水管使用。

The main power switch controls all the power sources related to the bathtub. (The switch should be positioned far away from the spluttering area of the shower head)

电源总开关，控制浴缸相关的所有电源。（开关位置应远离花洒溅射区域）

The 10A power cord includes positive, negative and ground wires. The power cord extends 1.5m in length and is used to connect the power junction box on the bathtub. The location is close to the service door, convenient for maintenance.

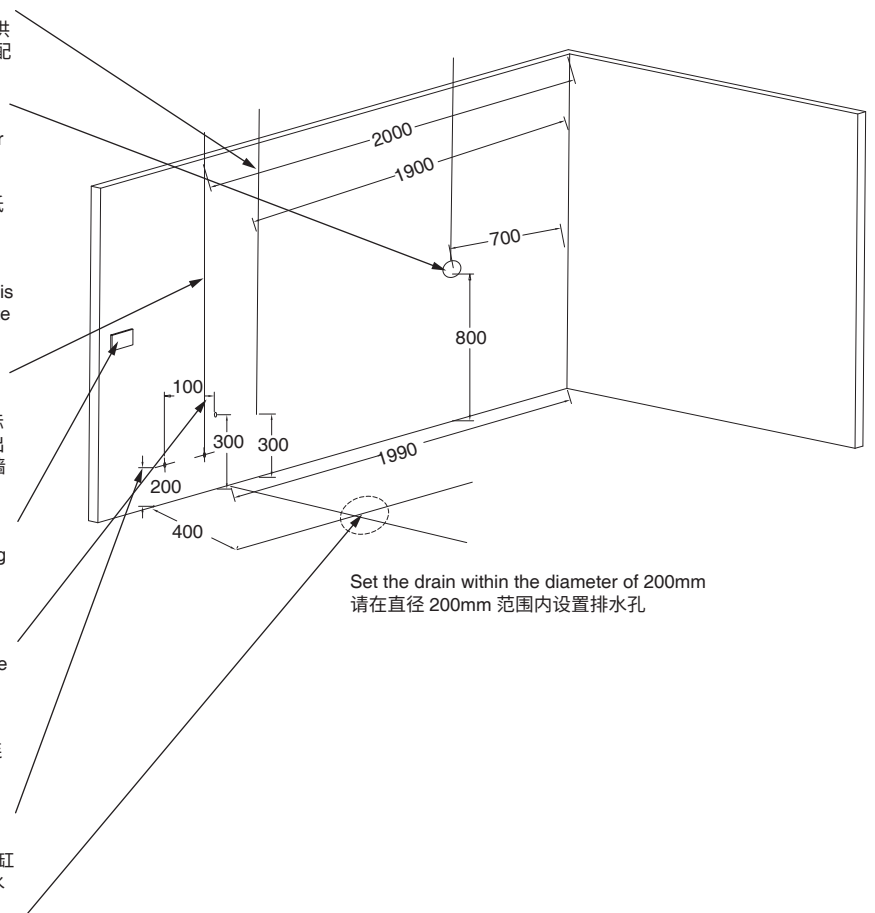
10A 电源线包含正极，负极，接地线。电源线伸出长度 1.5 米。用于连接浴缸上的电源接线盒。位置靠近维修门处，便于维护。

Install a cold water pipe (with a 4-point triangular valve) near the service door to connect the bathtub pipe cleaning interface.

靠近维修门位置安装一路冷水管（配一个 4 分的三角阀），用于连接浴缸管道清洁接口。冷水管需保持常开状态，采用 4 分软管连接到浴缸回水座边上的进水阀，不连接此水管，管道清洁功能无法使用。）

The position of the drain should be set within 200mm in diameter at this position.

排水口位置，设置在此位置直径 200mm 范围内。



## PRODUCT INFORMATION 产品信息

---

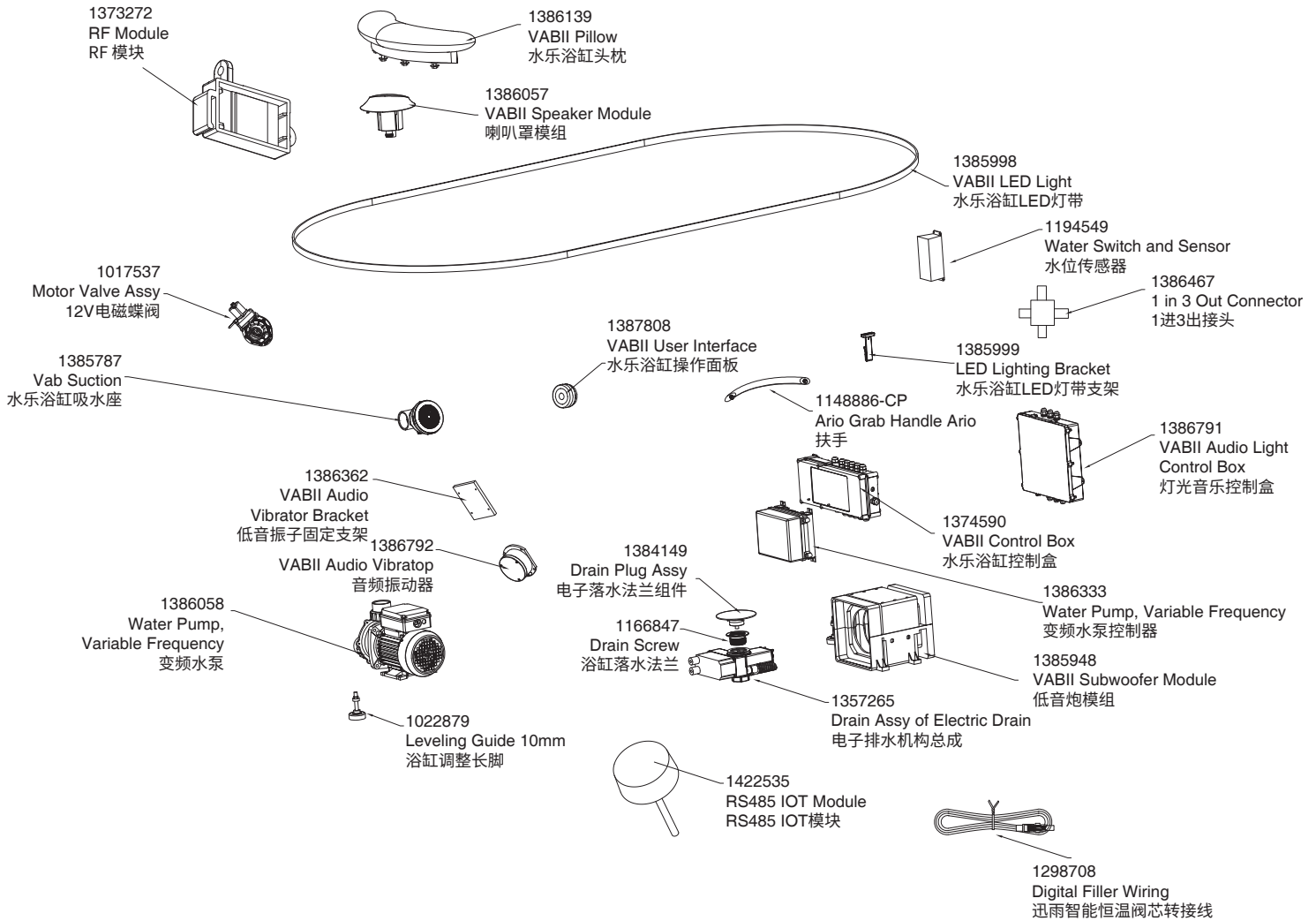
Dedicated branch circuit required, protected with Class A Residual Current Device (RCD): 需要专用的分支电路, 并以A级漏电保护器 (RCD) 保护:	
Voltage and Frequency 额定电压及频率	220V-240V(伏特), 50Hz(赫兹)
Input Power 额定输入功率	1900W(瓦)
Overflow depth 溢水深度 (To overflow 至溢水水位)	340mm(毫米)
Capacity 水容量 (To overflow 至溢水水位)	260L(升)
Basin area 底部面积	1120mm(毫米) × 540mm(毫米)
Top area 顶部面积	1900mm(毫米) × 840mm(毫米)

## RECOMMENDED ACCESSORIES 推荐配件

---

K-23773T-NA	DTV Mode Digital Valve 智雨智控恒温阀芯
K-23776T-7-CP	DTV Mode Bathtub Faucet Operation Panel 智雨智控缸边式 浴缸龙头操作面板

The automatic water injection function on the APP can only be used with DTV Mope Digital Valve. This valve core is not moisture-proof so it is recommended to be installed in the ceiling. The two outlets are combined with a three-way water outlet and connected to the water inlet pipe on the back of the bathtub. 只有使用智雨智控恒温阀芯, 才能使用APP上的自动注水功能, 此阀芯不防潮建议安装在吊顶内, 两个出水口采用三通合并为一路出水连接到浴缸背部进水管。



\* Color code must be specified when ordering

\* 订货时必须指明颜色代码