

BEFORE YOU BEGIN





- Please read these instructions carefully to familiarize yourself with the required tools, materials, and installation sequences. Follow the sections that pertain to your particular installation. This will help you avoid costly mistakes. In addition to proper installation, read all operating and safety instructions.
 - All information is based on the latest product information available at the time of publication. Kohler company reserves the right to make changes in product characteristics, packaging, or availability at any time without notice.
 - These instructions contain important care, cleaning, and warranty information—please leave these instructions for the consumer.
 - The product complies with QB2585-2007.
- 请仔细阅读此说明书以熟悉所需要的工具、材料及安装顺序。遵循适合您的特定安装要求的各项内容，避免昂贵的损失。除了要正确安装外，还应阅读操作及安全说明。
 - 所有的资料是按最新出版的产品资料编写而成。科勒公司保留任何时候无须通知即可改变产品特性、包装或产品可供类型的权利。
 - 说明书包括重要的安装、清洁及保养方面的内容，请把这些资料交给用户阅读。
 - 本产品符合 QB2585-2007。

安装之前


PRODUCT NOTICES

A. Installation Hazard Notification

DANGER: Risk of fire, electric shock, or injury to Persons. Read important safety instructions included in these instructions.

-  **WARNING: Risk of electrical shock.** A licensed electrician should make all electrical connections.
-  **WARNING: Risk of electrical shock.** Connect only to a circuit protected by a residual current device (RCD).
-  **WARNING: Risk of electrical shock.** Disconnect power before servicing.
-  **WARNING: Risk of injury or property damage.** Please read all instructions thoroughly before beginning installation, including the following Product Requirements.

NOTICE: Follow all local plumbing and electrical codes.
ATTENTION: Difference of the type of the plumbing, which may differ the drain speed.





-  **WARNING: Risk of damp.** Silicone sealant shall be applied to connections of the bath drain pipe and the bathroom drainage pipeline.

ATTENTION: Temperature deviation. Water temperature at different parts of the bath may not be the same, which may cause the temperature detected and shown on the panel slightly differ from the actual water temperature in the bath.

产品注意事项


A. 安装危险警告

危险：有起火、触电或人员受伤的危险。 请阅读本说明书内的重要安全指示。

-  **警告：有触电的危险。** 请找合格的电工来进行所有的线路连接。
-  **警告：有触电的危险。** 仅能和由漏电保护措施 (RCD) 保护的电路相接。
-  **警告：有触电的危险。** 工作之前先切断电源。
-  **警告：有受伤或财物受损的危险。** 开始安装之前，请先彻底阅读所有说明，包括以下的产品要求。

注意：请遵守所有的本地卫生管道和电气规范。

注意：由于用户的下水管道型式不同。可能使产品的排水速度不同。

-  **警告：产品严重受潮风险。** 浴缸排水管与浴室排水管道连接处应做密封处理。

注意：温度显示偏差。 由于浴缸内的水温不均匀，导致检测并显示到面板的温度可能同浴缸内的实际水温存在小的偏差。

SHANGHAI KOHLER LTD., NO.368, MIN LE ROAD,
FENG XIAN DISTRICT, SHANGHAI, CHINA POST CODE 201419
上海科勒有限公司 上海市奉贤区民乐路 368 号 邮编：201419

B. Factory-Assembled Parts

Factory assembled components include horn, lighting assembly, heating module, electronic drain, controller, power amplifier and power box.

WARNING: Unauthorized modification may cause unsafe operation and poor performance of the bath. Kohler Co. shall not be liable under its warranty or otherwise for personal injury or damage caused by any such unauthorized modification.

B. 有厂家组装的部件

由厂家安装的零件包括喇叭、灯光组件、加热模块、电子排水机构、控制器、功放和电源盒都已经在工厂组装完成。

警告：如果未经过授权而自行改装，可能造成浴缸在操作不安全及性能不良。若由于未经过授权而自行改装造成人员受伤或损害，科勒公司将不依据担保条例予以负责。

PRODUCT REQUIREMENTS

产品要求

A. Summary of Key Requirements

- Observe all local plumbing and electrical codes.
- Install the unit to the ground.
- Provide properly-dimensioned framing.
- Baths are designed for a variety of installations, depending upon actual situation.
- Silicone sealant should be applied to the connection of bath drain pipe and bathroom drainage pipe.
- For better back ventilation, it is recommended to use louver access to avoid moisture.

A. 关键要求的总结

- 请遵守当地的卫生管道和电气规范。
- 在水平地面上安装浴缸。
- 提供适当尺寸的结构。
- 浴缸的设计适用于不同的安装方式，请按实际情况来选定。
- 浴缸排水管与浴室排水管连接处应作密封处理。
- 为了利于浴缸背部通风，减小受潮风险，建议使用百叶窗式检修门。

B. Plumbing Specifications

This bath is designed with a back spout. Please connect the reserved port with a 1/2" hose after installing the mixing valve.

B. 卫生管道规格

此浴缸已经设计背部出水嘴，请在安装混水阀后用4分软管连接到预留的接口。

C. Product Inspection

Carefully unpack and inspect the whirlpool for damage. Leave all materials in the carton during constructions to prevent damage.

C. 产品检查

小心打开包装箱并检查浴缸是否损坏，施工期间将所有的材料都留在箱内，以防止损坏。

D. Electrical Connection

The installation must have a residual current device (RCD). The RCD protects against Line-to-ground shock hazard. Use a 220-240V, 10A(minimum), 50 Hz dedicated service for the massage bath.

D. 电气要求

安装时必须有漏电保护器（RCD）。RCD可避免线路接地故障而触电的伤害。请使用一条220-240伏特，10安培（最小），50赫兹的专用电路供浴缸使用。

INSTALLATION REQUIREMENTS

安装要求

A. Tools Required B. Materials Required

- Adjustable pipe wrench
- Rule
- Level
- Safety shoes
- Safety glasses
- Square
- Screwdriver
- Pliers
- Utility knife
- Pencil
- Measuring Tape
- Plumbers putty
- Wall coverings(if necessary)
- Silicone sealant
- Gypsum cement(optional)
- Construction adhesive (optional)
- Protective covering for bathtub
- Nails
- Silicone Sealant

Plus:

- Conventional woodworking tools and materials or conventional bricklaying tools and materials
- Drop Cloth
- Construction adhesive(optional)
- Cement or mortar (optional)

A. 所需工具

- 管道扳手
- 刻度尺
- 水平仪
- 安全鞋
- 安全眼镜
- 直角尺
- 螺丝刀
- 钳子
- 多用工具刀
- 铅笔
- 卷尺

附加:

- 常规木工和砖瓦工的工具和材料
- 垫布
- 建筑粘胶 (选用)
- 水泥和灰泥 (选用)

B. 所需材料

- 管道用油灰
- 墙面保护 (如需要)
- 密封硅胶
- 石灰水泥 (选用)
- 建筑粘胶 (选用)
- 浴缸保护套
- 钉子
- 密封硅胶

SITE REQUIREMENTS

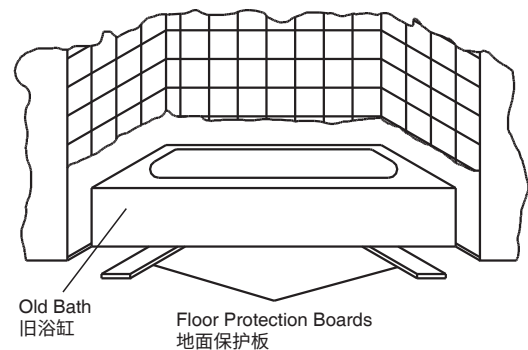
场所要求

A. Old Bath Removal (If Applicable)

Disconnect the drain at the trap. Remove the old wall material. Slip boards under the old bath feet to protect the floor, and slide the old bath out of the recess as illustrated.

A. 拆除旧浴缸 (如需)

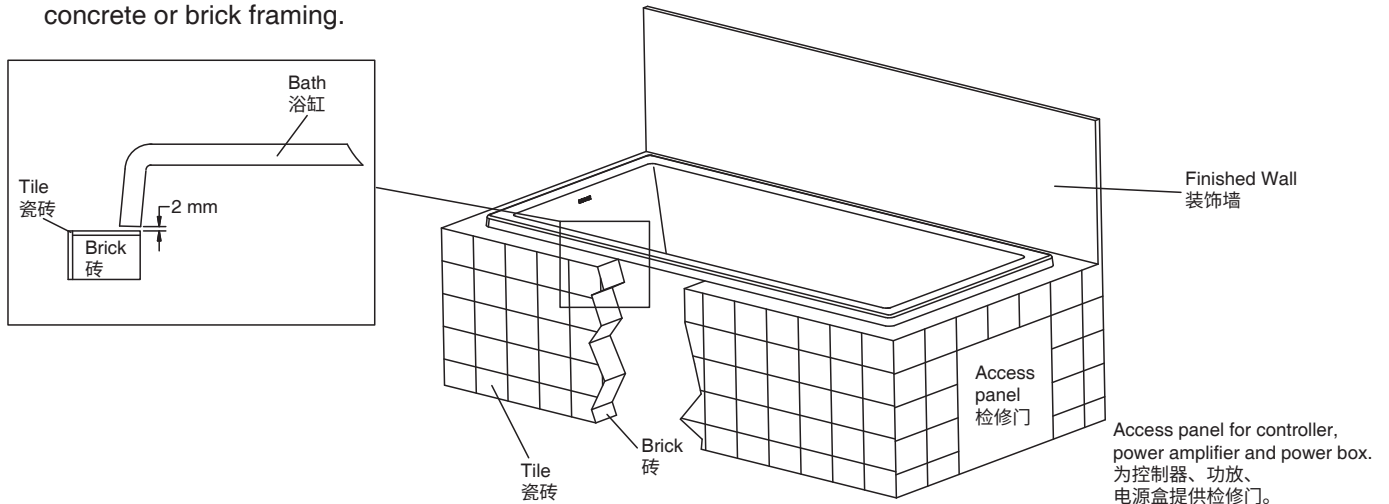
在存水弯处拆下排水管。清除所有旧墙材料。在旧浴缸下面塞入护板以保护地面，并如图所示把旧浴缸从安装空间拉出。



B. Prepare the Site

NOTICE: Unless otherwise specified, floor support under the bath must provide for a minimum of 80 lbs./square foot (390 kg./square meter) loading.

- Make sure the flooring offers adequate support for your bath, and verify that the subfloor is flat and level.
- The bath can be installed with corner installation or peninsula installation. Please choose desirable installation method.
- Build brick or concrete framing according to roughing-in.
- Install an access panel for the maintenance of controller, power amplifier and power box. Jalousie access is recommended. Please refer to roughing-in for exact location of access panel.
- Carefully arrange and cut the counter-top according to the template or roughing-in.
- Provide a 2mm gap between the bath rim and the concrete or brick framing.



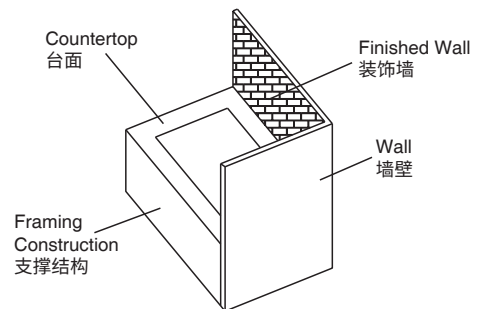
B. 场所准备

注意：除非特别注明，浴缸下面的底层地面必须提供至少80磅/平方英尺（390公斤/平方米）的荷载承重。

- 确保地面具有足够的支撑力支撑您的浴缸，并核实底层地面是水平的。
- 此浴缸可进行墙角安装或单面靠墙安装，根据实际情况选择合适的安装方式。
- 根据浴缸尺寸图信息建造砖头或者混凝土框架。
- 为控制器、功放和电源盒提供检修口。建议使用百叶窗式检修门。维修入口位置参见尺寸图。
- 使用安装切割图或根据安装尺寸图信息，仔细地规划并切割台面材料。
- 在浴缸边缘和柱型框架之间保留一个2毫米的缝隙。

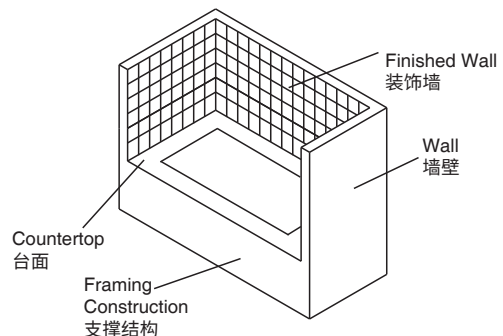
1). Corner Installation: The suggested framing construction is illustrated.

1). 墙角安装：建议墙角安装结构如图所示。



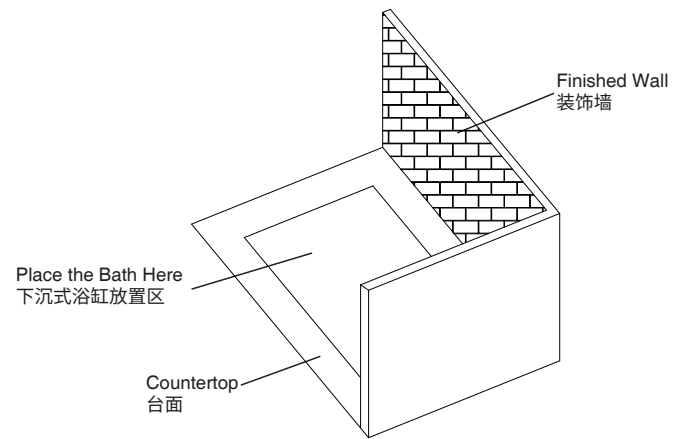
2). Recessed Installation: The suggested framing construction is illustrated.

2). 三面靠墙安装：建议的三面墙环圈结构如图所示。



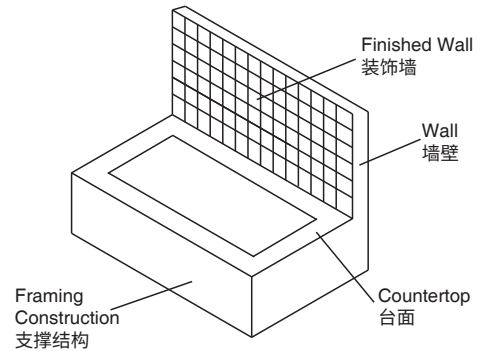
3). Sunken Installation: The suggested framing construction is illustrated.

3). 下沉式安装：建议的结构如图所示。



4). Peninsular Installation: The suggested framing construction is illustrated.

4). 单面靠墙安装：建议的单面靠墙结构如图所示。



C. Layout for Electric Circuit and Water Supply Pipe

Refer to Roughing-In.

C. 浴缸电气线路及水路布局

详见尺寸图水电布局。

BEFORE INSTALLING WHIRLPOOL

安装按摩浴缸之前

A. Your new bath has been manufactured to the highest possible standards, it has been factory tested and approved.

A. 本浴缸质量上乘，已经工厂检测通过。

B. When removing bath from protective carton **DO NOT LIFT BATH BY PIPE WIRE AND OTHER PARTS.** Inspect for any possible damage that may have occurred in transit. Position a clean drop cloth or similar material in the bottom of the bath to protect the finish. Be careful not to scratch the surface of the bath.

B. 从起保护作用的纸箱中取出时，**请不要拎着管道、导线等零件部分将浴缸取出。**检查可能有搬运造成的损伤。放置时在浴缸底部垫上一块干净的布或类似材料，以保护浴缸表面的光洁度。注意：不要在浴缸表面造成划痕。

C. Identify access location before proceeding with installation.

C. 安装前，请确定检修门的位置。

NOTE: NO WARRANTY SERVICE WITHOUT ACCESS PANEL. Ventilation must be provided to access panel. Jalousie access is recommended.

注意：无检修门，不能获得保修。检修门应通风良好。建议使用百叶窗式检修门。

D. Refer to roughing-in to pre-arrange positions for hot and cold pipes, power supply and drainage hole before installation.

D. 请参考尺寸图上面的尺寸，在浴缸安装之前预排好冷热水管，电源和排水口。

IMPORTANT! Make sure of the installation position for the water mixing valve according to its shape and size. Then make arrangements for the hot and cold pipes.

注意！请根据所选混水阀的形状和尺寸，确定好混水阀在浴缸边的安装位置，然后再排布冷热水管。

INSTALL THE BATH

安装浴缸

CAUTION: Risk of product damage. Do not support the bath by the rim.

警告：存在产品受损危险。 请不要仅靠浴缸边缘支撑浴缸。

If the subfloor is not level, shim the bath support blocks as necessary.

如果底层地面不够水平，根据需要，利用扳手调整浴缸支撑脚的高度。

A. Place the Bath

- With help, carefully lift the bath into place. Avoid knocking the pipe, speaker, controller and other parts when lifting and moving the bath.
- Insert the drain tail piece into the bathroom drainage pipe. Make sure the bath is level and all feet are sufficiently supported.
- Remove the protective tape from the rim.

A. 放置浴缸

- 将浴缸小心地放置到位。搬动浴缸时，不要撞击管道、音响、控制器等零部件。
- 将排水管插入浴室排水管。确保浴缸处于水平位置，所有的支撑脚得到支撑。
- 将浴缸边缘的保护胶带移走。

B. Install the Plumbing

CAUTION: Risk of property damage. Ensure a watertight seal on the bath drain.

警告：存在产品受损危险。 请确保浴缸落水装置的水密性。

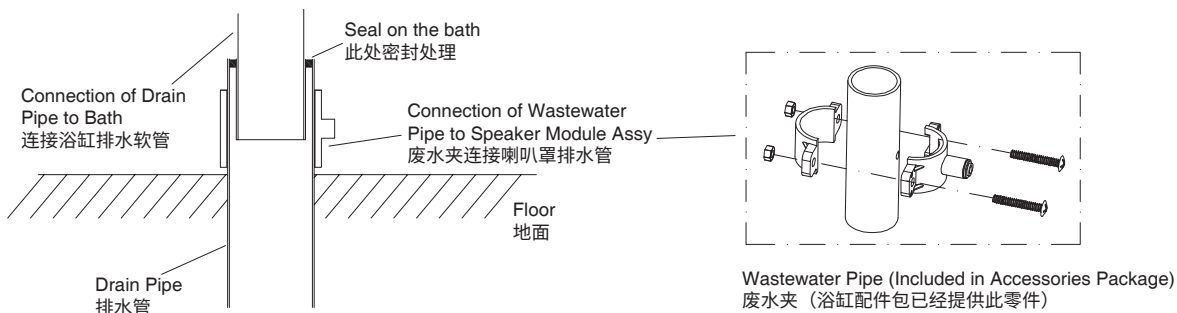
- Run water into the bath, and check the drain connections for leakage.
- Install the mixing valve according to the manufacturer's instructions, and connect the mixing valve outlet pipe with the inlet pipe of the water output parts on the back of the bath.
- Ensure a seal on the bath drain and the floor drain.
- Choose one of the following two ways of drainage connection:

- 将水注入浴缸，检查排水连接是否漏水。
- 根据混水阀生产商的说明安装混水阀，连接混水阀出水管道到浴缸背部出水部件的进水管道。
- 排水管与地漏连接处密封处理。
- 以下二种排水连接方式供选择（二选一），根据现场情况选择：

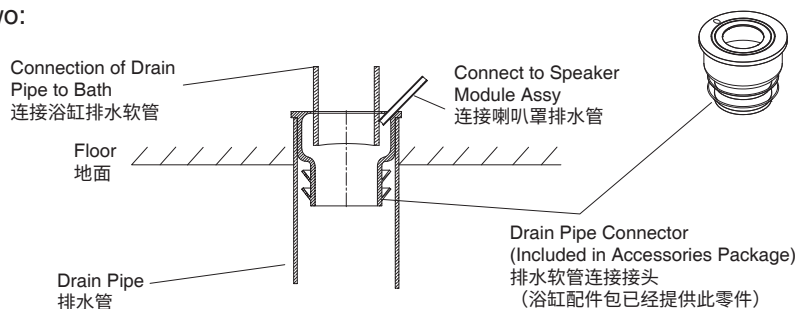
NOTE: An access panel will simplify future maintenance.

注意：预留检修门将有助于将来的维修。

Drainage Connection One:
方式一：



Drainage Connection Two:
方式二：



C. Circuit connection

⚠ WARNING: There is a risk of electric shock. To reduce the risk of electric shock, connect the junction box to a properly grounded circuit breaker protected by RCD.

Note: The bath has an electrical parameter label, which also indicates the rated voltage and current. The equipotential position is near the bath bracket, to connect to the building site. Your Kohler bath has a junction box. Please ask a licensed electrician to install a dedicated AC 220V, 10A line protected by RCD to the junction box.

C. 电路连接

⚠ 警告：存在触电危险。为降低触电危险，请将接线盒和正确接地的受地故障线路断路器RCD保护相连接。

注意：浴缸有电器参数标签，此标签上同时注明了使用的额定电压和电流。等电位位置浴缸支架附近，用于连接建筑地。你的科勒浴缸带有接线盒。请由一名持证电工安装一个专用交流220伏特，10安培的具有RCD保护的线与控制盒电源线盒连接。

D. Test Run the Bath

- Check all electrical connections.
- Make sure all piping connections are secure.
- Temporarily remove the plastic drop cloth or other protective sheeting from the bath.
- Refer to "Owner's Manual" to make sure that every function works well.
- Check the piping for leaks. If there is any leakage, repair or report it in time.
- Fill the bath with water and wait for a while. Open the access panel to check whether there is any leakage at the back.
- After checking, drain the bath.
- Return the plastic drop cloth or other protective sheeting to the bath. Check the drain connections for leakage.

D. 测试浴缸的运转

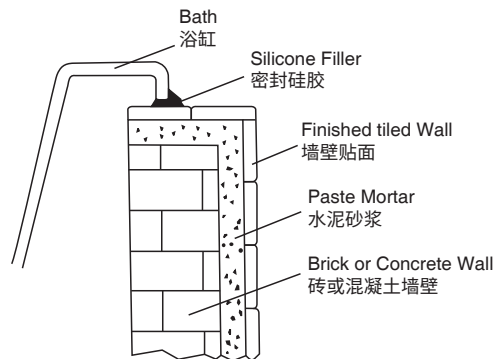
- 检查所有电路，确保连接良好。
- 确保所有管道连接安全。
- 暂时从浴缸上拿走塑料布或其他保护性材料。
- 请参照“用户手册”部分，确认各项功能正常。
- 检查管道是否漏水。如果有任何漏水现象，及时修理或报修。
- 浴缸里装满水并蓄水一段时间，打开维修门查看浴缸背面是否渗水。
- 检查完毕，进行排水。
- 将塑料布或其他保护性材料放回原位。

E. Seal the Bath Rim

For sunken type installation, construct the ceramic or marble tiles. Seal the joints between the bath rim and the tiled wall with silicone sealant.

E. 浴缸边缘密封

对嵌入式安装，在敷上瓷砖或大理石贴面后，再用硅胶密封浴缸边缘和贴面的连接处。



CLEAN-UP AFTER INSTALLATION

When cleaning up after installation, do not use abrasive cleansers as they may scratch and dull the surface. Use warm water and liquid, non-abrasive detergent to clean the surface.

Stubborn stains, paint, or tar can be removed with mineral spirits. Do not use cleaners containing solvent. Plaster can be removed by scraping with wood edge. Do not use metal scrapers, wire brushes, or other metal tools. One of the powder type detergents may be used on a damp cloth to provide mild abrasive action to the residual plaster.

1408975-T01-B

完工清理

在安装完成后进行清理时，请勿使用磨损性的清洁用具，以免擦伤浴缸表面，使其失去光泽。使用温水和非腐蚀性的液体清洁剂，清洗浴缸表面。

难以清除的污迹、油漆、或柏油，可用酒精擦净。请不要让含有溶剂的清洁剂。滞留水泥可用薄木刀刮掉。请不要使用金属刮刀，钢丝刷，或其它金属工具。对残留的水泥浆，可用湿布粘些洗衣粉，以提供轻微的研磨作用。

Consumer Responsibilities

Cleaning Acrylic Surfaces: Do not use abrasive cleansers on any acrylic surfaces, as they will scratch and dull the surface. Wipe out the bath after each use to prevent a build-up of soap and scum.

If the acrylic surface becomes dull, an automotive type rubbing compound* may be used on the unit, followed by an application of paste wax.

*We recommend:

Rubbing compound mequiars mirror glaze 28 metal polish (import product) or "green oil".

用户的责任

清洗亚克力表面：请勿在亚克力表面使用磨损性的清洁用具，以免擦伤浴缸表面，使其失去光泽。每次使用后，将浴缸擦干，以防止肥皂和污垢沉积。

若亚克力表面失去光泽，先用汽车抛光剂*，然后再用粗腊打亮。

* 我们推荐使用以下 2 种抛光剂：

1 Mequiars 镜面光亮 28 金属上光剂。（进口）

2 抛光膏（绿油）。