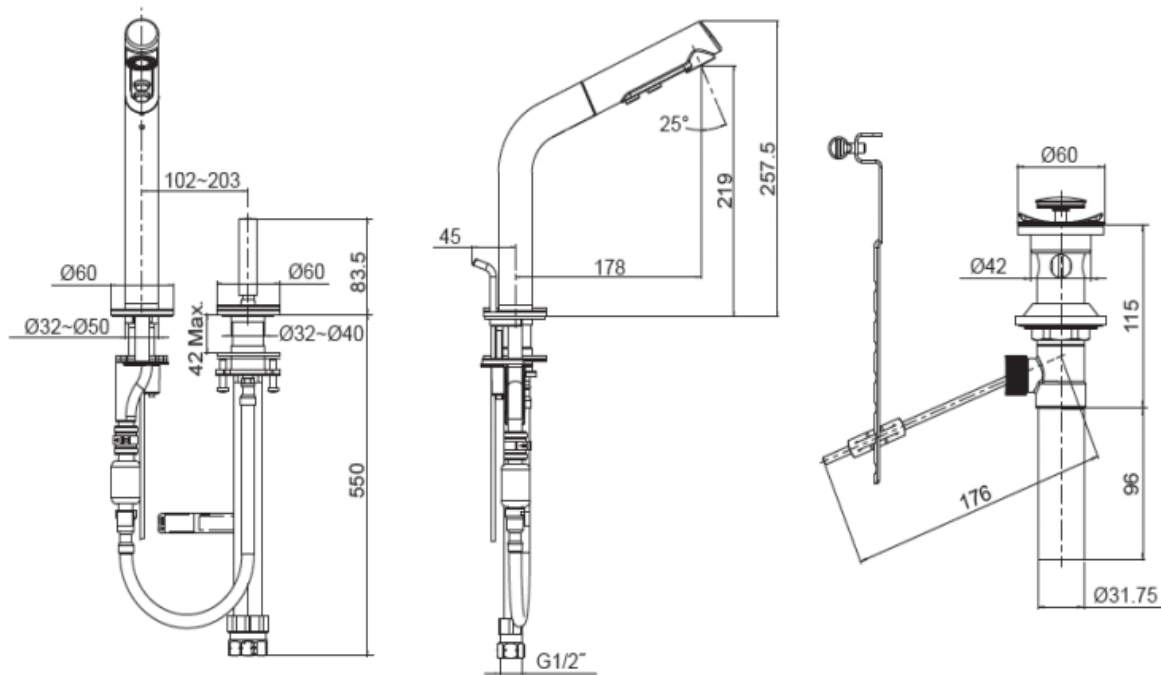


Product Specification:

Model	Handle	Finish
K-45758T-4	Lever	CP

Product Dimension:



K-45758T-4-CP

Please note that the above information are subject to change without notice.