

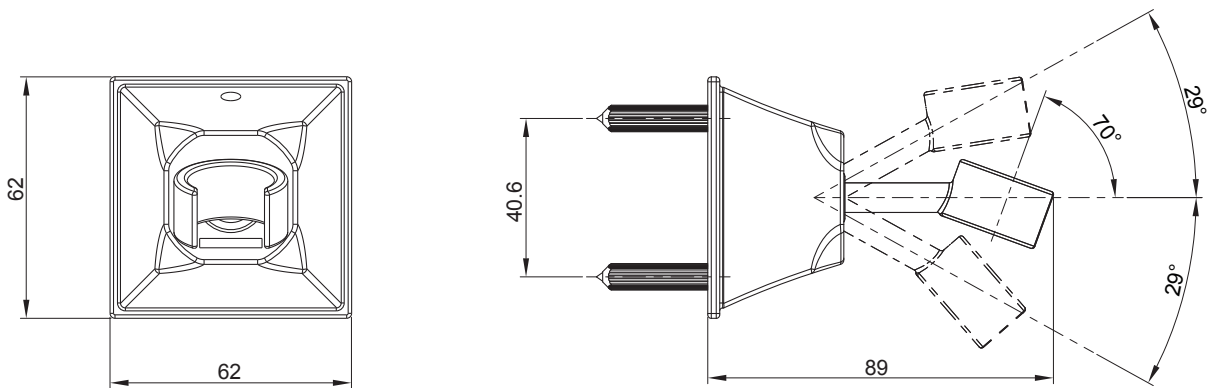
### 422T Shower Bracket

#### BEFORE YOU BEGIN

All information is based on the latest product information available at the time of publication. Kohler Co. reserves the right to make changes in product characteristics, packaging, or availability at any time without notice.

Please leave these instructions for the consumer. They contain important information.

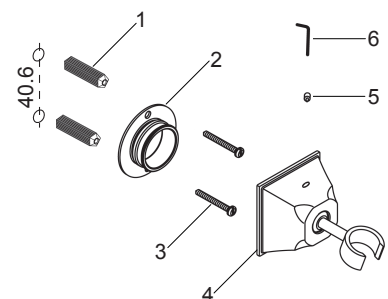
#### ROUGH-IN DIMENSIONS



#### INSTALLATION

Determine a suitable location on the finished wall to install the bracket.

Mark bracket support(2) mounting hole locations on the wall according to the dimension. Drill two holes on the finished wall, the holes should match the anchors(1). Install the anchors. Tighten screws(3) to secure bracket support. Apply a ring of plumbers putty or sealant around the back surface of the bracket(4). Keep the mounting hole facing downwards, install the bracket onto the bracket support. Secure the bracket by tightening the screw(5) with hex wrench(6). Remove any excess putty or sealant.

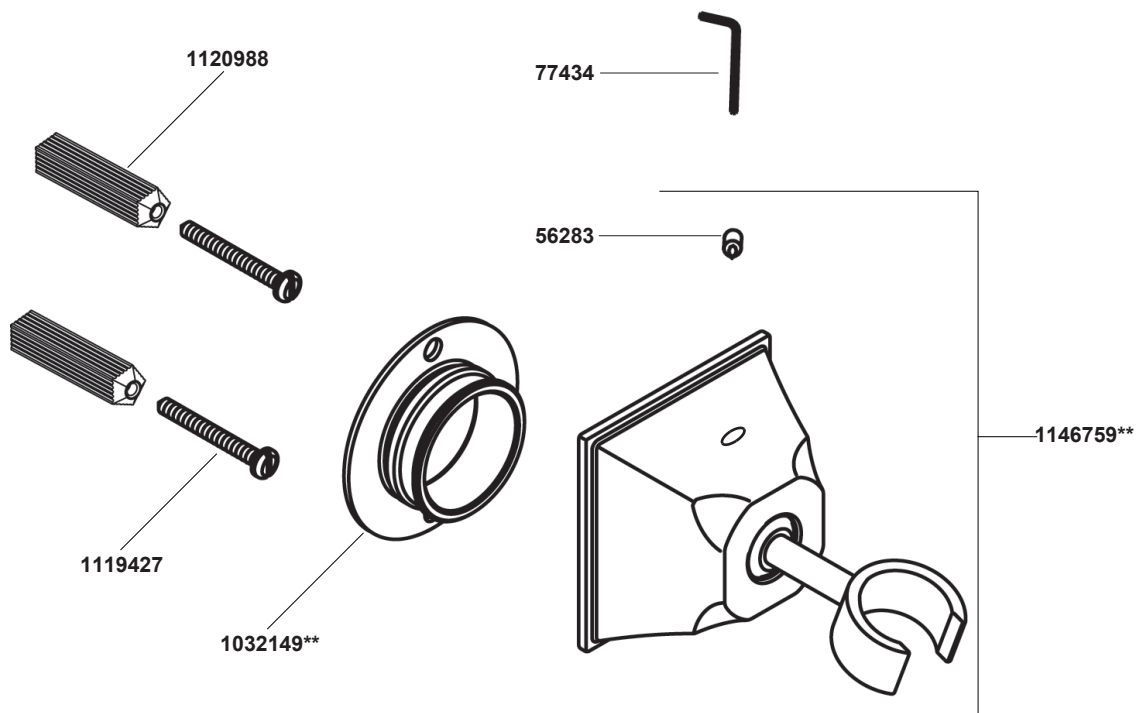


## CLEANING INSTRUCTIONS

All Finishes: Clean the finish with mild soap and warm water. Wipe entire surface completely dry with clean soft cloth. Many cleaners may contain chemicals, such as ammonia, chlorine, toilet cleaner etc. which could adversely affect the finish and are not recommended for cleaning.

Do not use abrasive cleaners or solvents on Kohler faucets and fittings.

## SERVICE PARTS



\*\*Color code must be specified when ordering