

ACRYLIC



Model AC3260PL

Our "Wood Apron Series" gives builders the ability to economically tile the apron to enhance or complement any bathroom's design.

All of our acrylic intergral apron tubs may have their apron cut off at 2 1/4" from the top of the deck. A 3/8" thick plywood apron will then be inserted in its place. All the overall measurements remain the same.

Standard Features:

- Levelling legs

Standard Recess Sizes

- PL/R - Plywood Recess 1/4"
- PL/R2 - Plywood Recess 1/2"
- PL/R3 - Plywood Recess 3/4"
- Other sizes upon request

Note:

Additional 1/16" added to recess size to allow for thinset thickness.

All products manufactured by Hytec are covered by a comprehensive five-year limited warranty from the date of sale to the original owner. See the Hytec Bathing Fixtures List Price Book for further details.

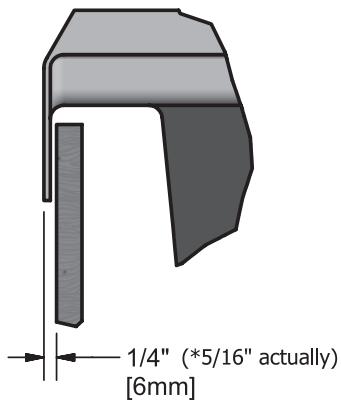
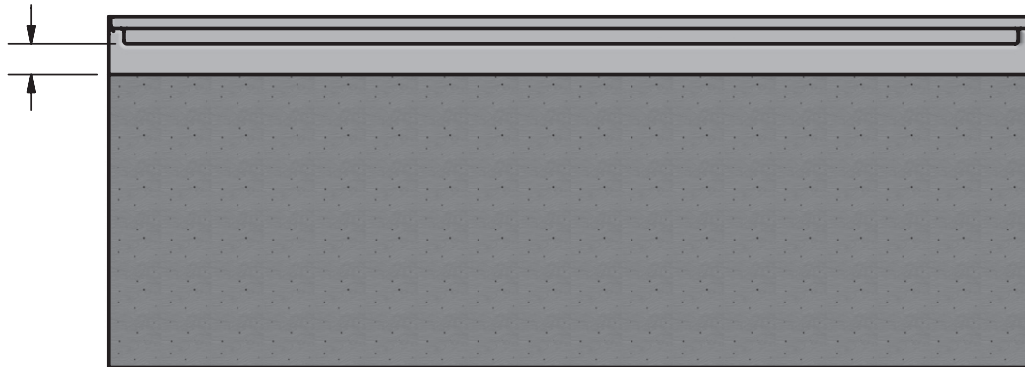
Hytec Plumbing Products

(Division of Kohler Canada Co.)
4150 Spallumcheen Dr, Armstrong BC V0E 1B6
Ph. (800) 871-8311 (250) 546-3196 Fax (250) 546-3170

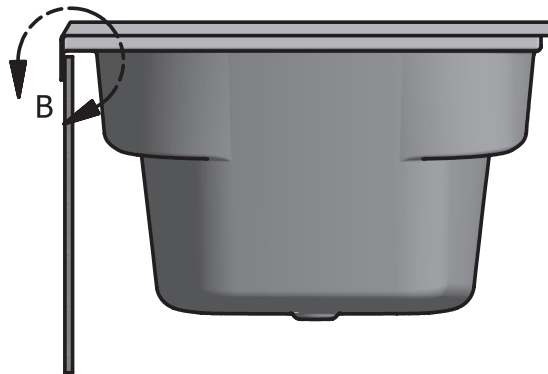


ACRYLIC

2 1/4 ±1/4"



DETAIL B
PL/PR



Other Standard Offsets Available

- PL2/PR2 - 1/2" (*9/16" actually)
- PL3/PR3 - 3/4" (*13/16" actually)
- Other Offsets upon request

*Actual setbacks are increased by 1/16" to allow for thinset thickness.

Measurement tolerances +1/8" (3.2mm)/-1/16" (1.6mm) unless otherwise noted.

All bathing fixtures comply with the applicable Canadian Standards.

For installation procedures, please refer to instructions included with each unit.

This sheet approximately describes products and equipment manufactured or supplied by Hytec Plumbing Products. Because of ongoing efforts to improve both design and quality, products and equipment actually furnished may differ without prior notice.

Hytec Plumbing Products

(Division of Kohler Canada Co.)

4150 Spallumcheen Dr, Armstrong BC V0E 1B6

Ph. (800) 871-8311 (250) 546-3196 Fax (250) 546-3170

