

Model ACR20030R

**Model ACR20030L  
(Left-hand Drain)**

**Model ACR20030R  
(Right-hand Drain)**

Length: 48" (1219mm)  
Width: 30" (762mm)  
Overall Height: 4" (102mm)  
Threshold Height: 2 1/2" (66mm)

Shipping Weight: 45lbs. (20Kg)

Materials: Manufactured from a one-piece acrylic sheet, reinforced with fibreglass.

Hytec manufactures accessible acrylic shower receptors in a variety of sizes. They may be recessed into the floor or have a ramp installed to assist in entering or exiting the shower. Raised tiling flanges allow for professional installation and finishing.

**Standard Features:**

- Easy to clean high gloss surface
- Chip and mar resistant
- Moulded-in floor pattern
- Raised tile ledge
- Low Threshold

**Colours:**

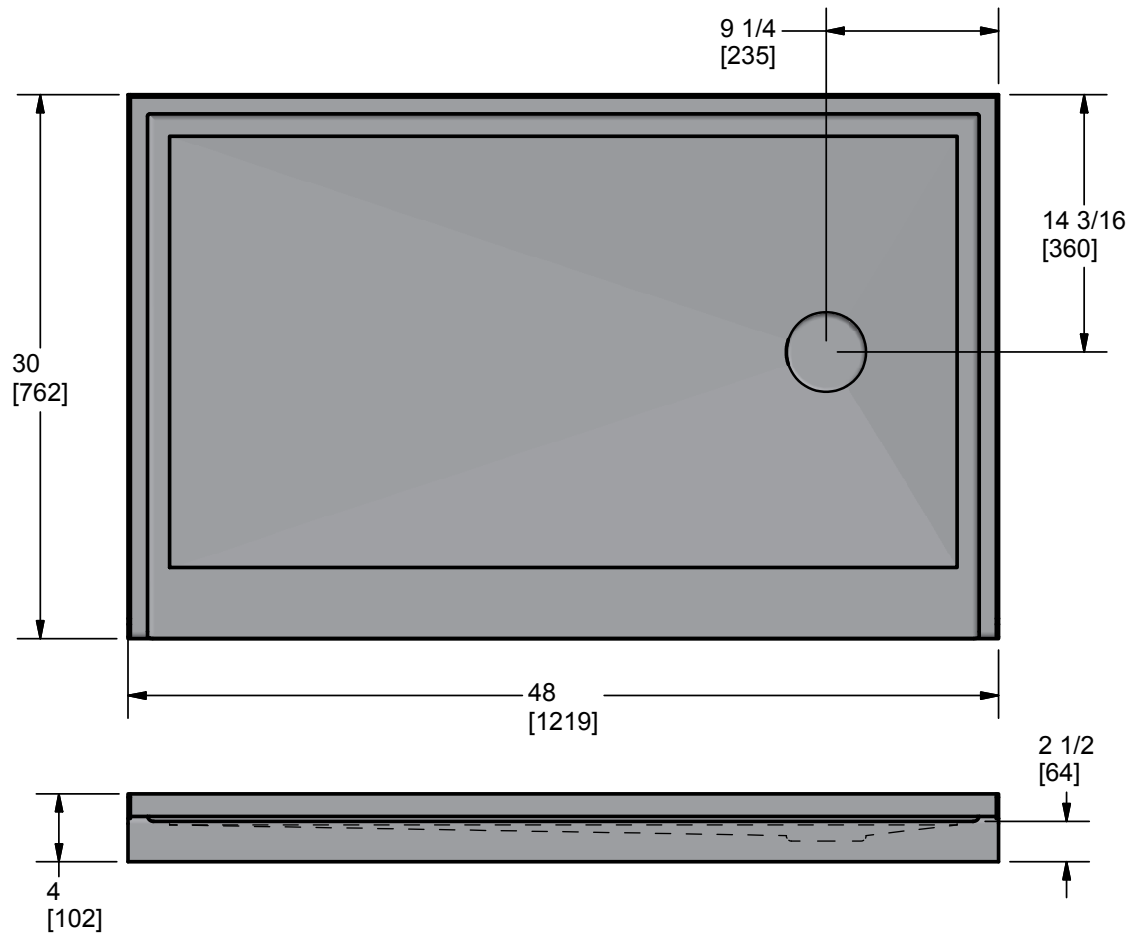
- Standard: White, Almond (Bone) or Biscuit
- Optional: Kohler Colours

All products manufactured by Hytec are covered by a comprehensive five-year limited warranty from the date of sale to the original owner. See the Hytec Bathing Fixtures List Price Book for further details.

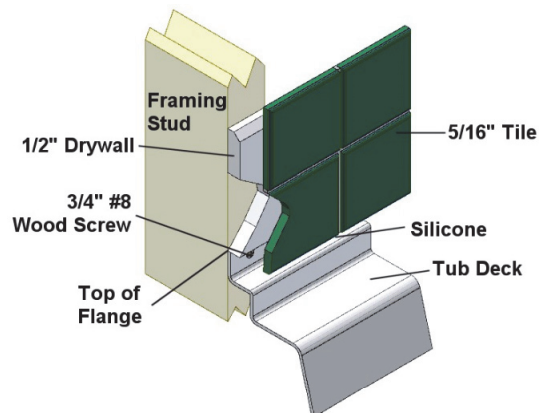
**Hytec Plumbing Products**

(Division of Kohler Canada Co.)  
4150 Spallumcheen Dr, Armstrong BC V0E 1B6  
Ph. (800) 871-8311 (250) 546-3196 Fax (250) 546-3170

ACRYLIC



**Double Flange**



Measurement tolerances  $\pm 1/4"$  (6.3mm)

All bathing fixtures comply with the applicable Canadian Standards.

For installation procedures, please refer to instructions included with each unit.

This sheet approximately describes products and equipment manufactured or supplied by Hytec Plumbing Products. Because of ongoing efforts to improve both design and quality, products and equipment actually furnished may differ without prior notice.