



Model H60

Model H60
(Right-hand Plumbing)

Model H61
(Left-hand Plumbing)

Length: 62 1/2" (1588 mm)

Width: 33 1/4" (845 mm)

Height: 90" (2286 mm)

Shipping Weight: 270 lbs. (123 Kg)

Water to Overflow: 54 gallons (245 Litres)

Minimum Water Capacity: 35 gallons (159 Litres)

Materials: Manufactured from a one-piece acrylic sheet, reinforced with fibreglass.

The Ashcroft bath/shower is economical, easy to maintain and leak proof with an integral dome top. The bath has a sloping backrest and the shower has handy toiletry shelves.

Standard Features:

- L- shaped stainless steel grab bar on each side wall
- Two stainless steel grab bars on back wall
- 1" stainless steel curtain rod (installed)
- Moulded-in floor pattern
- Extended height of 90"
- Upper and lower toiletry shelves
- Chip and mar resistant

Other Options:

- Light Kit

Colours:

- Standard: White, Almond (Bone) or Biscuit

Other Configurations:

- 3-piece knowdown (KD)
- Whirlpool (CMJ6)

All products manufactured by Hytec are covered by a comprehensive five-year limited warranty from the date of sale to the original owner. See the Hytec Bathing Fixtures List Price Book for further details.

Hytec Plumbing Products

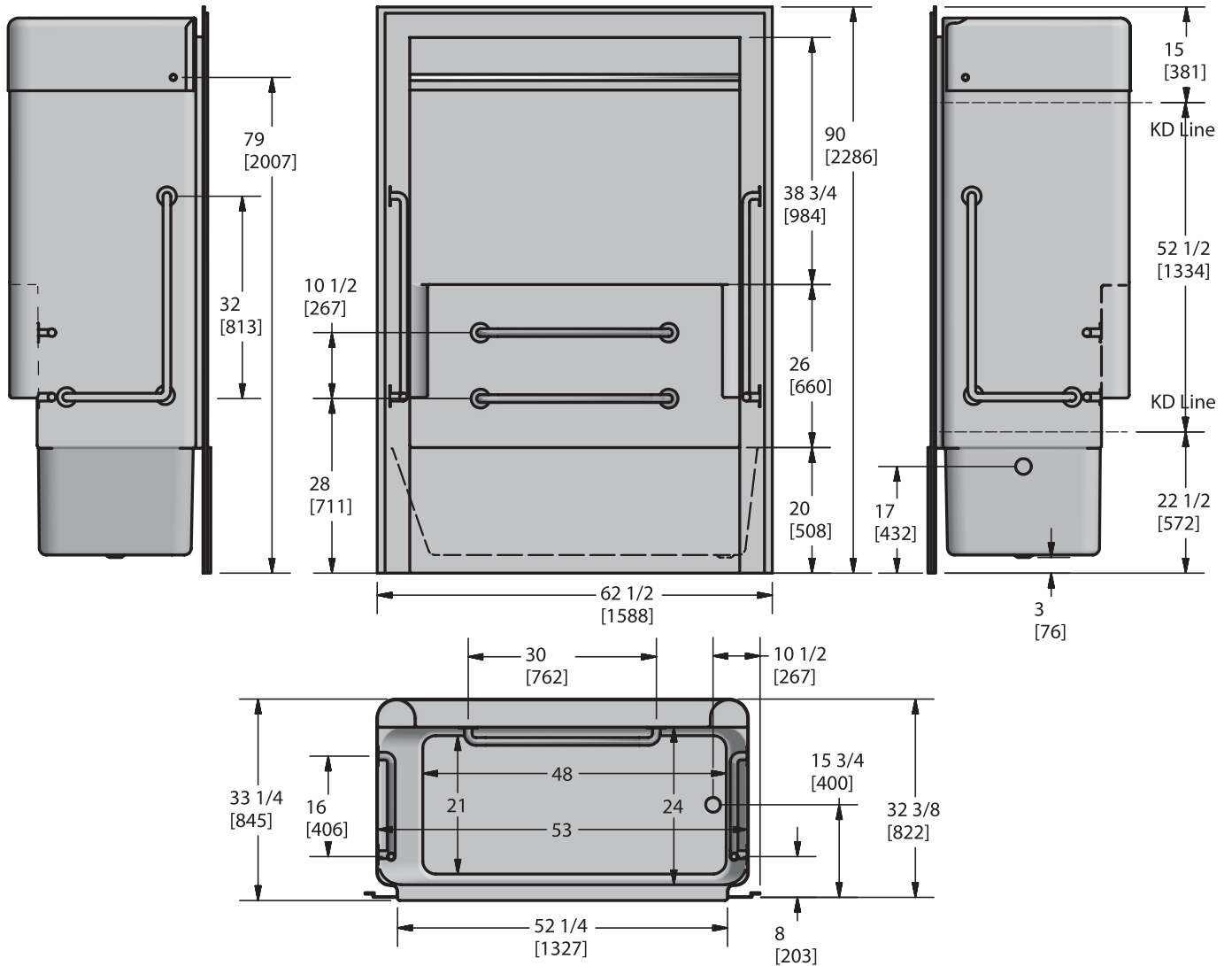
(Division of Kohler Canada Co.)

4150 Spallumcheen Dr, Armstrong BC V0E 1B6

Ph. (800) 871-8311 (250) 546-3196 Fax (250) 546-3170

ASHCROFT™ Model H60/61

ACRYLIC



Measurement tolerances ± 1/4" (6.3 mm)

All bathing fixtures comply with the applicable Canadian Standards.

For installation procedures, please refer to instructions included with each unit.

This sheet approximately describes products and equipment manufactured or supplied by Hytec Plumbing Products. Because of ongoing efforts to improve both design and quality, products and equipment actually furnished may differ without prior notice.



Hytec Plumbing Products

(Division of Kohler Canada Co.)

4150 Spallumcheen Dr, Armstrong BC V0E 1B6

Ph. (800) 871-8311 (250) 546-3196 Fax (250) 546-3170