

ACRYLIC



Model ACR3787

Model ACR3787

Length: 42" (1067 mm)

Width: 42" (1067 mm)

Overall Height: 5 7/8" (149 mm)

Threshold Height: 4 3/8" (111mm)

Shipping Weight: 55 lbs. (25 Kg)

Materials: Manufactured from a one-piece acrylic sheet, reinforced with fibreglass.

Hytec manufactures acrylic receptors to satisfy every bathroom design or decorating need. Single flange design allows for easy installation and finishing.

Standard Features:

- Easy to clean high gloss surface
- Chip and mar resistant
- Moulded-in floor pattern
- Single Flange
- Wide threshold

Colours:

- Standard: White, Almond (Bone) or Biscuit
- Optional: Kohler Colours

All products manufactured by Hytec are covered by a comprehensive five-year limited warranty from the date of sale to the original owner. See the Hytec Bathing Fixtures List Price Book for further details.

Hytec Plumbing Products

(Division of Kohler Canada Co.)

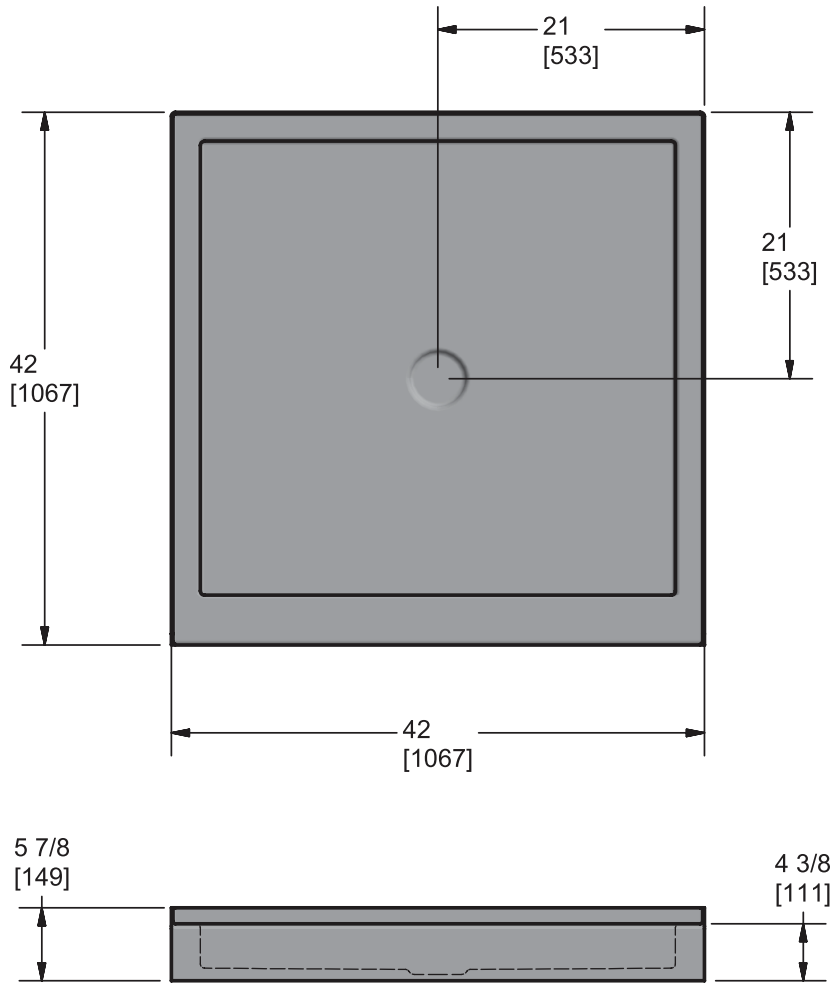
4150 Spallumcheen Dr, Armstrong BC V0E 1B6

Ph. (800) 871-8311 (250) 546-3196 Fax (250) 546-3170



Model ACR3787

ACRYLIC



Measurement tolerances $\pm 1/4"$ (6.3 mm)

All bathing fixtures comply with the applicable Canadian Standards.

For installation procedures, please refer to instructions included with each unit.

This sheet approximately describes products and equipment manufactured or supplied by Hytec Plumbing Products. Because of ongoing efforts to improve both design and quality, products and equipment actually furnished may differ without prior notice.



Hytec Plumbing Products

(Division of Kohler Canada Co.)

4150 Spallumcheen Dr, Armstrong BC V0E 1B6

Ph. (800) 871-8311 (250) 546-3196 Fax (250) 546-3170