



Model AC759

Model AC759

Length: 72" (1829 mm)

Width: 36" (914 mm)

Height: 20" (508 mm)

Shipping Weight: 83 lbs. (38 Kg)

Water to Overflow: 73 gallons (276 Litres)

Minimum Water Capacity: 50 gallons (189 Litres)

Materials: Manufactured from a one-piece acrylic sheet, reinforced with fibreglass.

The Donbrook's minimalist design with tight radii and sweeping armrests provides extra space for taller bathers. The deck provides ample space for faucet installation.

Standard Features:

- Easy to clean high gloss surface
- Chip and mar resistant
- Moulded-in floor pattern
- Contoured integral armrests

Options:

- Flange kits for attaching bath to walls

Colours:

- Standard: White, Almond (Bone) or Biscuit
- Optional: Kohler Colours

Other Configurations:

- Whirlpool (LCMJ6/RCMJ6)
- Enhanced whirlpool (PE)
- Enhanced whirlpool w/heater (PEH)
- Enhanced whirlpool w/chromatherapy (PECE)
- Enhanced whirlpool w/heater & chromatherapy (PEHCE)
- BubbleAir™ air jets (BT)
- BubbleAir air jets w/chromatherapy (BTCE)

All products manufactured by Hytec are covered by a comprehensive five-year limited warranty from the date of sale to the original owner. See the Hytec Bathing Fixtures List Price Book for further details.

Hytec Plumbing Products

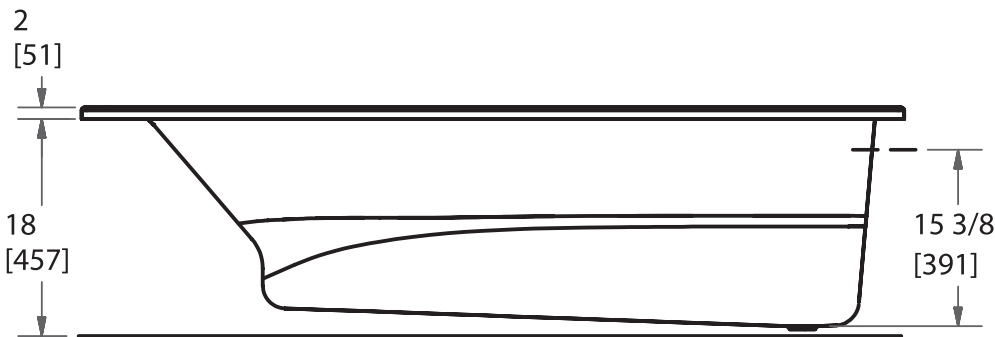
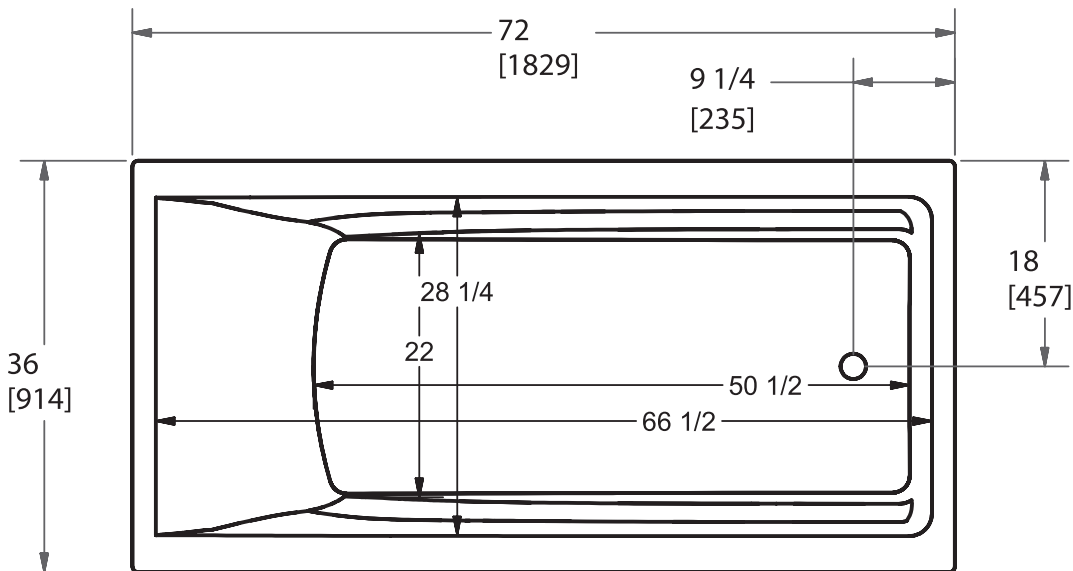
(Division of Kohler Canada Co.)

4150 Spallumcheen Dr, Armstrong BC V0E 1B6

Ph. (800) 871-8311 (250) 546-3196 Fax (250) 546-3170

Model AC759

ACRYLIC



Keypad Location
 Size: 5.75" X 1.75"
 Centred on Side Deck
 (Keypad available when paired
 with Enhanced Bathing Options)

Measurement tolerances $\pm 1/4"$ (6.3 mm)

All bathing fixtures comply with the applicable Canadian Standards.

For installation procedures, please refer to instructions included with each unit.

This sheet approximately describes products and equipment manufactured or supplied by Hytec Plumbing Products. Because of ongoing efforts to improve both design and quality, products and equipment actually furnished may differ without prior notice.



Hytec Plumbing Products
 (Division of Kohler Canada Co.)
 4150 Spallumcheen Dr, Armstrong BC V0E 1B6
 Ph. (800) 871-8311 (250) 546-3196 Fax (250) 546-3170