

ACRYLIC



Model AC6171

**Model AC6170
(Two Seats)**

**Model AC6171
(No Seats)**

**Model AC6172
(Left-hand Seat)**

**Model AC6173
(Right-hand Seat)**

Length: 62 1/2" (1588 mm)

Width: 35" (889 mm)

Height: 90" (2286 mm)

Shipping Weight: 197 lbs. (89 Kg)

Materials: Manufactured from a one-piece acrylic sheet, reinforced with fibreglass.

The Ashcroft domed shower offers a contemporary design, perfect in today's modern bathroom. With a centre drain, left- or right-hand plumbing can be applied.

Standard Features:

- Easy to clean high gloss surface
- Chip and mar resistant
- Moulded-in floor pattern
- Convenient toiletry shelves
- Accepts right- or left-hand plumbing
- Extended height of 90"

Options:

- Light Kit

Colours:

- Standard: White, Almond (Bone) or Biscuit.

Other Configurations:

- 3 pc knockdown (KD)

All products manufactured by Hytec are covered by a comprehensive five-year limited warranty from the date of sale to the original owner. See the Hytec Bathing Fixtures List Price Book for further details.

Hytec Plumbing Products

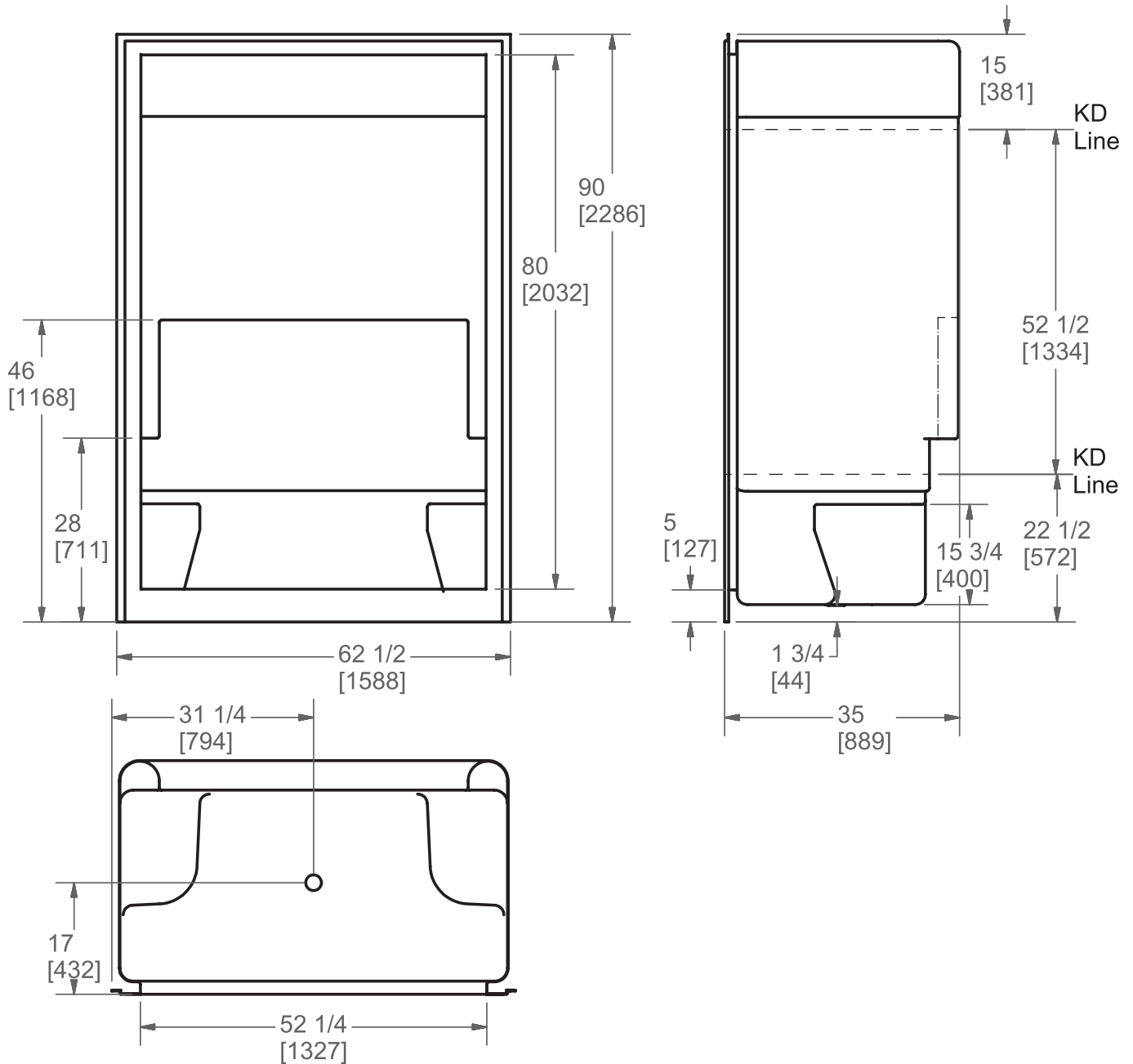
(Division of Kohler Canada Co.)

4150 Spallumcheen Dr, Armstrong BC V0E 1B6

Ph. (800) 871-8311 (250) 546-3196 Fax (250) 546-3170



ACRYLIC



Measurement tolerances $\pm 1/4"$ (6.3 mm)

All bathing fixtures comply with the applicable Canadian Standards.

For installation procedures, please refer to instructions included with each unit.

This sheet approximately describes products and equipment manufactured or supplied by Hytec Plumbing Products. Because of ongoing efforts to improve both design and quality, products and equipment actually furnished may differ without prior notice.



Hytec Plumbing Products

(Division of Kohler Canada Co.)

4150 Spallumcheen Dr, Armstrong BC V0E 1B6

Ph. (800) 871-8311 (250) 546-3196 Fax (250) 546-3170