



Model AC3995

Model AC3995

Length: 65 7/8" (1673 mm)

Width: 36" (914 mm)

Height: 25" (635 mm)

Shipping Weight: 116 lbs. (53 Kg)

Water to Overflow: 88 gallons (333 Litres)

Materials: Manufactured from a one-piece acrylic sheet, reinforced with fibreglass.

The Ellesmere 5.5' x 36" drop-in bath offers a deep, luxurious bathing experience.

Standard Features:

- Easy to clean high gloss surface
- Chip and mar resistant
- Moulded-in floor pattern
- Centre drain
- Ample deck space

Colours:

- Standard: White, Almond (Bone) or Biscuit
- Optional: Kohler Colours

Other Configurations:

- BubbleAir™ air jets (BT)
- BubbleAir air jets w/chromatherapy (BTCE)

All products manufactured by Hytec are covered by a comprehensive five-year limited warranty from the date of sale to the original owner. See the Hytec Bathing Fixtures List Price Book for further details.

Hytec Plumbing Products

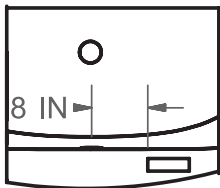
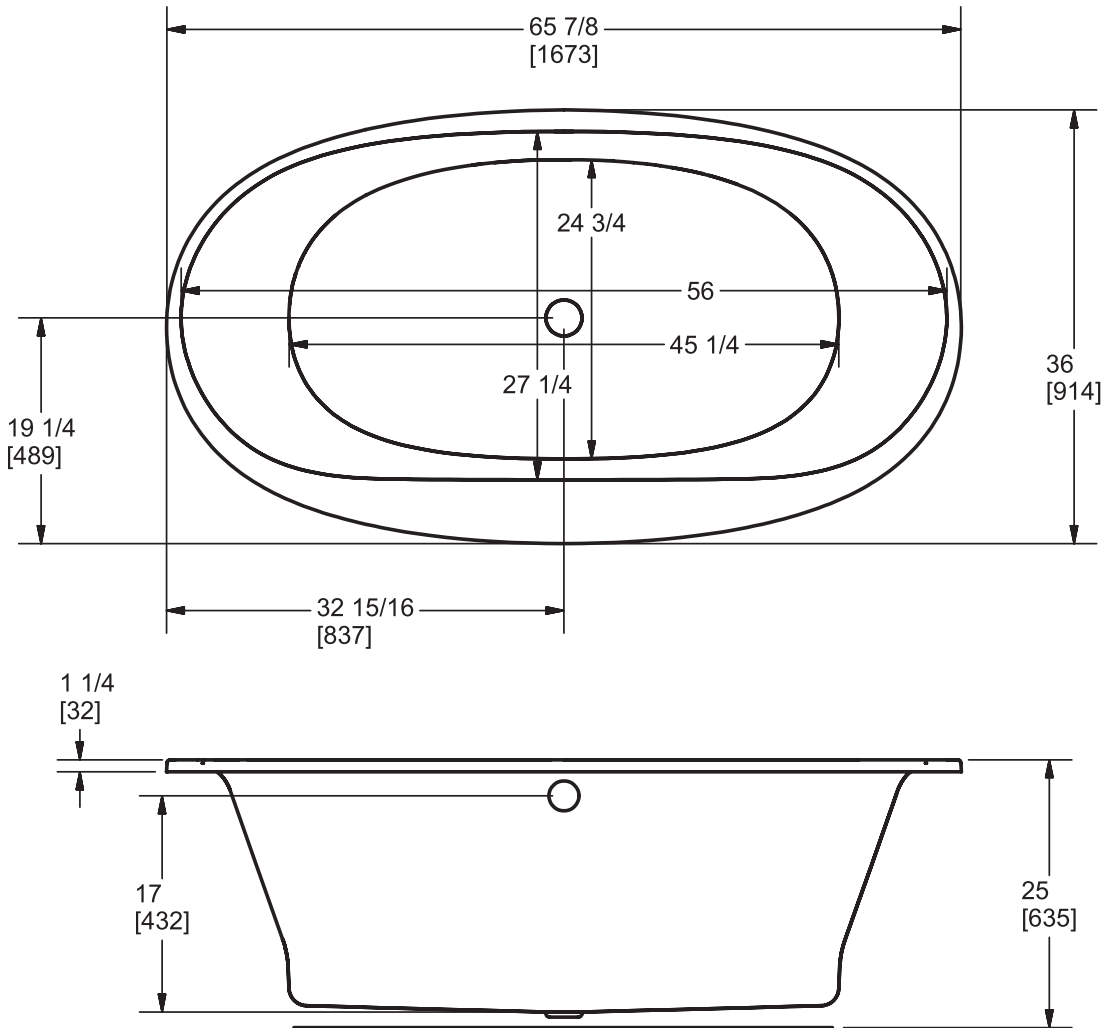
(Division of Kohler Canada Co.)

4150 Spallumcheen Dr, Armstrong BC V0E 1B6

Ph. (800) 871-8311 (250) 546-3196 Fax (250) 546-3170

Model AC3995

ACRYLIC



Keypad Location on Deck
 Same Side as Pump (L/R)
 Size: 5.75" X 1.75"
 (Keypad available when paired
 with Enhanced Bathing Options)

Measurement tolerances ± 1/4" (6.3 mm)

All bathing fixtures comply with the applicable Canadian Standards.

For installation procedures, please refer to instructions included with each unit.

This sheet approximately describes products and equipment manufactured or supplied by Hytec Plumbing Products. Because of ongoing efforts to improve both design and quality, products and equipment actually furnished may differ without prior notice.



Hytec Plumbing Products
 (Division of Kohler Canada Co.)
 4150 Spallumcheen Dr, Armstrong BC V0E 1B6
 Ph. (800) 871-8311 (250) 546-3196 Fax (250) 546-3170