

ACRYLIC



Model AC3766R

Model AC3766L/R

Length: 72" (1829 mm)

Width: 30" (762 mm)

Height: 23 1/4" (591 mm)

Shipping Weight: 115 lbs. (52 Kg)

Water to Overflow: 70 gallons (265 Litres)

Minimum Water Capacity: 50 gallons (189 Litres)

Materials: Manufactured from a one-piece acrylic sheet, reinforced with fibreglass.

The contemporary look and features designed for comfort in the Langley bath are further enhanced in this 6' model.

This bath can be combined with 3063L and 3063R System Connects side walls and the 3972 System Connects back wall for a complete bath/shower unit.

Standard Features:

- Easy to clean high gloss surface
- Chip and mar resistant
- Moulded-in floor pattern

Colours:

- Standard: White, Almond (Bone) or Biscuit
- Optional: Kohler Colours

Other Configurations:

- Removable access panel (AL/AR)
- Without Apron (XL/XR)
- Wood Apron (PL/PR)
- BubbleAir™ air jets (BT)
- BubbleAir air jets w/chromatherapy (BTCE)

All products manufactured by Hytec are covered by a comprehensive five-year limited warranty from the date of sale to the original owner. See the Hytec Bathing Fixtures List Price Book for further details.

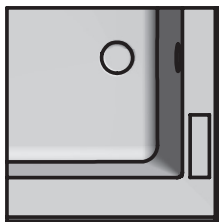
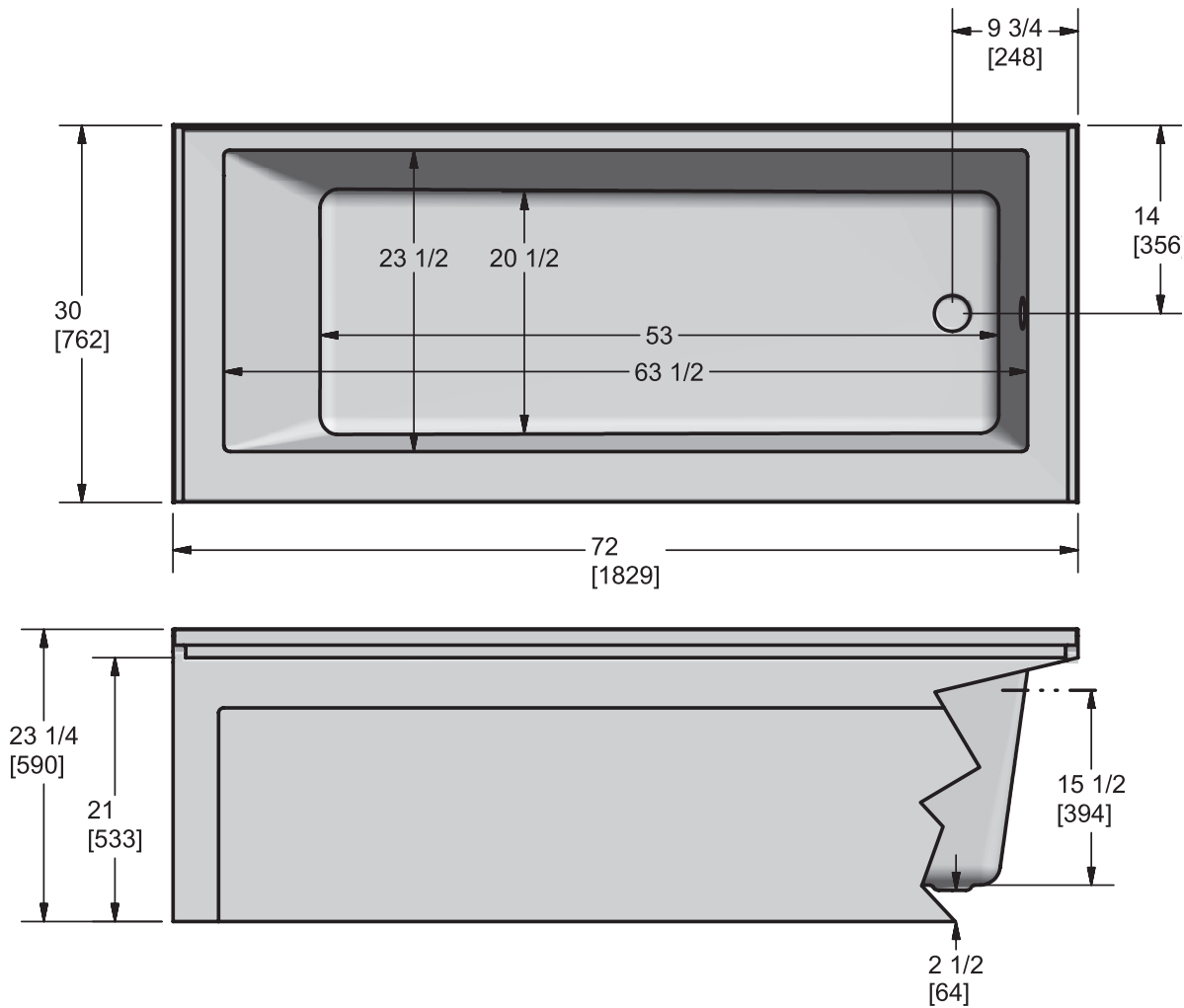
Hytec Plumbing Products

(Division of Kohler Canada Co.)

4150 Spallumcheen Dr, Armstrong BC V0E 1B6

Ph. (800) 871-8311 (250) 546-3196 Fax (250) 546-3170

ACRYLIC



Keypad Location
 Size: 5.75" X 1.75"
 (Keypad available when paired
 with Enhanced Bathing Options)

Measurement tolerances ± 1/4" (6.3 mm)

All bathing fixtures comply with the applicable Canadian Standards.

For installation procedures, please refer to instructions included with each unit.

This sheet approximately describes products and equipment manufactured or supplied by Hytec Plumbing Products. Because of ongoing efforts to improve both design and quality, products and equipment actually furnished may differ without prior notice.



Hytec Plumbing Products
 (Division of Kohler Canada Co.)
 4150 Spallumcheen Dr, Armstrong BC V0E 1B6
 Ph. (800) 871-8311 (250) 546-3196 Fax (250) 546-3170