

## ACRYLIC



Model AC3764R

**Model AC3764L/R****Length:** 66" (1675 mm)**Width:** 30" (762 mm)**Height:** 23 1/4" (591 mm)**Shipping Weight:** 107 lbs. (49 Kg)**Water to Overflow:** 63 gallons (286 Litres)**Minimum Water Capacity:** 41 gallons (186 Litres)**Materials:** Manufactured from a one-piece acrylic sheet, reinforced with fibreglass.

This acrylic skirted bath features classic minimalist design, clean lines and brilliant colours. That beauty extends to the ergonomic backrest in the 5.5' bath.

This bath can be combined with 3063L and 3063R System Connects side walls and the 3966 System Connects back wall for a complete bath/shower unit.

**Standard Features:**

- Easy to clean high gloss surface
- Chip and mar resistant
- Moulded-in floor pattern

**Colours:**

- Standard: White, Almond (Bone) or Biscuit
- Optional: Kohler Colours

**Other Configurations:**

- Removable access panel (AL/AR)
- Without Apron (XL/XR)
- Wood Apron (PL/PR)
- BubbleAir™ air jets (BT)
- BubbleAir air jets w/chromatherapy (BTCE)

All products manufactured by Hytec are covered by a comprehensive five-year limited warranty from the date of sale to the original owner. See the Hytec Bathing Fixtures List Price Book for further details.

**Hytec Plumbing Products**

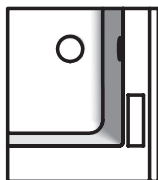
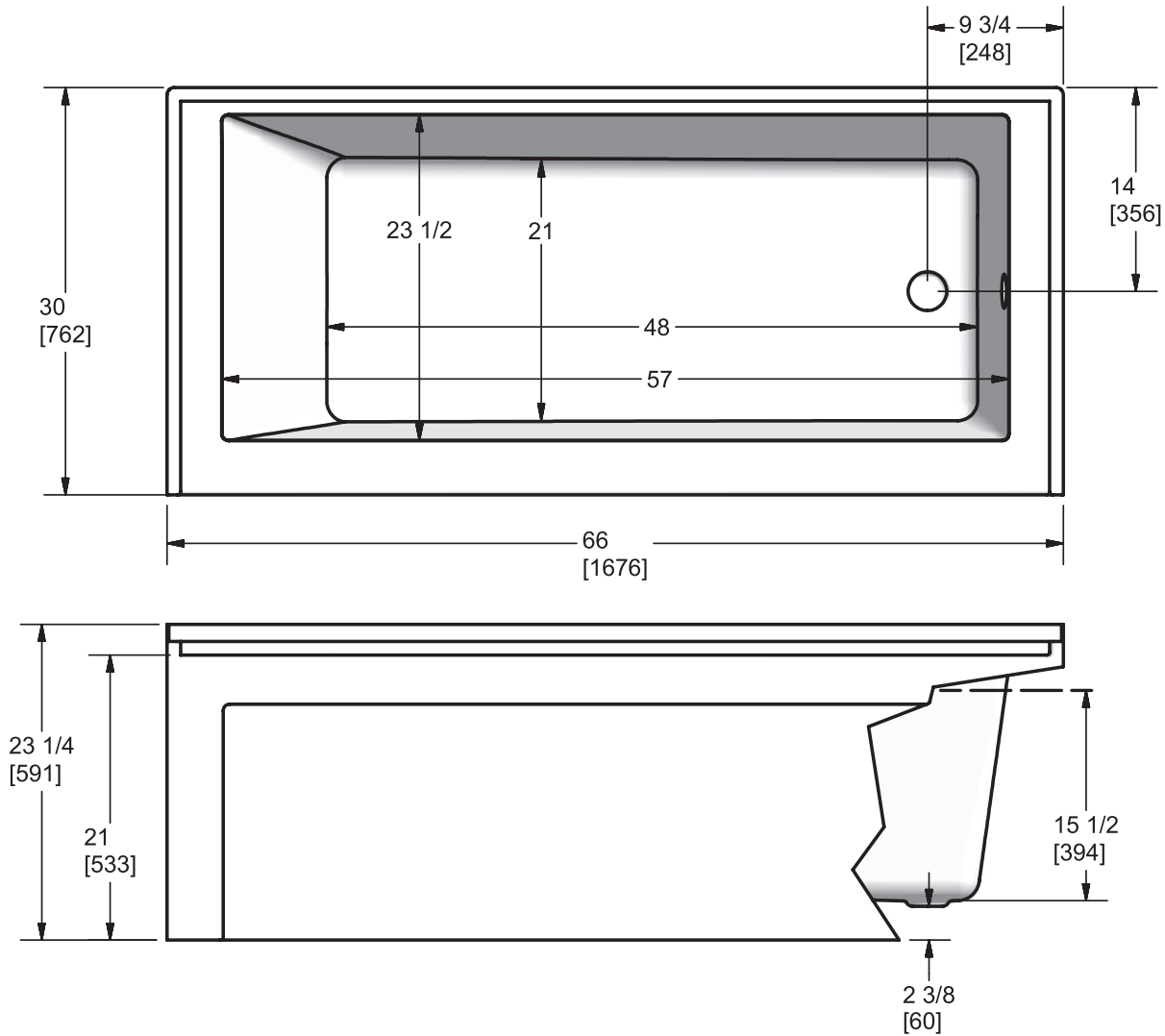
(Division of Kohler Canada Co.)

4150 Spallumcheen Dr, Armstrong BC V0E 1B6

Ph. (800) 871-8311 (250) 546-3196 Fax (250) 546-3170



ACRYLIC



Keypad Location  
 Size: 5.75" X 1.75"  
 Centred on Side Deck  
 (Keypad available when paired  
 with Enhanced Bathing Options)

Measurement tolerances ± 1/4" (6.3 mm)

All bathing fixtures comply with the applicable Canadian Standards.

For installation procedures, please refer to instructions included with each unit.

This sheet approximately describes products and equipment manufactured or supplied by Hytec Plumbing Products. Because of ongoing efforts to improve both design and quality, products and equipment actually furnished may differ without prior notice.



**Hytec Plumbing Products**  
 (Division of Kohler Canada Co.)  
 4150 Spallumcheen Dr, Armstrong BC V0E 1B6  
 Ph. (800) 871-8311 (250) 546-3196 Fax (250) 546-3170