

ACRYLIC



Model AC3620LCMJ5

Model AC3620**Length:** 72" (1829 mm)**Width:** 32" (813 mm)**Height:** 20" (508 mm)**Shipping Weight:** 98 lbs. (44 Kg)**Water to Overflow:** 72 gallons (273 Litres)**Minimum Water Capacity:** 50 gallons (189 Litres)**Materials:** Manufactured from a one-piece acrylic sheet, reinforced with fiberglass.

Hytec has designed a unique bath that allows drop-in, flush mount or undermount installation. The clean straight lines of the Langston bath allow it to be the one selected for multiple design applications.

Standard Features:

- Easy to clean high gloss surface
- Chip and mar resistant
- Moulded-in floor pattern
- Sloping backrest
- Centre drain

Options:

- Flange kit for attaching bath to walls

Colours:

- Standard: White, Almond (Bone) or Biscuit
- Optional: Kohler Colours

Other Configurations:

- Whirlpool (LCMJ5/RCMJ5)
- Enhanced whirlpool (PE)
- Enhanced whirlpool w/heater (PEH)
- Enhanced whirlpool w/chromatherapy (PECE)
- Enhanced whirlpool w/heater & chromatherapy (PEHCE)
- BubbleAir™ air jets (BT)
- BubbleAir air jets w/chromatherapy (BTCE)
- Enhanced whirlpool & BubbleAir (PEBT)
- Enhanced whirlpool w/heater & BubbleAir (PEHBT)
- Enhanced whirlpool & BubbleAir w/chromatherapy (PEBTCE)
- Enhanced whirlpool w/heater, BubbleAir & chromatherapy (PEHBTCE)

All products manufactured by Hytec are covered by a comprehensive five-year limited warranty from the date of sale to the original owner. See the Hytec Bathing Fixtures List Price Book for further details.

Hytec Plumbing Products

(Division of Kohler Canada Co.)

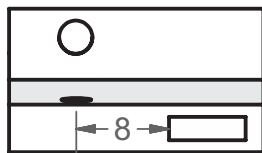
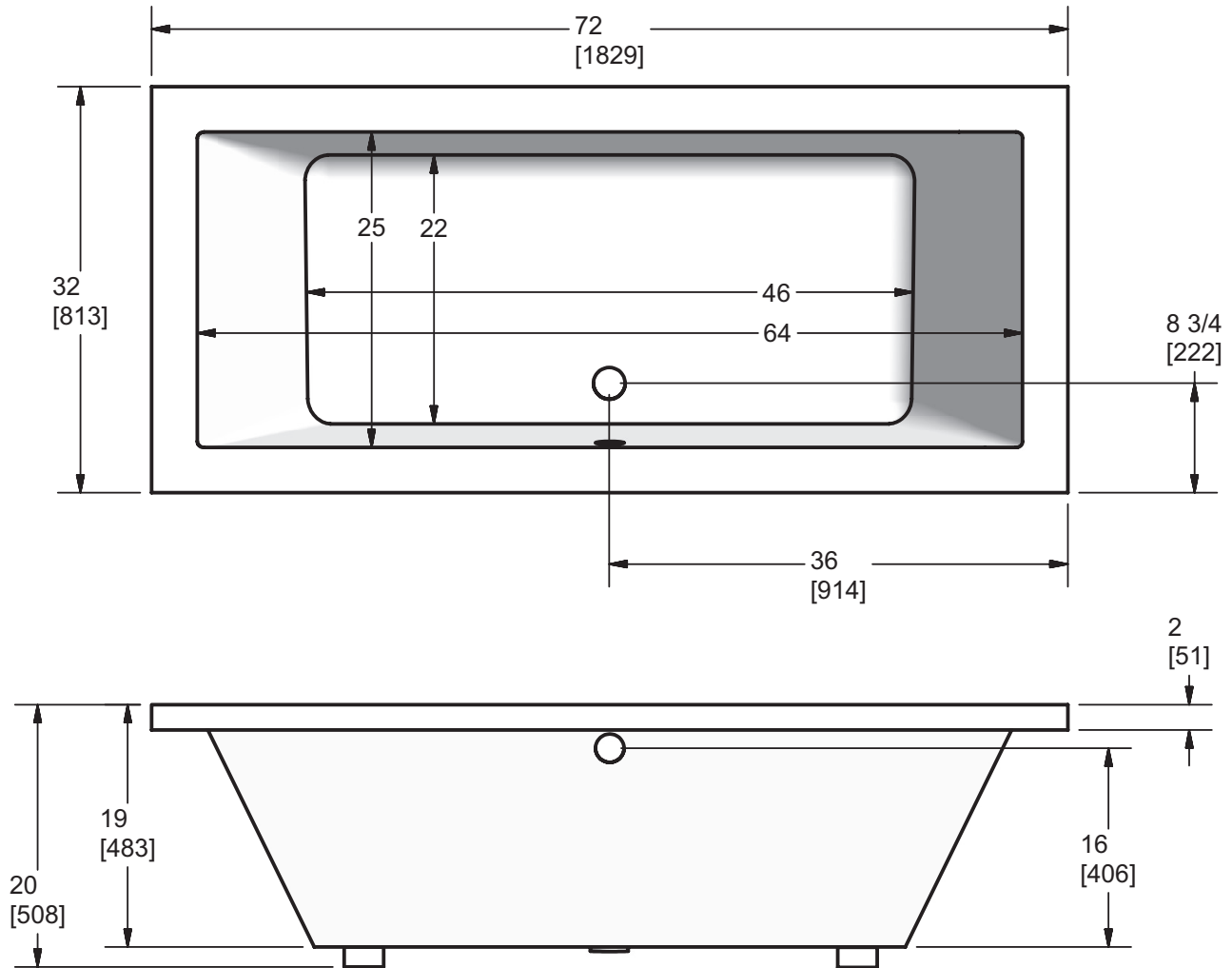
4150 Spallumcheen Dr, Armstrong BC V0E 1B6

Ph. (800) 871-8311 (250) 546-3196 Fax (250) 546-3170



Model AC3620

ACRYLIC



Keypad Location on Deck
 Same Side as Pump (L/R)
 Size: 5.75" X 1.75"
 (Keypad available when paired
 with Enhanced Bathing Options)

Measurement tolerances $\pm 1/4"$ (6.3 mm)

All bathing fixtures comply with the applicable Canadian Standards.

For installation procedures, please refer to instructions included with each unit.

This sheet approximately describes products and equipment manufactured or supplied by Hytec Plumbing Products. Because of ongoing efforts to improve both design and quality, products and equipment actually furnished may differ without prior notice.



Hytec Plumbing Products

(Division of Kohler Canada Co.)

4150 Spallumcheen Dr, Armstrong BC V0E 1B6

Ph. (800) 871-8311 (250) 546-3196 Fax (250) 546-3170