



Model AC3617

**Model AC3617**

**Length: 60 1/4" (1530mm)**

**Width: 32 1/8" (816mm)**

**Height: 19" (483mm)**

**Shipping Weight: 66 lbs. (30 Kg)**

**Water to Overflow: 58 gallons (220 Litres)**

**Minimum Water Capacity: 28 gallons (106 Litres)**

**Materials: Manufactured from a one-piece acrylic sheet, reinforced with fibreglass.**

Hytec has designed a unique bath that allows drop-in, flush mount or undermount installation. The clean straight lines of the bath allow it to be the one selected for multiple design applications.

**Standard Features:**

Easy to clean high gloss surface

Chip and mar resistant

Sloping backrest

End drain

**Colours:**

Standard: White, Almond (Bone) or Biscuit

Optional: Kohler Colours

**Other Configurations:**

Whirlpool (CMJ6)

3/4" Flange (M1)

Enhanced whirlpool (PE)

Enhanced whirlpool w/heater (PEH)

Enhanced whirlpool w/chromatherapy (PECE)

Enhanced whirlpool w/heater & chromatherapy (PEHCE)

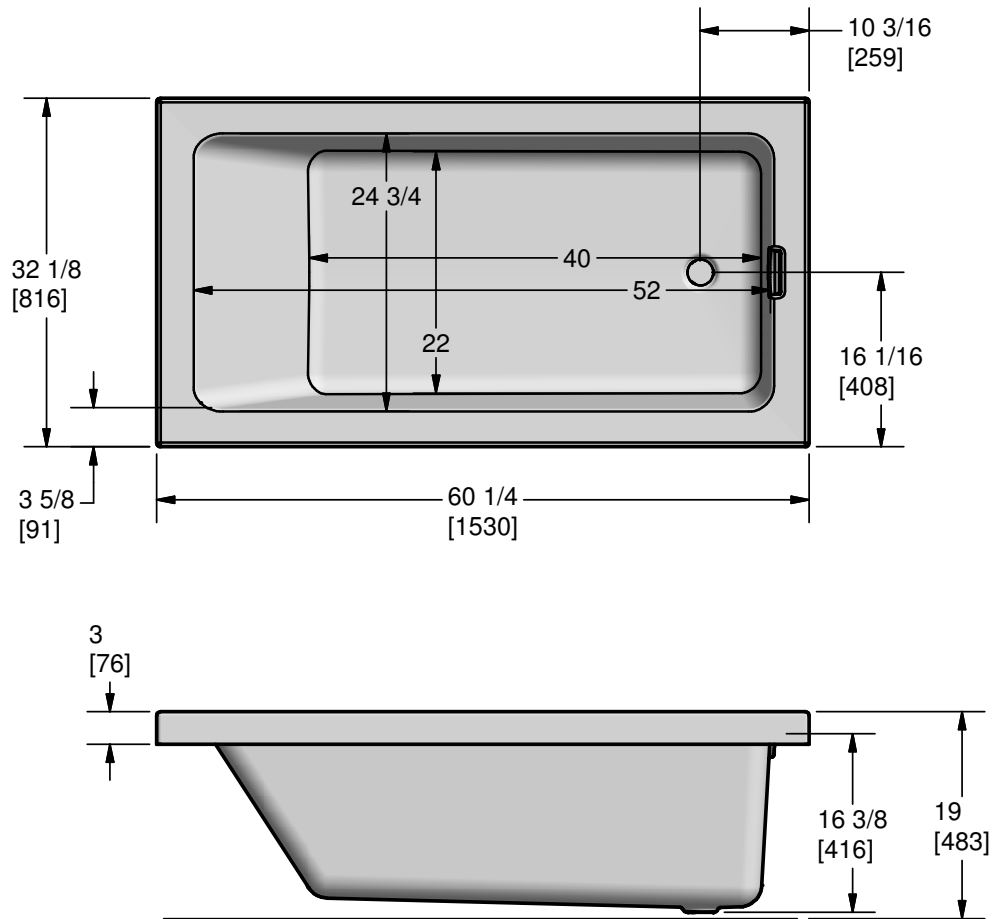
BubbleAir whirlpool (BT)

BubbleAir whirlpool w/chromatherapy (BTCE)

All products manufactured by Hytec are covered by a comprehensive five-year limited warranty from the date of sale to the original owner. See the Hytec Bathing Fixtures List Price Book for further details.

**Hytec Plumbing Products**

(Division of Kohler Canada Co.)  
4150 Spallumcheen Dr, Armstrong BC V0E 1B6  
Ph. (800) 871-8311 (250) 546-3196 Fax (250)  
546-3170



Keypad Location  
 Size: 5.75" X 1.75"  
 Centred on Side Deck  
 (Keypad available when paired  
 with Enhanced Bathing Options)

Measurement tolerances  $\pm 1/4"$  (6.3mm)

All bathing fixtures comply with the applicable Canadian Standards.

EPA TSCA Title VI Compliant Product

For installation instructions, please refer to HYTEC.CA

This sheet approximately describes products and equipment manufactured or supplied by Hytec Plumbing Products. Because of ongoing efforts to improve both design and quality, products and equipment actually furnished may differ without prior notice.

**Hytec Plumbing Products**

(Division of Kohler Canada Co.)  
 4150 Spallumcheen Dr, Armstrong BC V0E 1B6  
 Ph. (800) 871-8311 (250) 546-3196 Fax (250)  
 546-3170

