

ACRYLIC



Model AC3495ALCMJ6

Model AC3495L/R

Length: 59 3/4" (1518 mm)

Width: 34" (864 mm)

Height: 22 3/4" (578 mm)

Shipping Weight: 110 lbs. (50 Kg)

Water to Overflow: 43 gallons (195 Litres)

Minimum Water Capacity: 33 gallons
(151 Litres)**Materials:** Manufactured from a one-piece acrylic sheet, reinforced with fiberglass.

The Tecstar acrylic bath allows builders and renovators to upgrade to a true 34" wide bath without sacrificing value. This affordable 5' bath features built in comfort, timeless design and unmatched quality.

This bath can be combined with 3934L and 3934R System Connects side walls and the 3663 System Connects back wall for a complete bath/shower unit.

Standard Features:

- Integral apron
- Easy to clean high gloss surface
- Chip and mar resistant
- Moulded-in floor pattern
- Sloping backrests

Colours:

- Standard: White, Almond (Bone) or Biscuit
- Optional: Kohler Colours

Other Configurations:

- Without apron (XL/XR)
- Wood apron (PL/PR)
- Removable access panel (AL/AR)
- Whirlpool (ALCMJ6/ARCMJ6)
- Whirlpool without apron (XLCMJ6/XRCMJ6)
- Whirlpool w/wood apron (PLCMJ6/PRCMJ6)

All products manufactured by Hytec are covered by a comprehensive five-year limited warranty from the date of sale to the original owner. See the Hytec Bathing Fixtures List Price Book for further details.

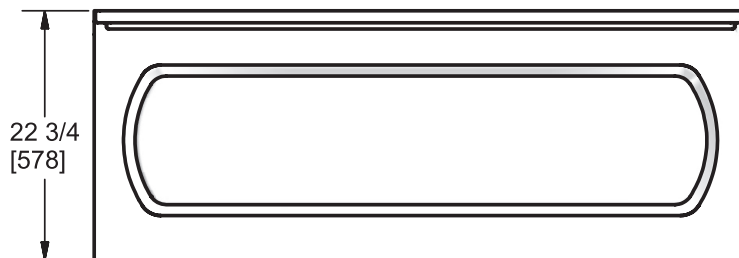
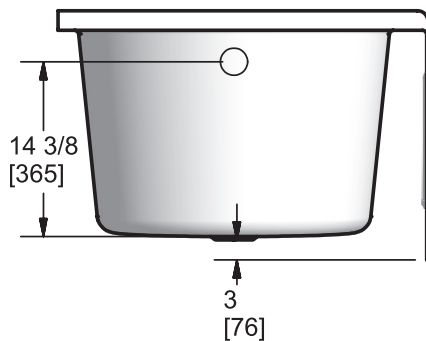
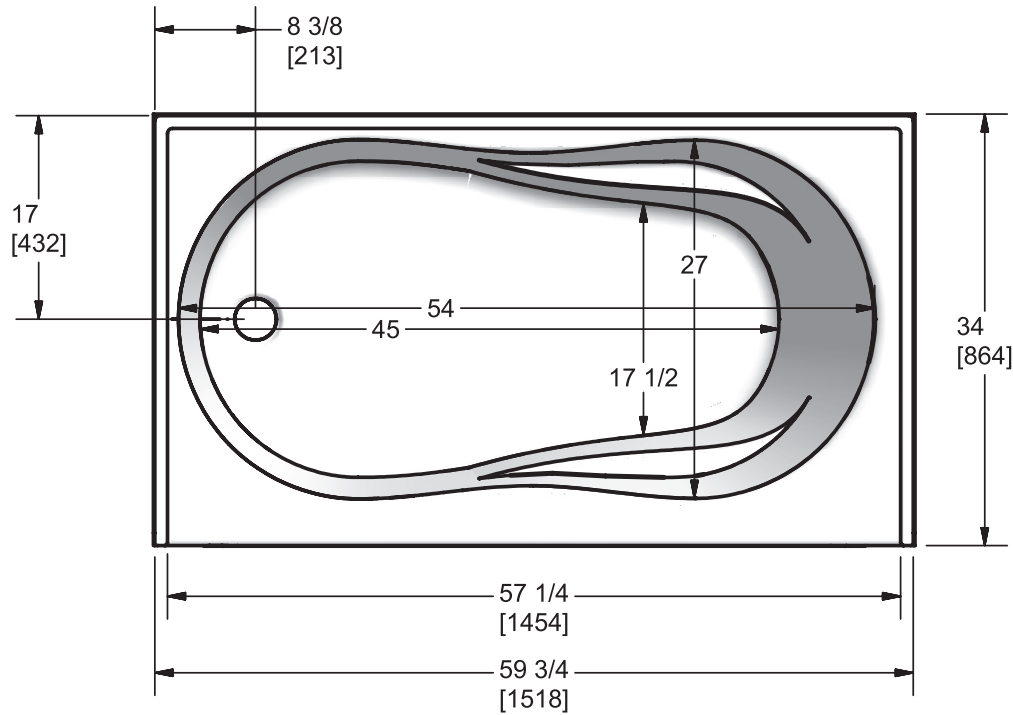
Hytec Plumbing Products

(Division of Kohler Canada Co.)

4150 Spallumcheen Dr, Armstrong BC V0E 1B6

Ph. (800) 871-8311 (250) 546-3196 Fax (250) 546-3170

ACRYLIC



Measurement tolerances $\pm 1/4"$ (6.3 mm)

All bathing fixtures comply with the applicable Canadian Standards.

For installation procedures, please refer to instructions included with each unit.

This sheet approximately describes products and equipment manufactured or supplied by Hytec Plumbing Products. Because of ongoing efforts to improve both design and quality, products and equipment actually furnished may differ without prior notice.



Hytec Plumbing Products

(Division of Kohler Canada Co.)

4150 Spallumcheen Dr, Armstrong BC V0E 1B6

Ph. (800) 871-8311 (250) 546-3196 Fax (250) 546-3170