

## ACRYLIC



Model 14810

**Model 14810**  
(Right-hand Plumbing, Left-hand Seat)

**Model 14811**  
(Left-hand Plumbing, Right-hand Seat)

**Length:** 59 7/8" (1521 mm)

**Width:** 32" (813 mm)

**Height:** 22 3/8" (569 mm)

**Shipping Weight:** 120 lbs. (54.5 Kg)

**Materials:** Manufactured from a one-piece acrylic sheet, reinforced with fibreglass.

This versatile 5' receptor features an integral seat available in both left- and right-hand versions. Ideal for new construction or renovation, the Calona receptor offers a unique design solution to most bathrooms.

**Standard Features:**

- Generous seat
- Toiletry ledge
- Easy to clean high gloss surface
- Chip and mar resistant
- Raised tiling flange
- End drain
- Moulded-in floor pattern

**Options:**

- Left or right-hand seat available

**Colours:**

- Standard: White, Almond (Bone) or Biscuit
- Optional: Kohler Colours

All products manufactured by Hytec are covered by a comprehensive five-year limited warranty from the date of sale to the original owner. See the Hytec Bathing Fixtures List Price Book for further details.

**Hytec Plumbing Products**

(Division of Kohler Canada Co.)

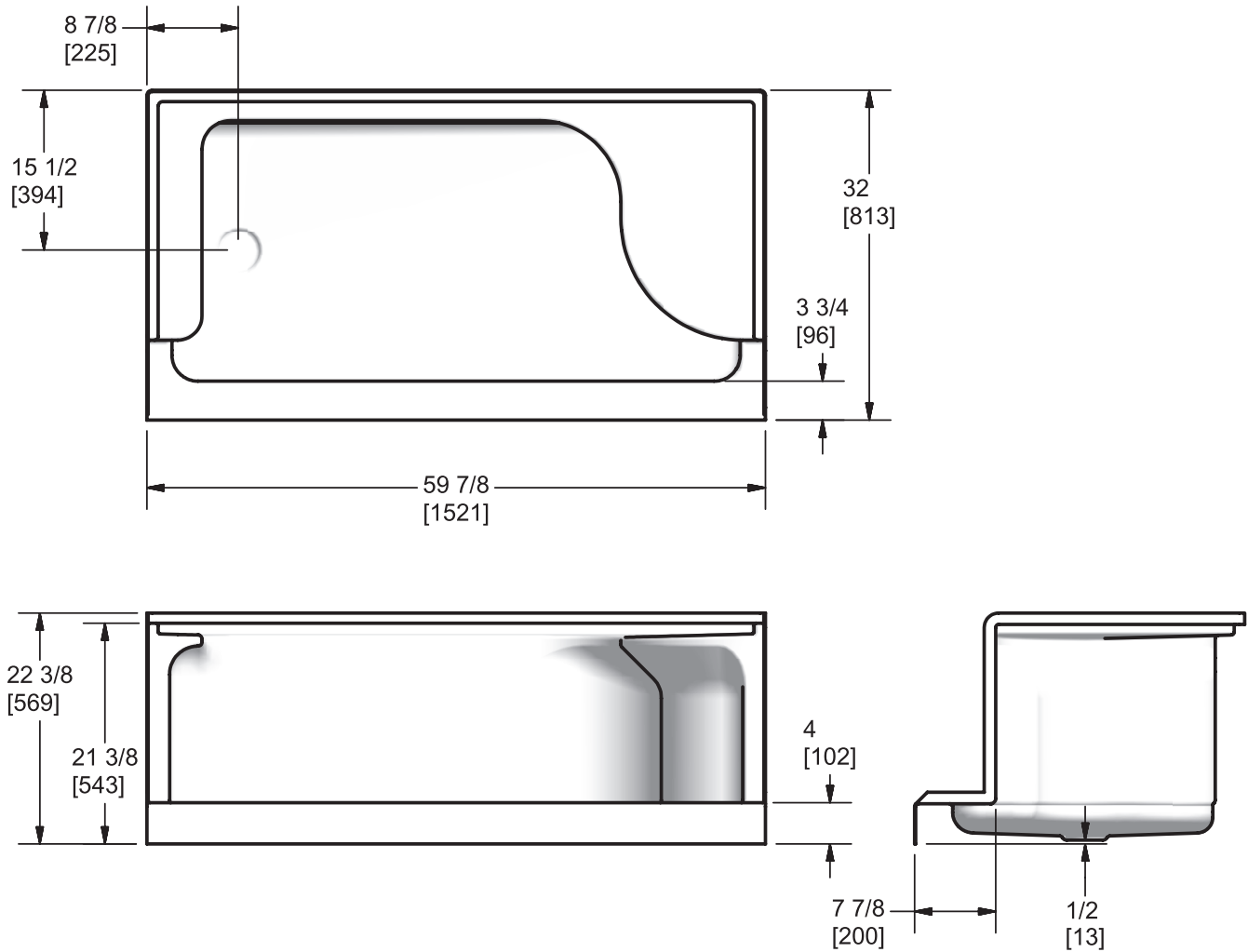
4150 Spallumcheen Dr, Armstrong BC V0E 1B6

Ph. (800) 871-8311 (250) 546-3196 Fax (250) 546-3170



Model 14810/11

ACRYLIC



Measurement tolerances  $\pm 1/4"$  (6.3 mm)

All bathing fixtures comply with the applicable Canadian Standards.

For installation procedures, please refer to instructions included with each unit.

This sheet approximately describes products and equipment manufactured or supplied by Hytec Plumbing Products. Because of ongoing efforts to improve both design and quality, products and equipment actually furnished may differ without prior notice.



**Hytec Plumbing Products**

(Division of Kohler Canada Co.)

4150 Spallumcheen Dr, Armstrong BC V0E 1B6

Ph. (800) 871-8311 (250) 546-3196 Fax (250) 546-3170