



Model 6642

Model 6642
(Right-hand Plumbing)

Model 6643
(Left-hand Plumbing)

Length: 66" (1676 mm)
Width: 34 7/8" (886 mm)
Height: 78 1/4" (1988 mm)

Shipping Weight: 160 lbs. (72.6 Kg)
Water to Overflow: 53 gallons (241 Litres)

Materials: Gelcoat finish reinforced with fibreglass.

This popular bath/shower design, with its luxurious oversized bathing-well, is now available in a 5.5' model.

Standard Features:

- Easy to clean high gloss surface
- Chip and mar resistant
- Moulded-in floor pattern
- Lumbar support backrest
- Upper and lower toiletry shelves
- Clear acrylic grip rail
- Extended apron for above floor rough-in

Colours:

- Standard: White, Almond (Bone) or Biscuit
- Optional: Kohler Colours

Other Configurations:

- 2-piece knockdown (KD)
- Whirlpool (CMJ6)

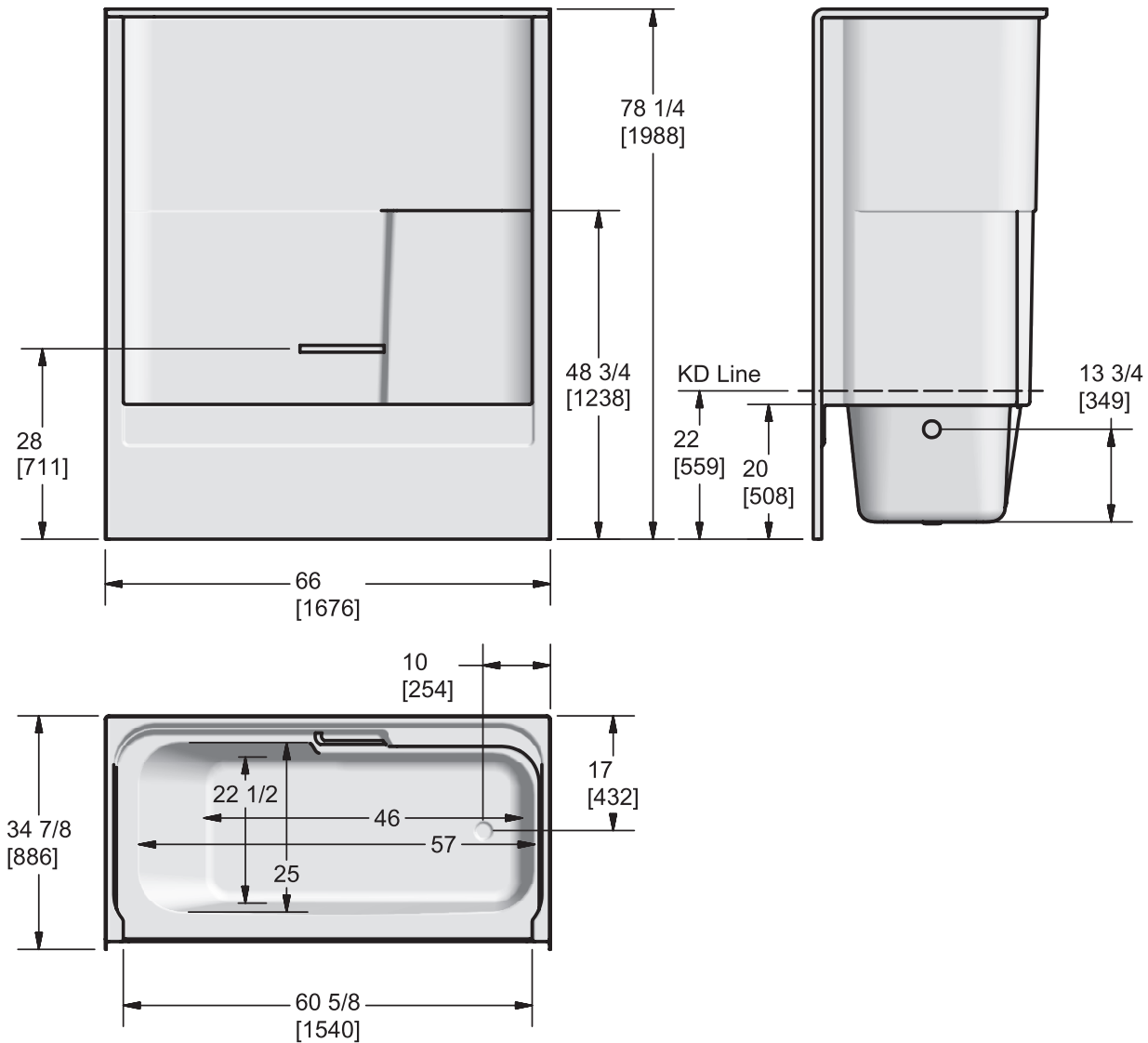
All products manufactured by Hytec are covered by a comprehensive five-year limited warranty from the date of sale to the original owner. See the Hytec Bathing Fixtures List Price Book for further details.

Hytec Plumbing Products

(Division of Kohler Canada Co.)
4150 Spallumcheen Dr, Armstrong BC V0E 1B6
Ph. (800) 871-8311 (250) 546-3196 Fax (250) 546-3170



GELCOAT



Measurement tolerances ± 1/4" (6.3 mm)

All bathing fixtures comply with the applicable Canadian Standards.

For installation procedures, please refer to instructions included with each unit.

This sheet approximately describes products and equipment manufactured or supplied by Hytec Plumbing Products. Because of ongoing efforts to improve both design and quality, products and equipment actually furnished may differ without prior notice.

Hytec Plumbing Products

(Division of Kohler Canada Co.)

4150 Spallumcheen Dr, Armstrong BC V0E 1B6

Ph. (800) 871-8311 (250) 546-3196 Fax (250) 546-3170

