

**Model 6094**

Model 6094
(Left-hand Seat)

Model 6095
(Right-hand Seat)

Width: 60" (1524 mm)

Depth: 31 1/4" (794 mm)

Height: 77 3/4" (1975 mm)

Shipping Weight: 145 lbs. (65.8 Kg)

Materials: Gelcoat finish reinforced with fibreglass.

Attractive and easy to install in renovation applications or new construction, the Briward features a generous comfortable seat, sloped back wall and a shampoo ledge in just the right place.

Standard Features:

- Easy to clean high gloss surface
- Chip and mar resistant
- Moulded-in floor pattern

Colours:

- Standard: White, Almond (Bone) or Biscuit.
- Optional: Kohler Colours

Other Configurations:

- 2-piece knockdown (KD)

All products manufactured by Hytec are covered by a comprehensive five-year limited warranty from the date of sale to the original owner. See the Hytec Bathing Fixtures List Price Book for further details.

Hytec Plumbing Products

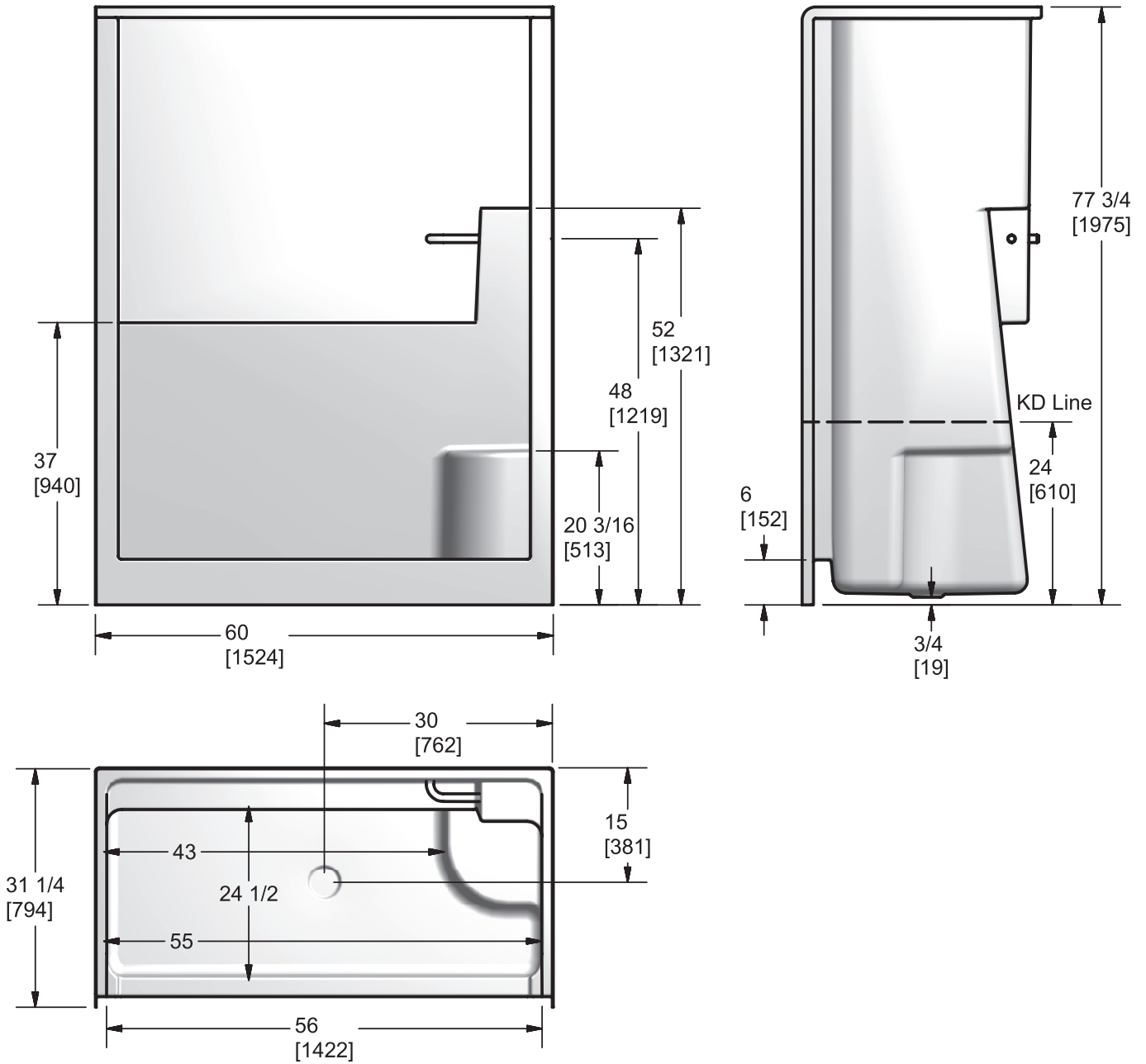
(Division of Kohler Canada Co.)

4150 Spallumcheen Dr, Armstrong BC V0E 1B6

Ph. (800) 871-8311 (250) 546-3196 Fax (250) 546-3170



GELCOAT



Measurement tolerances ± 1/4" (6.3 mm)

All bathing fixtures comply with the applicable Canadian Standards.

For installation procedures, please refer to instructions included with each unit.

This sheet approximately describes products and equipment manufactured or supplied by Hytec Plumbing Products. Because of ongoing efforts to improve both design and quality, products and equipment actually furnished may differ without prior notice.

Hytec Plumbing Products

(Division of Kohler Canada Co.)

4150 Spallumcheen Dr, Armstrong BC V0E 1B6

Ph. (800) 871-8311 (250) 546-3196 Fax (250) 546-3170

