



Model 4836L-F2

Model 4836L-F2

(Right Hand Seat, Left Hand Bar)

Model 4836R-F2

(Left Hand Seat, Right Hand Bar)

Width: 48" (1220mm)**Depth: 40³/₄" (1034mm)****Height: 78¹/₄" (1991mm)****Shipping Weight: 165 lbs. (75 Kg)****Materials: Gelcoat finish reinforced with fibreglass.****Grab bar: 18 gauge, 1¹/₄" (32 mm) diameter stainless steel; 1¹/₂" (38 mm) standoff**

Designed to comply with CSA B651 Barrier Free requirements for Shower with Seat, which allow a more conventional threshold height. Our threshold design enables this shower to be installed for wheelchair access if desired.

Standard Features:

- Moulded-in floor pattern
- Stainless steel grab bars
- Easy to clean, chip resistant surface
- Factory installed folding seat

Options:

- Stainless steel shower curtain rod (installed)
- Stainless steel soap dish

Colours:

- Standard: White, Almond (Bone) or Biscuit
- Optional: Kohler Colours

Other Configurations:

- 2-piece knockdown (KD) version not available when folded seat (F2) is installed

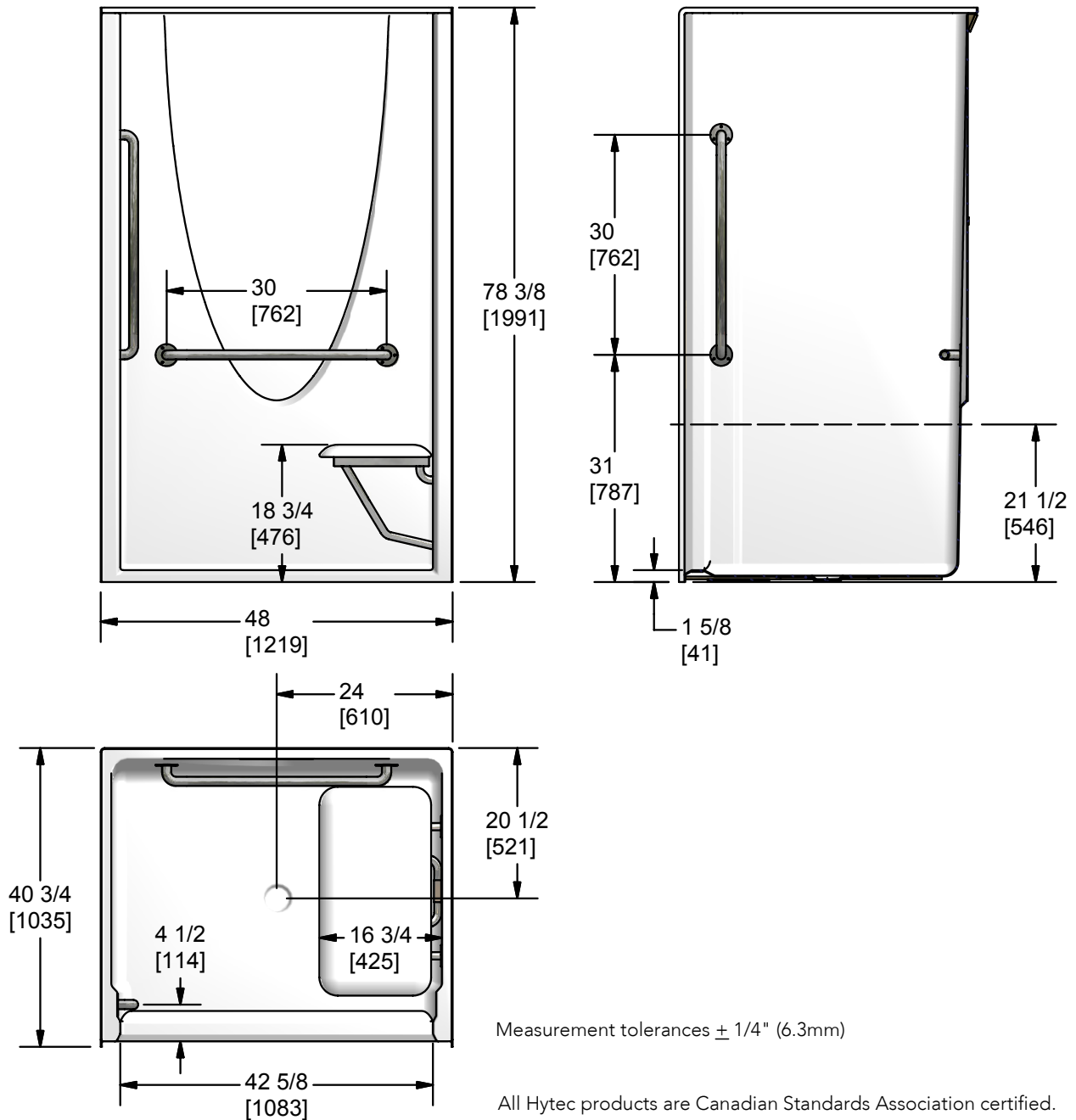
All products manufactured by Hytec are covered by a comprehensive five-year limited warranty from the date of sale to the original owner. See the Hytec Bathing Fixtures List Price Book for further details.

Hytec Plumbing Products

(Division of Kohler Canada Co.)

4150 Spallumcheen Dr, Armstrong BC V0E 1B6

Ph. (800) 871-8311 (250) 546-3196 Fax (250) 546-3170



All Hytec products are Canadian Standards Association certified.

For installation procedures, please refer to instructions included with each unit.

This sheet approximately describes products and equipment manufactured or supplied by Hytec Plumbing Products. Because of ongoing efforts to improve both design and quality, products and equipment actually furnished may differ without prior notice.

Hytec Plumbing Products

(Division of Kohler Canada Co.)
 4150 Spallumcheen Dr, Armstrong BC V0E 1B6
 Ph. (800) 871-8311 (250) 546-3196 Fax (250) 546-3170

