



Model 4824

Model 4824  
(Right hand plumbing)

Model 4825  
(Left hand plumbing)

Length: 43 1/4" (1099mm)

Width: 49 1/4" (1251mm)

Height: 76 3/8" (1940mm)

Shipping Weight: 139lbs. (63Kg)

**Materials:** Gelcoat finish reinforced with fibreglass.

Unique kneewall design creates a feeling of space when fitted with a glass partition. Designed to easily integrate with your whirlpool or bath deck, creating a unique custom bath/shower combination. Perfect for the master suite.

**Standard Features:**

- ° Kneewall for glass partition
- ° Integral seat
- ° Easy to clean high gloss surface
- ° Chip and mar resistant
- ° Moulded-in floor pattern

**Colours:**

- ° Standard: White, Almond (Bone) or Biscuit.
- ° Optional: Kohler Colours

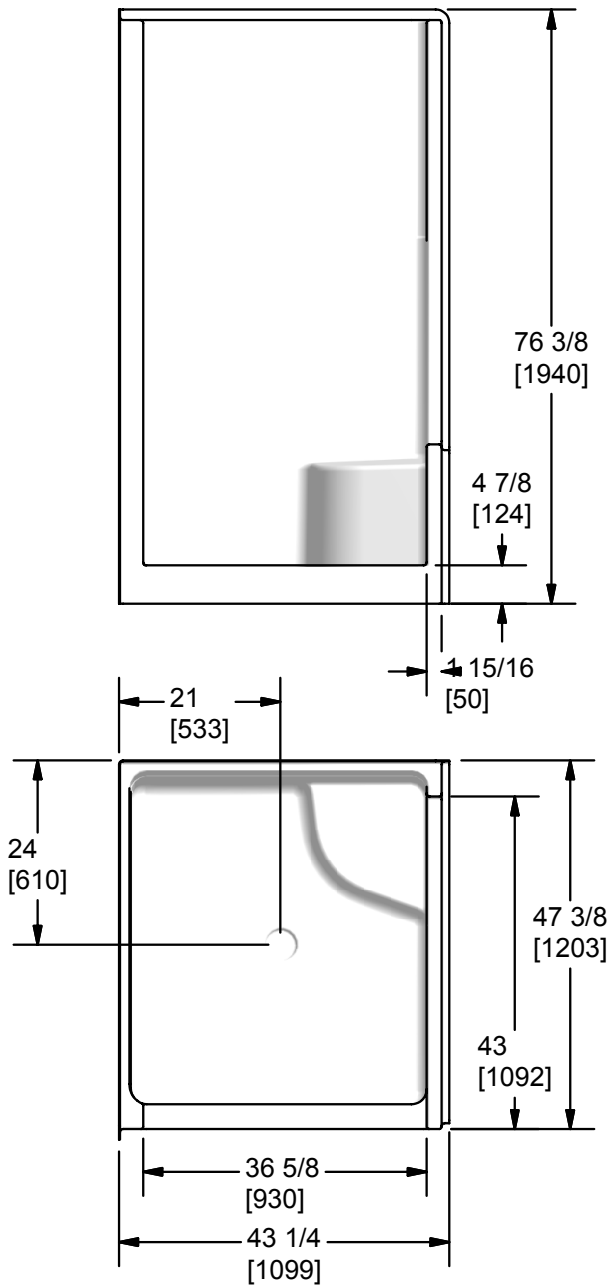
All products manufactured by Hytec are covered by a comprehensive five-year limited warranty from the date of sale to the original owner. See the Hytec Bathing Fixtures List Price Book for further details.

**Hytec Plumbing Products**

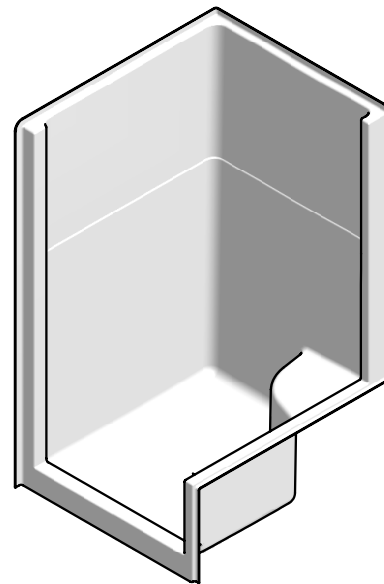
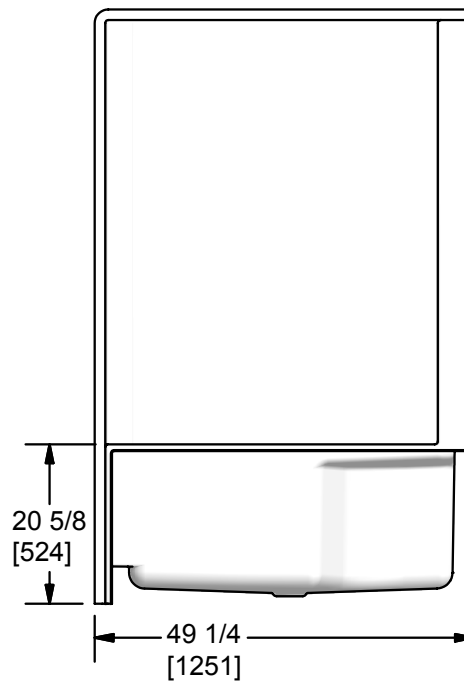
(Division of Kohler Canada Co.)

4150 Spallumcheen Dr, Armstrong BC V0E 1B6

Ph. (800) 871-8311 (250) 546-3196 Fax (250) 546-3170



Measurement tolerances  $\pm 1/4"$  (6.3mm)



All Hytec products are Canadian Standards Association certified.

For installation procedures, please refer to instructions included with each unit.

This sheet approximately describes products and equipment manufactured or supplied by Hytec Plumbing Products. Because of ongoing efforts to improve both design and quality, products and equipment actually furnished may differ without prior notice.

**Hytec Plumbing Products**

(Division of Kohler Canada Co.)  
 4150 Spallumcheen Dr, Armstrong BC V0E 1B6  
 Ph. (800) 871-8311 (250) 546-3196 Fax (250) 546-3170

