



Model 3636N

Model 3636N**Width:** 36 3/4" (933 mm)**Depth:** 36 3/4" (933 mm)**Height:** 78 1/2" (1994 mm)**Shipping Weight:** 102 lbs. (46.3 Kg)**Materials:** Gelcoat finish reinforced with fibreglass.

The space saving design of our neo-angle shower stalls provides for a multitude of fixture options for any bathroom.

Standard Features:

- Easy to clean high gloss surface
- Chip and mar resistant
- Moulded-in floor pattern
- Large toiletry shelf
- Pillars for added strength
- Accepts right- or left-hand plumbing

Colours:

- Standard: White, Almond (Bone) or Biscuit
- Optional: Kohler Colours

Other Configurations:

- 2-piece knockdown (KD)

All products manufactured by Hytec are covered by a comprehensive five-year limited warranty from the date of sale to the original owner. See the Hytec Bathing Fixtures List Price Book for further details.

Hytec Plumbing Products

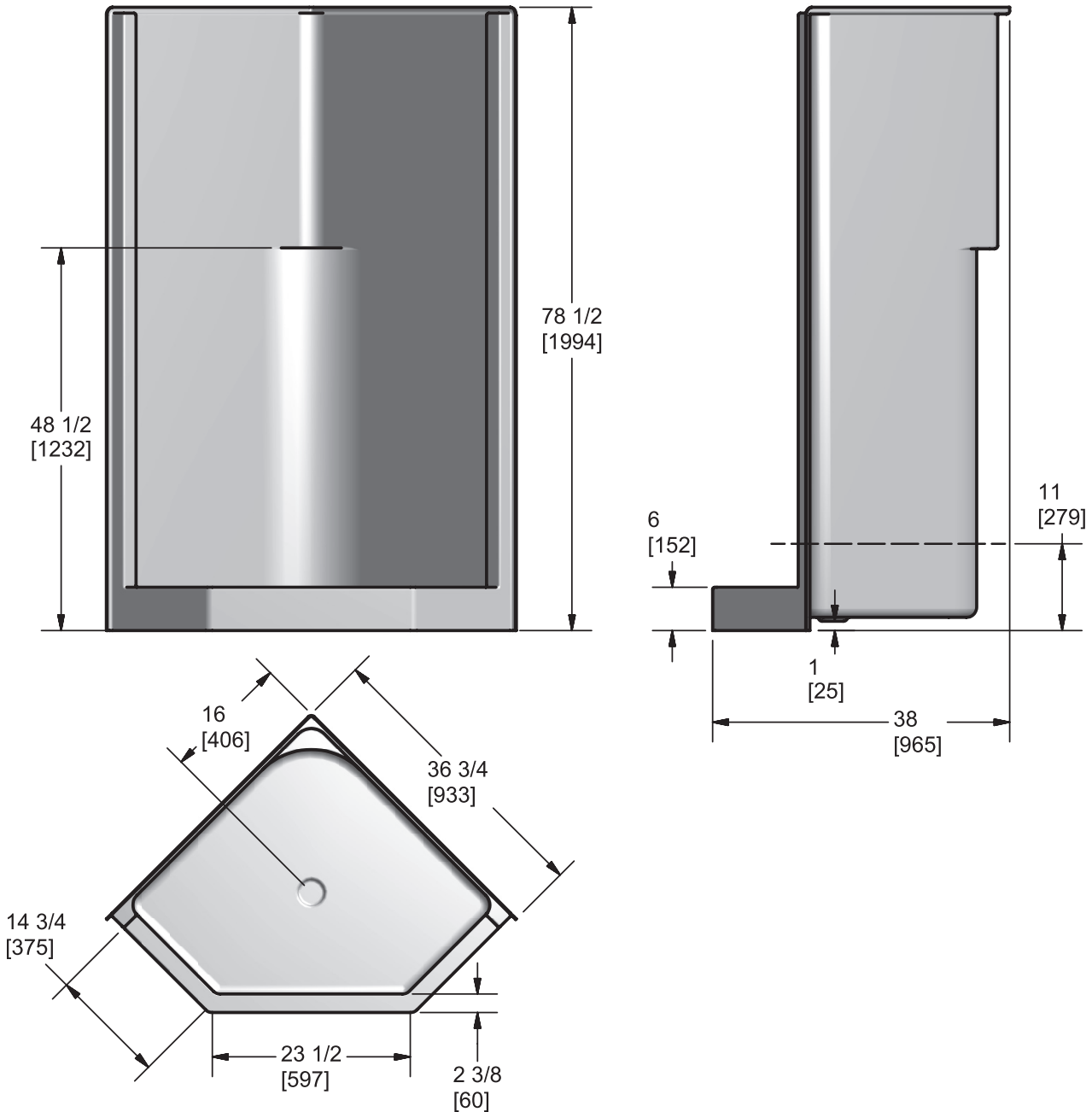
(Division of Kohler Canada Co.)

4150 Spallumcheen Dr, Armstrong BC V0E 1B6

Ph. (800) 871-8311 (250) 546-3196 Fax (250) 546-3170



GELCOAT



Measurement tolerances $\pm 1/4"$ (6.3 mm)

All bathing fixtures comply with the applicable Canadian Standards.

For installation procedures, please refer to instructions included with each unit.

This sheet approximately describes products and equipment manufactured or supplied by Hytec Plumbing Products. Because of ongoing efforts to improve both design and quality, products and equipment actually furnished may differ without prior notice.

Hytec Plumbing Products

(Division of Kohler Canada Co.)

4150 Spallumcheen Dr, Armstrong BC V0E 1B6

Ph. (800) 871-8311 (250) 546-3196 Fax (250) 546-3170

