



Model 3061

Model 3060
(Right-hand Plumbing)

Model 3061
(Left-hand Plumbing)

Length: 59 7/8" (1521 mm)

Width: 31" (787 mm)

Height: 21 7/16" (545 mm)

Shipping Weight: 83 lbs. (37.6 Kg)

Water To Over Flow: 42 gallons (187 Litres)

Minimum Water Capacity: 35 gallons
(160 Litres)

Materials: Gelcoat finish reinforced
with fibreglass.

The economical Hystar bath is ideal for new construction or renovations, and its extended apron makes above-floor rough-in installation easy.

Standard Features:

- Easy to clean high gloss surface
- Chip, stain and mar resistant
- Moulded-in floor pattern
- Sloping backrest
- Integral armrest
- Raised integral tile flange
- Extended apron for above floor rough-in

Options:

- System Connects™ Wallset

Colours:

- Standard: White, Almond (Bone) or Biscuit
- Optional: Kohler Colours

Note: Whirlpool option not available.

All products manufactured by Hytec are covered by a comprehensive five-year limited warranty from the date of sale to the original owner. See the Hytec Bathing Fixtures List Price Book for further details.

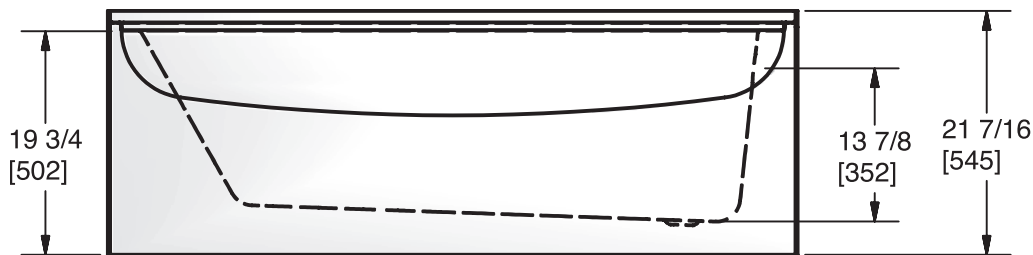
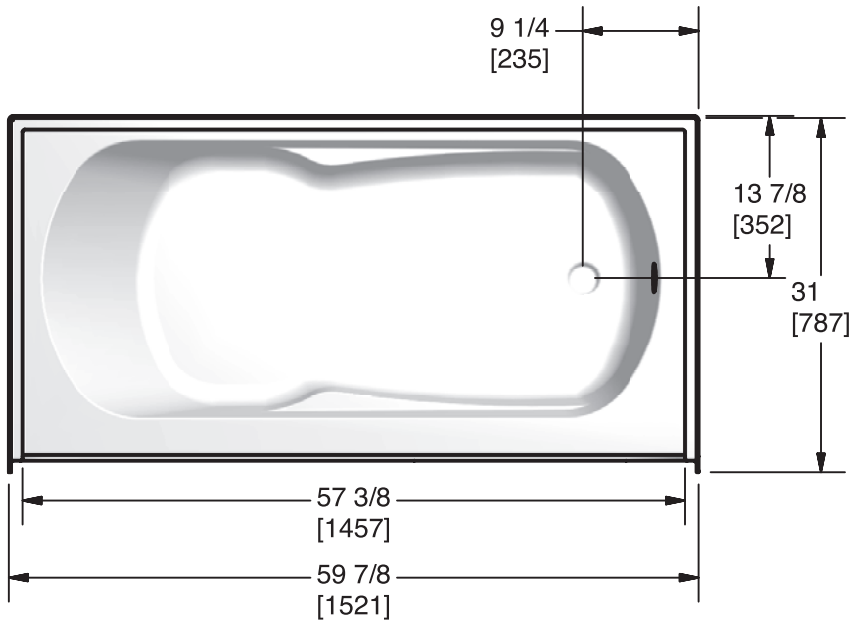
Hytec Plumbing Products

(Division of Kohler Canada Co.)

4150 Spallumcheen Dr, Armstrong BC V0E 1B6

Ph. (800) 871-8311 (250) 546-3196 Fax (250) 546-3170

GELCOAT



Measurement tolerances $\pm 1/4"$ (6.3 mm)

All bathing fixtures comply with the applicable Canadian Standards.

For installation procedures, please refer to instructions included with each unit.

This sheet approximately describes products and equipment manufactured or supplied by Hytec Plumbing Products. Because of ongoing efforts to improve both design and quality, products and equipment actually furnished may differ without prior notice.



Hytec Plumbing Products

(Division of Kohler Canada Co.)

4150 Spallumcheen Dr, Armstrong BC V0E 1B6

Ph. (800) 871-8311 (250) 546-3196 Fax (250) 546-3170