

## ACRYLIC



Model AC3266L

**Model AC3266L/R****Length:** 66" (1676 mm)**Width:** 32" (813 mm)**Height:** 22 1/2" (572 mm)**Shipping Weight:** 110 lbs. (49.9 Kg)**Water to Overflow:** 45 gallons (205 Litres)**Minimum Water Capacity:** 32 gallons (145 Litres)**Materials:** Manufactured from a one-piece acrylic sheet, reinforced with fiberglass.

Our Gemstar Whirlpool/Bath Series is a popular choice for most housing needs.

All configurations can be combined with 3932L and 3932R System Connects side walls and the 3966 System Connects back wall for a complete bath/shower unit.

**Standard Features:**

- Easy to clean high gloss surface
- Chip and mar resistant
- Moulded-in floor pattern
- Lumbar support backrest
- Contoured integral armrests
- Integral tiling flange
- Extended apron for above floor rough-in

**Colours:**

- Standard: White, Almond (Bone) or Biscuit
- Optional: Kohler Colours

**Other Configurations:**

- Removable access panel (AL/AR)
- Without apron (XL/XR)
- Wood apron (PL/PR)
- Whirlpool (LCMJ6/RCMJ6)
- Whirlpool w/access panel (ALCMJ6/ARCMJ6)
- Whirlpool w/wood apron (PLCMJ6/PRCMJ6)
- Whirlpool without apron (XLCMJ6/XRCMJ6)

All products manufactured by Hytec are covered by a comprehensive five-year limited warranty from the date of sale to the original owner. See the Hytec Bathing Fixtures List Price Book for further details.

**Hytec Plumbing Products**

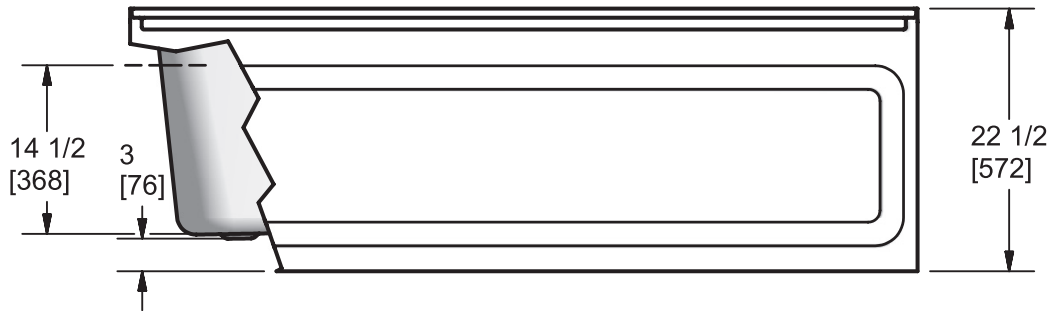
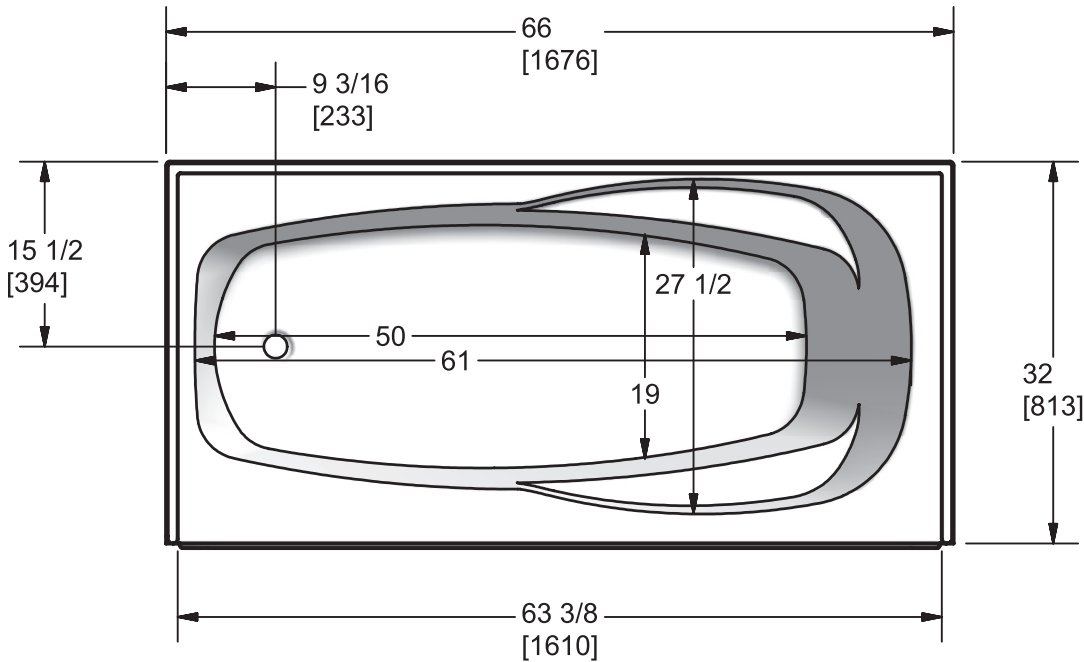
(Division of Kohler Canada Co.)

4150 Spallumcheen Dr, Armstrong BC V0E 1B6

Ph. (800) 871-8311 (250) 546-3196 Fax (250) 546-3170



ACRYLIC



Measurement tolerances  $\pm 1/4"$  (6.3 mm)

All bathing fixtures comply with the applicable Canadian Standards.

For installation procedures, please refer to instructions included with each unit.

This sheet approximately describes products and equipment manufactured or supplied by Hytec Plumbing Products. Because of ongoing efforts to improve both design and quality, products and equipment actually furnished may differ without prior notice.



**Hytec Plumbing Products**

(Division of Kohler Canada Co.)

4150 Spallumcheen Dr, Armstrong BC V0E 1B6

Ph. (800) 871-8311 (250) 546-3196 Fax (250) 546-3170