

## A C R Y L I C



Model 53990F

**Model 53990S (Straight Apron)**  
**Model 53990F (Fluted Apron)**

Length: 60" (1524mm)  
 Width: 34" (864mm)  
 Height: 25" (635mm)

Shipping Weight: 200 lbs. (91 Kg)  
 Water to Overflow: 61 gallons ( 231 Litres)

Materials: Bathing well is manufactured from a one-piece acrylic sheet, reinforced with fibreglass.



With the choice of a soft, curved apron or a more contemporary, straight apron, this 60" x 34" freestanding Ellesmere™ bath offers plenty of options. There is a wider deck along one side to simplify faucet installation.

**Standard Features:**

- ° Easy to clean high gloss surface
- ° Chip and mar resistant
- ° Moulded-in floor pattern
- ° Centre Drain
- ° Ample deck space
- ° Choice of three apron designs (Fluted, Straight or Elegant)

**Colours:**

- ° Bath available in White or Biscuit
- ° Bath Apron available in Kohler colours

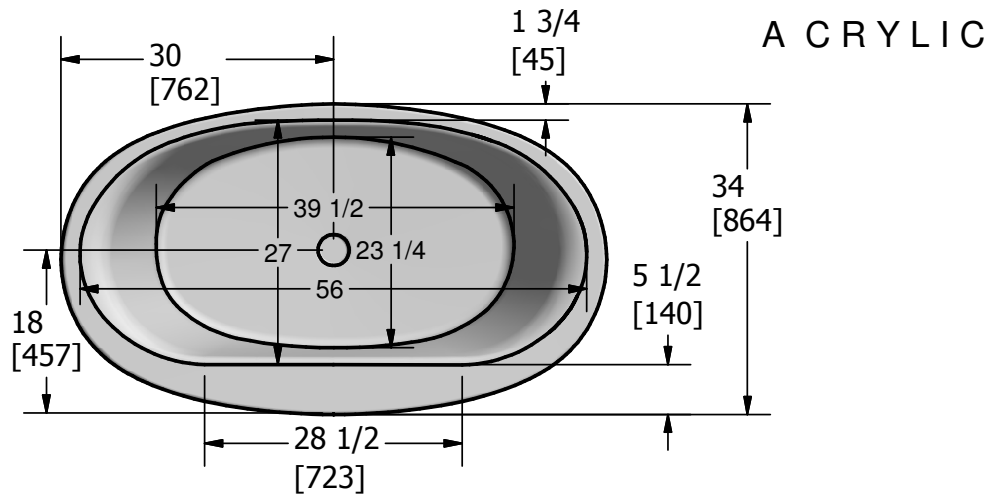
**Other Configurations:**

- ° Drop-in bath (no apron) - See AC53995

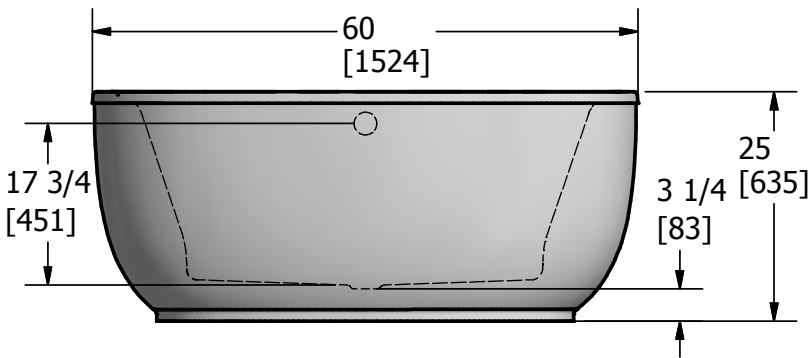
All products manufactured by Hytec are covered by a comprehensive five-year limited warranty from the date of sale to the original owner. See the Hytec Bathing Fixtures List Price Book for further details.

**Hytec Plumbing Products**

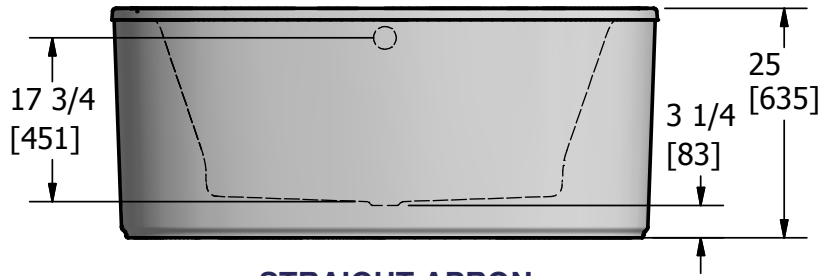
(Division of Kohler Canada Co.)  
 4150 Spallumcheen Dr, Armstrong BC V0E 1B6  
 Ph. (800) 871-8311 (250) 546-3196 Fax (250)  
 546-3170



ACRYLIC



FLUTED APRON



STRAIGHT APRON

All Hytec products are certified to the applicable Canadian Standards.

EPA TSCA Title VI Compliant Product

For installation instructions, please refer to HYTEC.CA

This sheet approximately describes products and equipment manufactured or supplied by Hytec Plumbing Products. Because of ongoing efforts to improve both design and quality, products and equipment actually furnished may differ without prior notice.

Measurement tolerances  $\pm 1/4"$  (6.3mm)

**Hytec Plumbing Products**

(Division of Kohler Canada Co.)  
 4150 Spallumcheen Dr, Armstrong BC V0E 1B6  
 Ph. (800) 871-8311 (250) 546-3196 Fax (250) 546-3170

