

Model ACR3799

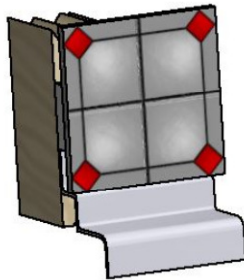
Model ACR3799

Length: 66" (1676mm)
Width: 36" (914mm)
Overall Height: 5 7/8" (149mm)
Threshold Height: 4 3/8" (111mm)

Shipping Weight: 74 lbs (34Kg)

Materials: Manufactured from a one-piece acrylic sheet, reinforced with fibreglass.

Double Flange - Standard



Hytec manufactures acrylic receptors to satisfy every bathroom design or decorating need. Single flange design allows for easy installation and finishing.

Standard Features:

Easy to clean high gloss surface
Chip and mar resistant
Moulded-in floor pattern
Wide threshold

Colours:

Standard: White, Almond (Bone)
or Biscuit
Optional: Kohler Colours

Options:

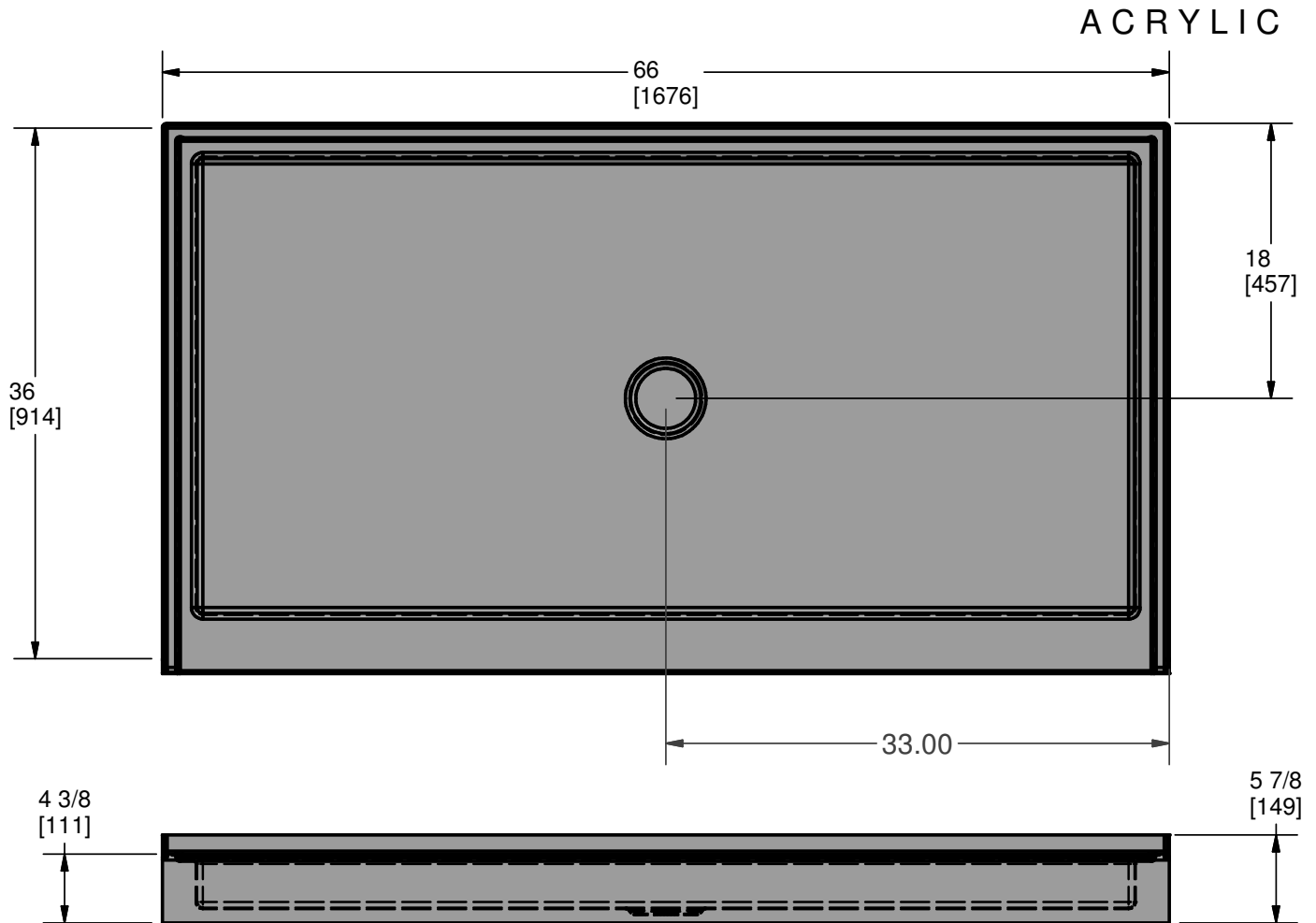
Low 3" threshold (LT)

All products manufactured by Hytec are covered by a comprehensive five-year limited warranty from the date of sale to the original owner. See the Hytec Bathing Fixtures List Price Book for further details.

Hytec Plumbing Products

(Division of Kohler Canada Co.)
4150 Spallumcheen Dr, Armstrong BC V0E 1B6
Ph. (800) 871-8311 (250) 546-3196 Fax (250)
546-3170

KENDALE™ RECEPTOR
Model Customer Spec ACR3799



Measurement tolerances $\pm 1/4"$ (6.3mm)

All bathing fixtures comply with the applicable Canadian Standards.

EPA TSCA Title VI Compliant Product.

For installation instructions, please refer to HYTEC.CA

This sheet approximately describes products and equipment manufactured or supplied by Hytec Plumbing Products. Because of ongoing efforts to improve both design and quality, products and equipment actually furnished may differ without prior notice.

Hytec Plumbing Products

(Division of Kohler Canada Co.)
 4150 Spallumcheen Dr, Armstrong BC V0E 1B6
 Ph. (800) 871-8311 (250) 546-3196 Fax (250)
 546-3170

