



Model ACR3792

Model ACR3792

Length: 48" (1219mm)
Width: 48" (1219mm)
Overall Height: 5 7/8" (149mm)
Threshold Height: 4 3/8" (111mm)

Shipping Weight: 72lbs (33Kg)

Materials: Manufactured from a one-piece acrylic sheet, reinforced with fibreglass.

Hytec manufactures acrylic receptors to satisfy every bathroom design or decorating need. Raised tiling flanges allow for professional installation and finishing.

Standard Features:

Easy to clean high gloss surface
Chip and mar resistant
Moulded-in floor pattern
Raised tile ledge
Wide threshold

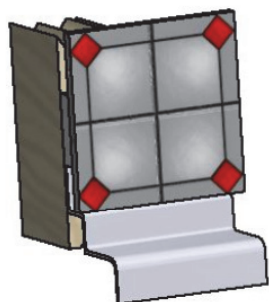
Colours:

Standard: White, Almond (Bone)
or Biscuit
Optional: Kohler Colours

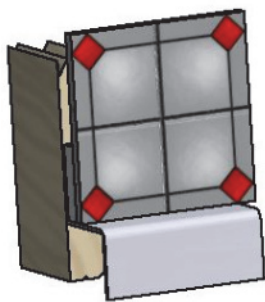
Options:

Low 3" threshold (LT)
Single flange (SF)

Double Flange - Standard



Single Flange (SF) - Option

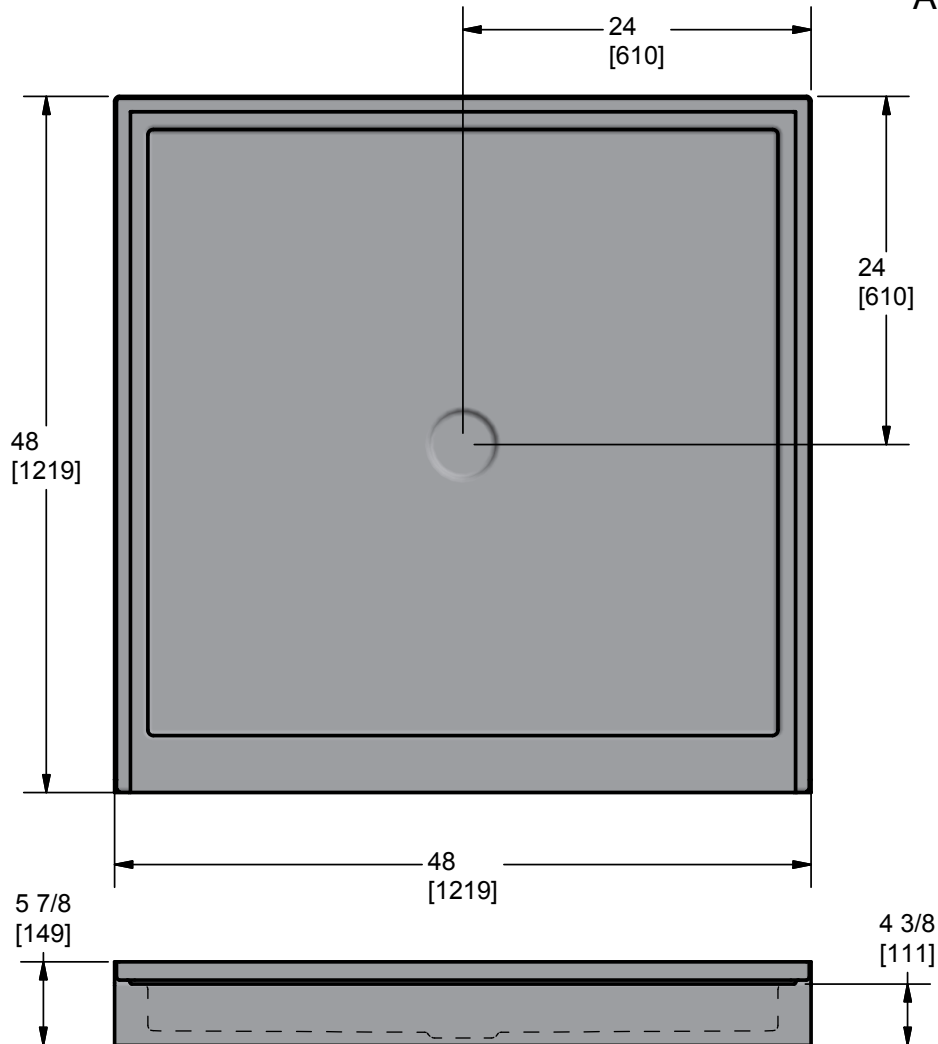


All products manufactured by Hytec are covered by a comprehensive five-year limited warranty from the date of sale to the original owner. See the Hytec Bathing Fixtures List Price Book for further details.

Hytec Plumbing Products

(Division of Kohler Canada Co.)
4150 Spallumcheen Dr, Armstrong BC V0E 1B6
Ph. (800) 871-8311 (250) 546-3196 Fax (250)
546-3170

ACRYLIC



Measurement tolerances $\pm 1/4"$ (6.3mm)

All bathing fixtures comply with the applicable Canadian Standards.

For installation procedures, please refer to instructions included with each unit.

This sheet approximately describes products and equipment manufactured or supplied by Hytec Plumbing Products. Because of ongoing efforts to improve both design and quality, products and equipment actually furnished may differ without prior notice.