



Model ACR3788

**Model ACR3788**

Length: 48" (1219mm)  
Width: 42" (1067mm)  
Overall Height: 5 7/8" (149mm)  
Threshold Height: 4 3/8" (111mm)

Shipping Weight: 63lbs (29Kg)

Materials: Manufactured from a one-piece acrylic sheet, reinforced with fibreglass.

Hytec manufactures acrylic receptors to satisfy every bathroom design or decorating need. Raised tiling flanges allow for professional installation and finishing.

**Standard Features:**

Easy to clean high gloss surface  
Chip and mar resistant  
Moulded-in floor pattern  
Raised tile ledge  
Wide threshold

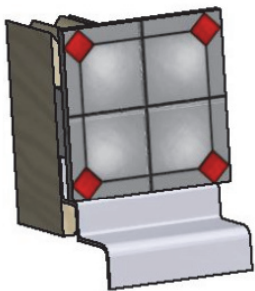
**Colours:**

Standard: White, Almond (Bone)  
or Biscuit  
Optional: Kohler Colours

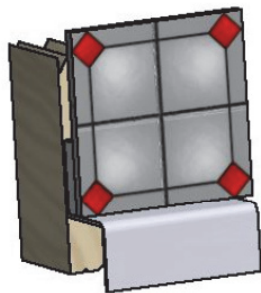
**Options:**

Single flange (SF)

Double Flange - Standard



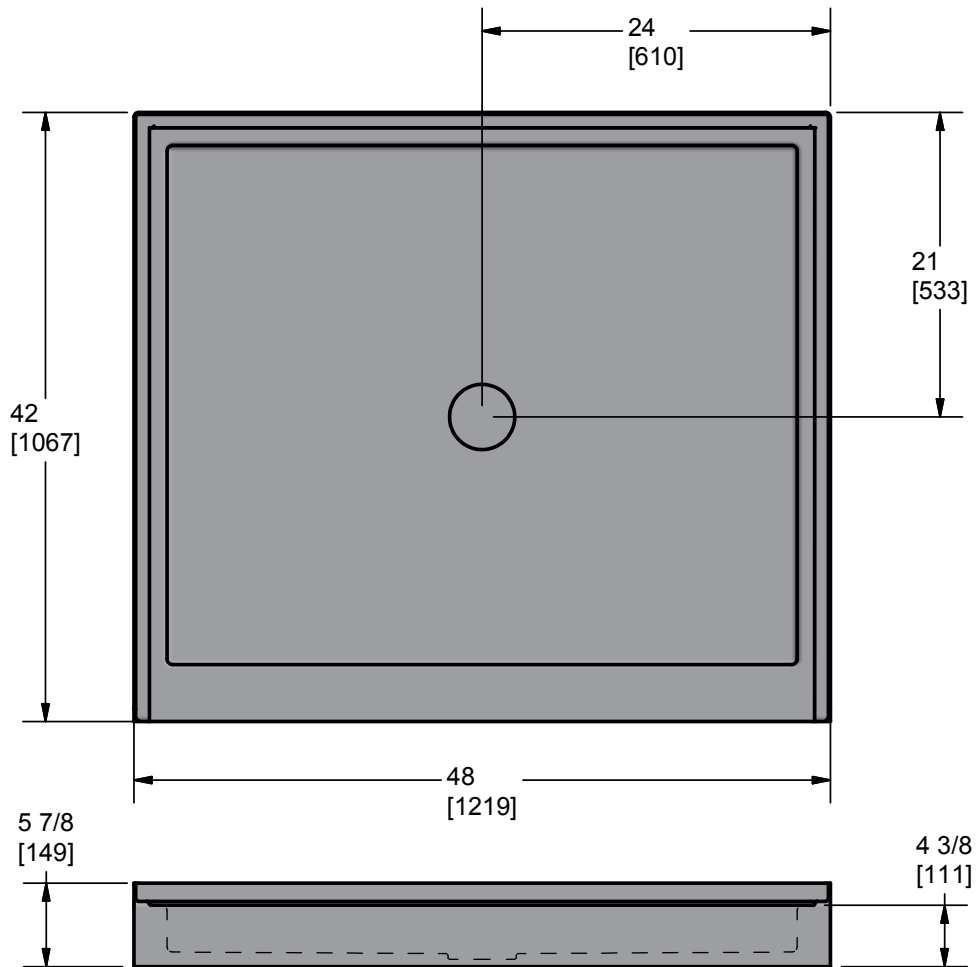
Single Flange (SF) - Option



All products manufactured by Hytec are covered by a comprehensive five-year limited warranty from the date of sale to the original owner. See the Hytec Bathing Fixtures List Price Book for further details.

**Hytec Plumbing Products**

(Division of Kohler Canada Co.)  
4150 Spallumcheen Dr, Armstrong BC V0E 1B6  
Ph. (800) 871-8311 (250) 546-3196 Fax (250)  
546-3170

**ACRYLIC**


Measurement tolerances  $\pm 1/4"$  (6.3mm)

All bathing fixtures comply with the applicable Canadian Standards.

For installation procedures, please refer to instructions included with each unit.

This sheet approximately describes products and equipment manufactured or supplied by Hytec Plumbing Products. Because of ongoing efforts to improve both design and quality, products and equipment actually furnished may differ without prior notice.

**Hytec Plumbing Products**

(Division of Kohler Canada Co.)  
 4150 Spallumcheen Dr, Armstrong BC V0E 1B6  
 Ph. (800) 871-8311 (250) 546-3196 Fax (250)  
 546-3170

**HYTEC**  
 A KOHLER COMPANY