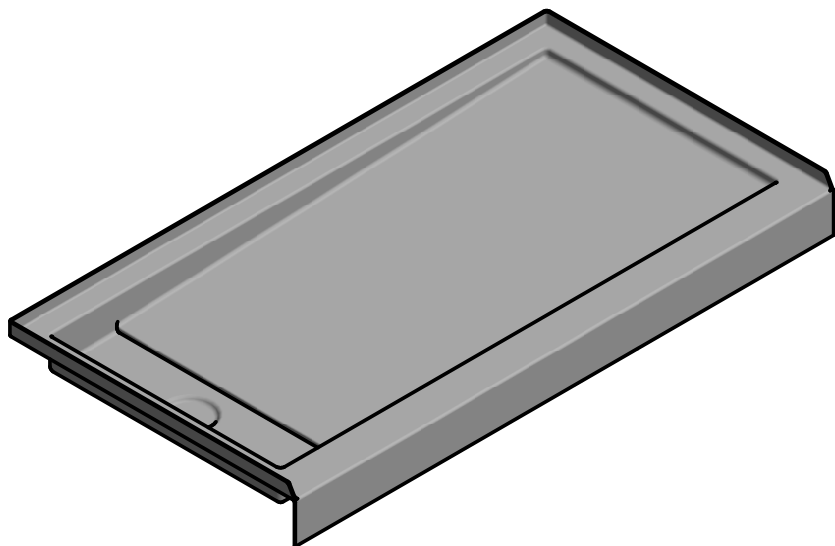


ACRYLIC



Model ACR3785SFTL

**Model ACR3785SFTL**  
(Single Flange, Trench Style, Left-hand Drain)

**Model ACR3785SFTR**  
(Single Flange, Trench Style, Right-hand Drain)

Length: 60" (1524mm)  
Width: 36" (914mm)  
Overall Height: 5 5/8" (143mm)  
Threshold Height: 4 3/8" (111mm)

Shipping Weight: 55lbs. (25Kg)

Materials: Manufactured from a one-piece acrylic sheet, reinforced with fibreglass.

Hytec manufactures acrylic receptors to satisfy every bathroom design or decorating need. Raised tiling flanges allow for professional installation and finishing.

**Standard Features:**

Easy to clean high gloss surface  
Chip and mar resistant  
Moulded-in floor pattern  
Wide threshold

**Colours:**

Standard: White, Almond (Bone)  
or Biscuit  
Optional: Kohler Colours

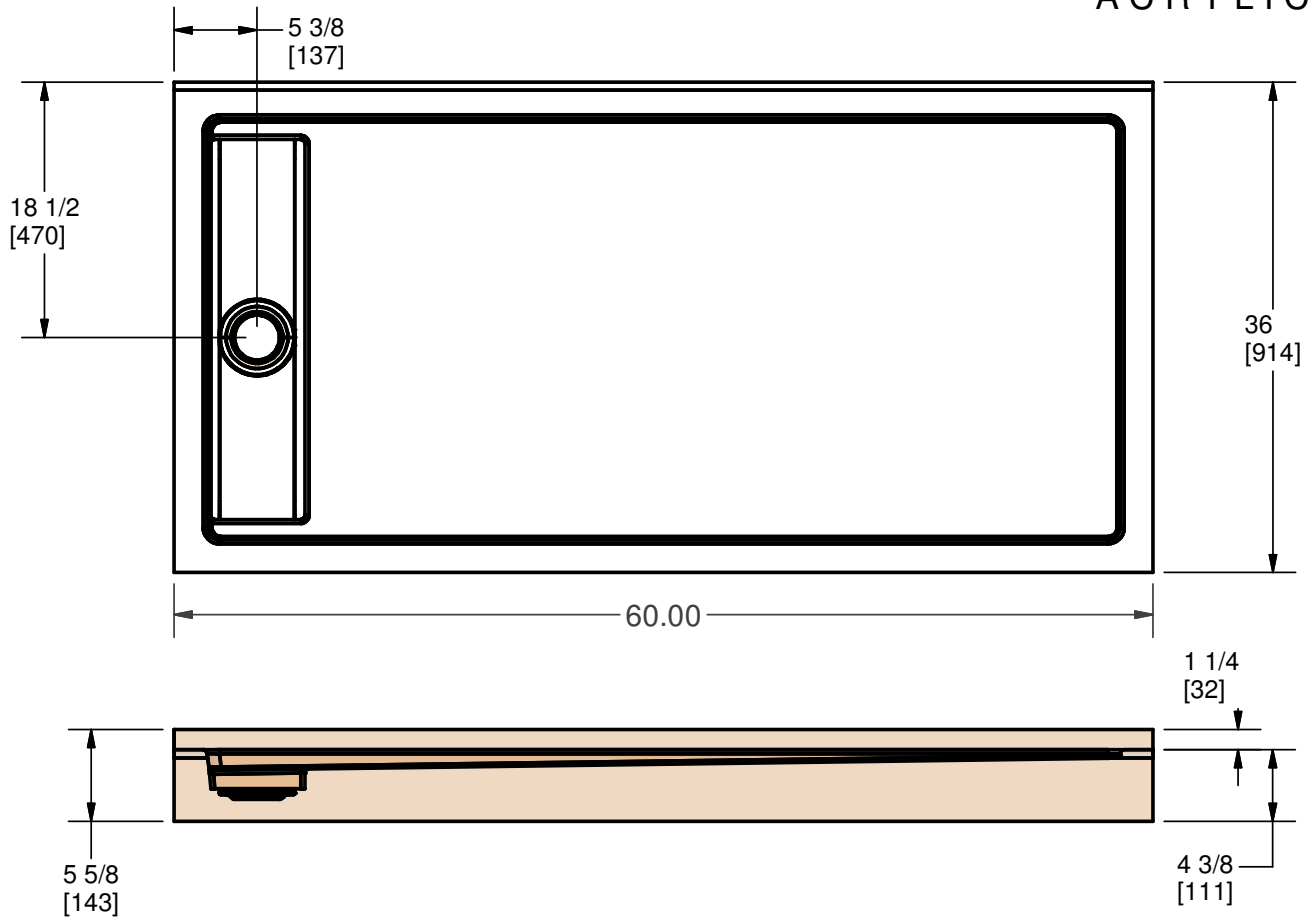
**Options:**

All products manufactured by Hytec are covered by a comprehensive five-year limited warranty from the date of sale to the original owner. See the Hytec Bathing Fixtures List Price Book for further details.

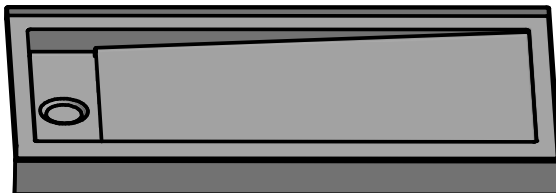
**Hytec Plumbing Products**

(Division of Kohler Canada Co.)  
4150 Spallumcheen Dr, Armstrong BC V0E 1B6  
Ph. (800) 871-8311 (250) 546-3196 Fax (250)  
546-3170

ACRYLIC



Drain dimensions subject to verification.



Measurement tolerances  $\pm 1/4"$  (6.3mm)

All Hytec products are certified to the applicable Canadian Standards.

EPA TSCA Title VI Compliant Product.

For installation instructions, please refer to HYTEC.CA

This sheet approximately describes products and equipment manufactured or supplied by Hytec Plumbing Products. Because of ongoing efforts to improve both design and quality, products and equipment actually furnished may differ without prior notice.