



Model ACR3770

**Model ACR3770**

Length: 60" (1524 mm)

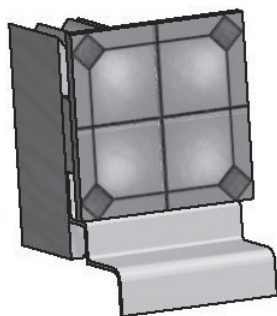
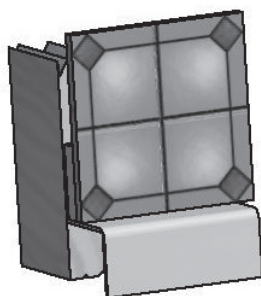
Width: 30" (762 mm)

Overall Height: 5 7/8" (149 mm)

Threshold Height: 4 3/8" (111mm)

Shipping Weight: 50 lbs. (23 Kg)

**Materials:** Manufactured from a one-piece acrylic sheet, reinforced with fibreglass.

**Double Flange - Standard****Single Flange (SF) - Option**

Hytec manufactures acrylic receptors to satisfy every bathroom design or decorating need. Raised tiling flanges allow for professional installation and finishing.

**Standard Features:**

- Easy to clean high gloss surface
- Chip and mar resistant
- Moulded-in floor pattern
- Raised tile ledge
- Wide threshold

**Colours:**

- Standard: White, Almond (Bone) or Biscuit
- Optional: Kohler Colours

**Options:**

- Low 3" threshold (LT)
- Extra low 2" threshold (See ACR20036)
- Single flange (SF)

All products manufactured by Hytec are covered by a comprehensive five-year limited warranty from the date of sale to the original owner. See the Hytec Bathing Fixtures List Price Book for further details.

**Hytec Plumbing Products**

(Division of Kohler Canada Co.)

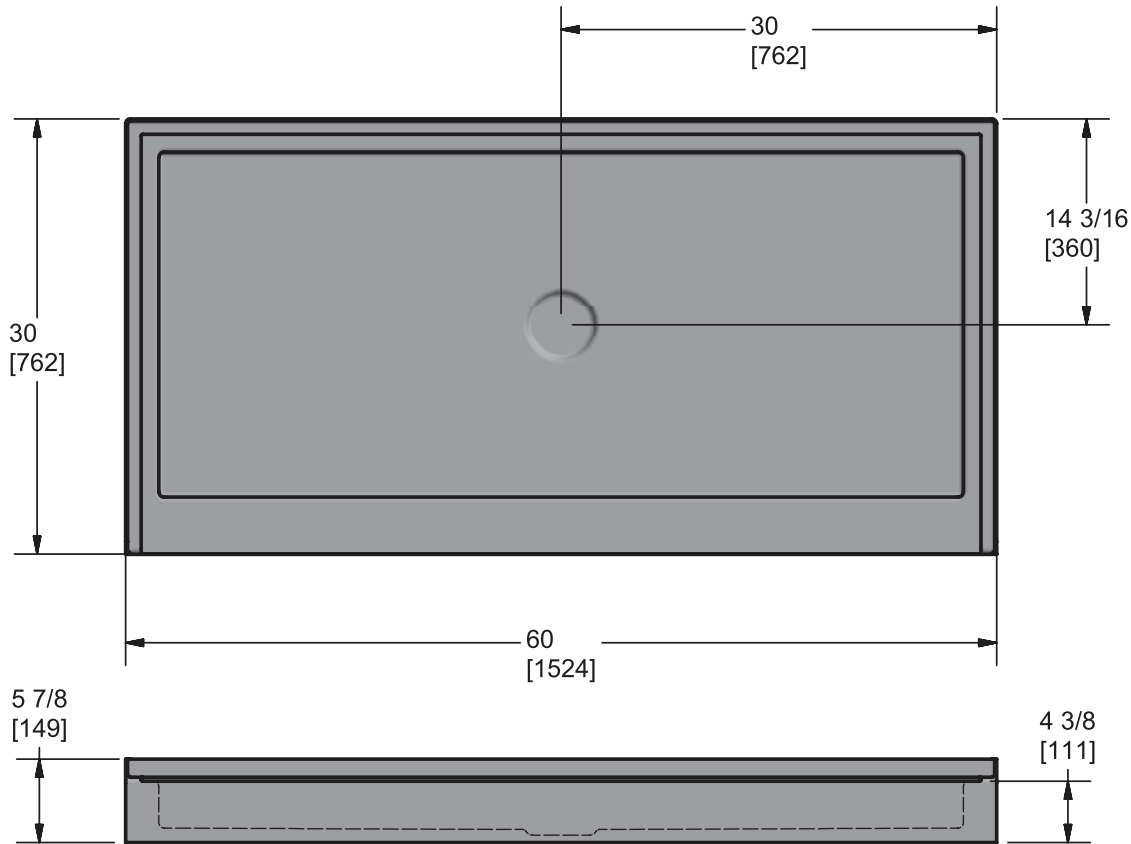
4150 Spallumcheen Dr, Armstrong BC V0E 1B6

Ph. (800) 871-8311 (250) 546-3196 Fax (250) 546-3170



Model ACR3770

ACRYLIC



Measurement tolerances ± 1/4" (6.3 mm)

All bathing fixtures comply with the applicable Canadian Standards.

For installation procedures, please refer to instructions included with each unit.

This sheet approximately describes products and equipment manufactured or supplied by Hytec Plumbing Products. Because of ongoing efforts to improve both design and quality, products and equipment actually furnished may differ without prior notice.



**Hytec Plumbing Products**  
 (Division of Kohler Canada Co.)  
 4150 Spallumcheen Dr, Armstrong BC V0E 1B6  
 Ph. (800) 871-8311 (250) 546-3196 Fax (250) 546-3170